

MATERIALS

HOUSING:
ALUMINUM 6061-T6, NICKEL PLATE PER AMS-C-26074

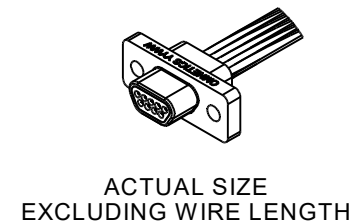
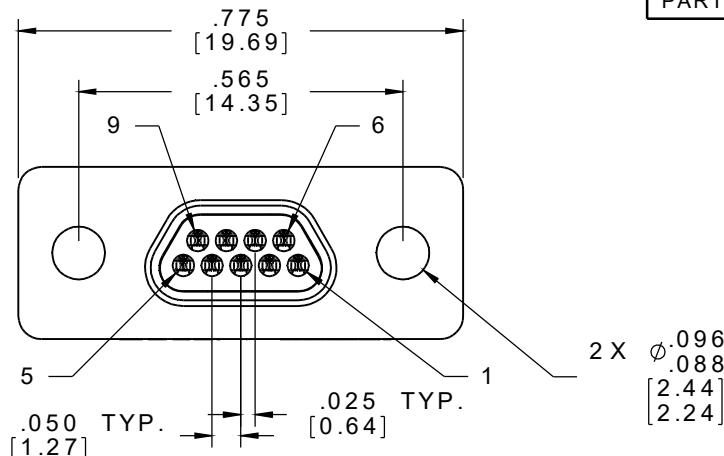
INSULATOR:
LIQUID CRYSTAL POLYMER (LCP) PER ASTM D5138

CONTACT:
BERYLLIUM COPPER PER ASTM B194, C17200, GOLD PLATED PER ASTM B488, (HARD GOLD) TYPE II CODE C, CLASS 1.27

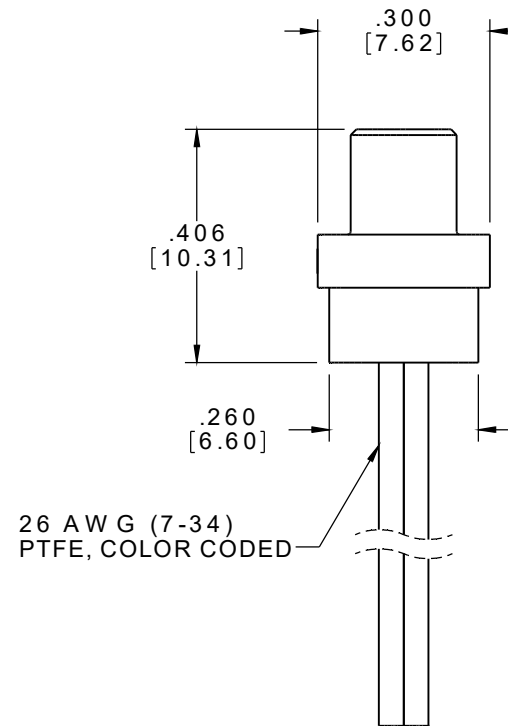
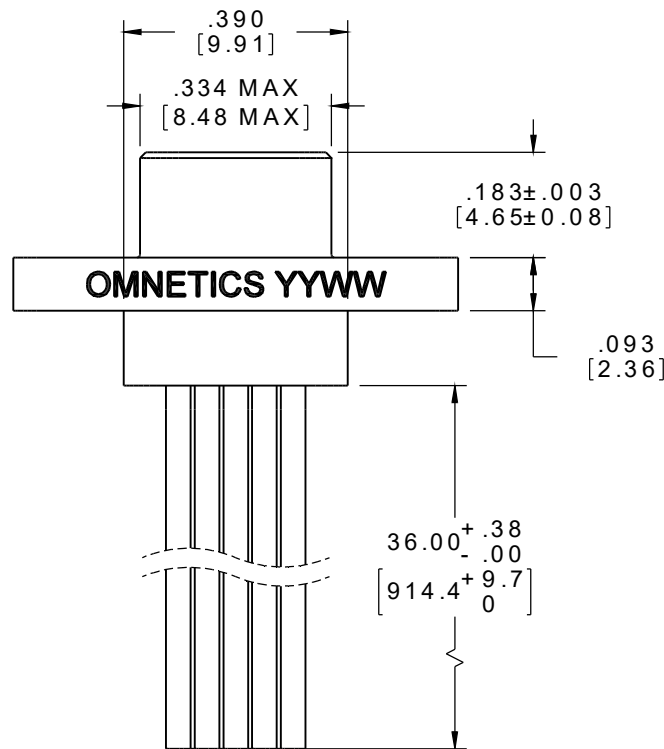
WIRE:
NEMA HP3 TYPE E, COLOR CODED IAW MIL-STD-681, SYSTEM 1, USING TEN SOLID REPEATING COLORS

HARDWARE:
AVAILABLE UPON REQUEST

PART NO.	A98014-009	REV	ECO	DATE	APP
		B	99319	03-01-13	JMJ



PIN #	COLOR
1	BLACK
2	BROWN
3	RED
4	ORANGE
5	YELLOW
6	GREEN
7	BLUE
8	VIOLET
9	GRAY



INTERNAL USE ONLY
SHEET 2 OF 2 IS
MANUFACTURING
LOADING DIAGRAM

RoHS

NOTE:

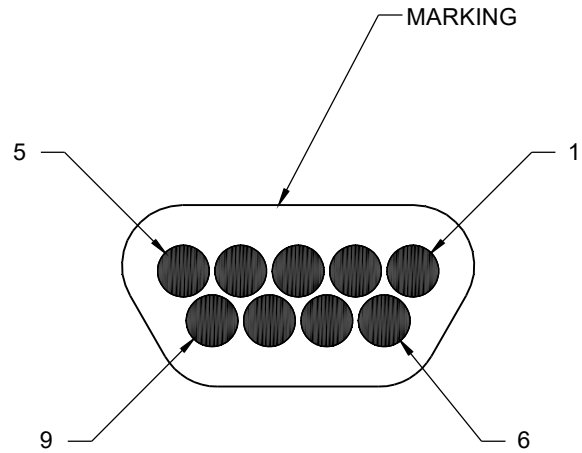
DIMENSIONS IN [] ARE IN MILLIMETERS UNLESS OTHERWISE NOTED AND ARE FOR REFERENCE ONLY

MMDP SLDW	THIRD ANGLE	THIS DRAWING CONTAINS CONFIDENTIAL AND PROPRIETARY INFORMATION WHICH IS THE PROPERTY OF OMNETICS CONNECTOR CORPORATION. THIS DOCUMENT MAY NOT, IN WHOLE OR IN PART, BE DUPLICATED, OR DISCLOSED FOR ANY PURPOSE, WITHOUT WRITTEN PERMISSION FROM OMNETICS CONNECTOR CORP.		
	-TOLERANCES-	DFTM. TLM	DATE	TITLE:
	UNLESS OTHERWISE NOTED	DATE	06-01-11	(9) PIN MALE
	DIMENSIONS IN INCHES	DATE		MICRO-D CONNECTOR
	2 PL DEC ± .01	CHK'D.	DATE	
	3 PL DEC ± .005	APP'D.	DATE	
	4 PL DEC ± .0005			
	ANGLES ± 1°			

OMNETICS
CONNECTOR CORPORATION
7260 COMMERCE CIRCLE EAST
MINNEAPOLIS, MN 55432
WWW.OMNETICS.COM

CAGE CODE 61873	
DWG NO. A98014-009	
SHEET 1 OF 2	REV B
SCALE: 3:1	

PART NO.	A98014-009	REV	ECO	DATE	APP
		B	99319	03-01-13	JMJ



PIN #	COLOR
1	BLACK
2	BROWN
3	RED
4	ORANGE
5	YELLOW
6	GREEN
7	BLUE
8	VIOLET
9	GRAY

RoHS

MMDP SLDW	THIRD ANGLE	THIS DRAWING CONTAINS CONFIDENTIAL AND PROPRIETARY INFORMATION WHICH IS THE PROPERTY OF OMNETICS CONNECTOR CORP. THIS DOCUMENT MAY NOT, IN WHOLE OR IN PART, BE DUPLICATED, OR DISCLOSED FOR ANY PURPOSE, WITHOUT WRITTEN PERMISSION FROM OMNETICS CONNECTOR CORP.		CAGE CODE 61873	
	-TOLERANCES- UNLESS OTHERWISE NOTED	DFTM. TLM	DATE 06-01-11	TITLE: (9) PIN MALE MICRO-D CONNECTOR	
	DIMENSIONS IN INCHES	CHK'D.	DATE	OMNETICS CONNECTOR CORPORATION	
	2 PL DEC ± .01 3 PL DEC ± .005 4 PL DEC ± .0005 ANGLES ± 1°	APP'D.	DATE	7260 COMMERCE CIRCLE EAST MINNEAPOLIS, MN 55432 WWW.OMNETICS.COM	
				DWG NO. A98014-009	SHEET 2 OF 2
				SCALE: 6:1	REV B