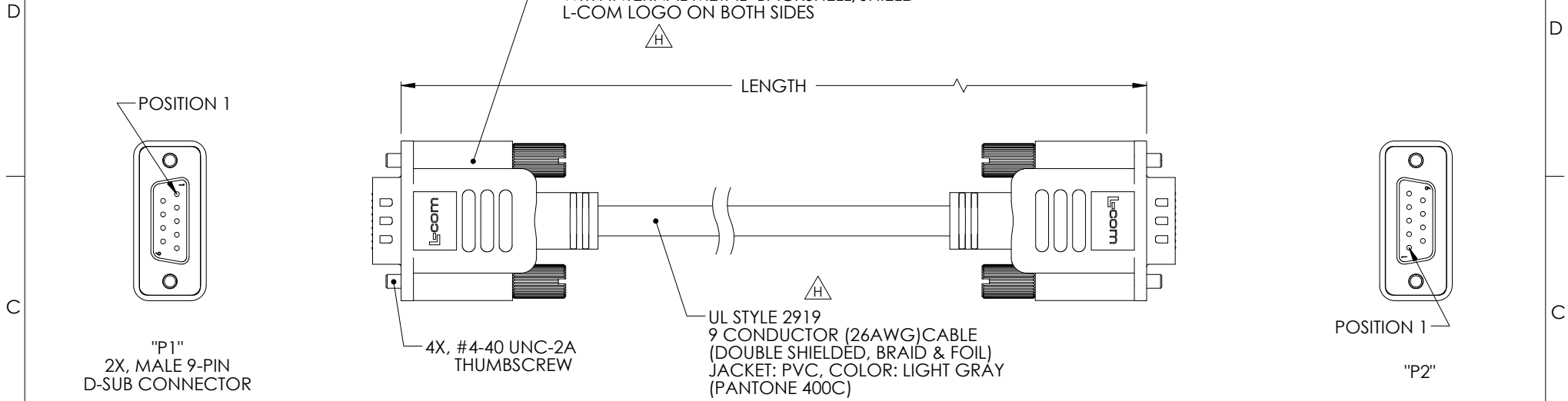


THE INFORMATION CONTAINED IN THIS DRAWING IS THE SOLE PROPERTY OF L-COM, INC. ANY REPRODUCTION IN PART OR WHOLE WITHOUT THE WRITTEN PERMISSION OF L-COM, INC. IS PROHIBITED.

RoHS Compliant ✓

REVISIONS			
REV	DESCRIPTION	DATE	APPROVED
F	ECN #3359, CN RELEASE	6/3/08	E. STAUBLE
G	ECN 4474: ADDED 1.0 FT. LENGTH, UPDATED FORMAT, ADDED NOTES	1/7/10	D. CASTRO
H	ECN4813: ADDED 26AWG & PANTONE 400C TO CABLE DESCRIPTION. ADDED LOGO NOTE.	6/9/10	DFP



"P1"	WIRE COLOR	"P2"
1	BLACK	1
2	RED	2
3	ORANGE	3
4	YELLOW	4
5	GREEN	5
6	BLUE	6
7	VIOLET	7
8	GRAY	8
9	BROWN	9
SHELL	DRAIN WIRE	SHELL

MODEL NUMBER	LENGTH	
	FEET	METERS
CS2N9MM-1	1.0	0.31
CS2N9MM-2.5	2.5	0.76
CS2N9MM-5	5.0	1.52
CS2N9MM-6	6.0	1.83
CS2N9MM-10	10.0	3.05
CS2N9MM-12	12.0	3.66
CS2N9MM-15	15.0	4.57
CS2N9MM-25	25.0	7.62
CS2N9MM-50	50.0	15.24

NOTES:

1. CABLE ASSEMBLY SHALL BE TESTED FOR CONTINUITY.
2. CABLE ASSEMBLY SHALL BE INDIVIDUALLY PACKAGED IN ACCORDANCE WITH L-COM PACKAGING SPEC. PS-0031.

UNLESS OTHERWISE SPECIFIED, DIMENSIONS ARE IN INCHES [mm] OVERALL CABLE LENGTH TOLERANCE: ≤ 12 [305] = +1 [25] / -0 >12 [305] ≤ 60 [1524] = +2 [51] / -0 >60 [1524] ≤ 120 [3048] = +4 [102] / -0 >120 [3048] ≤ 300 [7620] = +6 [152] / -0 >300 [7620] = +3% / -0% ALL OTHER DIMENSIONAL TOLERANCES: .X = ±.2 .XX = ±.02 .XXX = ±.005	APPROVALS DRAWN BY: TJC CHECKED BY: DFP APPROVED BY: RC	DATE 11/27/01 9/28/01 10/4/01	45 BEECHWOOD DRIVE NORTH ANDOVER, MA 01845	
	CONFIGURATION DETAILS OF UNDIMENSIONED FEATURES MAY VARY			CATEGORY D-SUBMINIATURE
	PROJECTION 	COLOR VARIATIONS MAY OCCUR	SIZE A FSCM NO. 43321 DWG. NO. CS2N9MM	PRODUCT DESCRIPTION CABLE, DB9M/M DBL SHLD
	SCALE: NONE CAD FILE: CS2N9MM.SLDDRW		SHEET 1 OF 1	REV. H