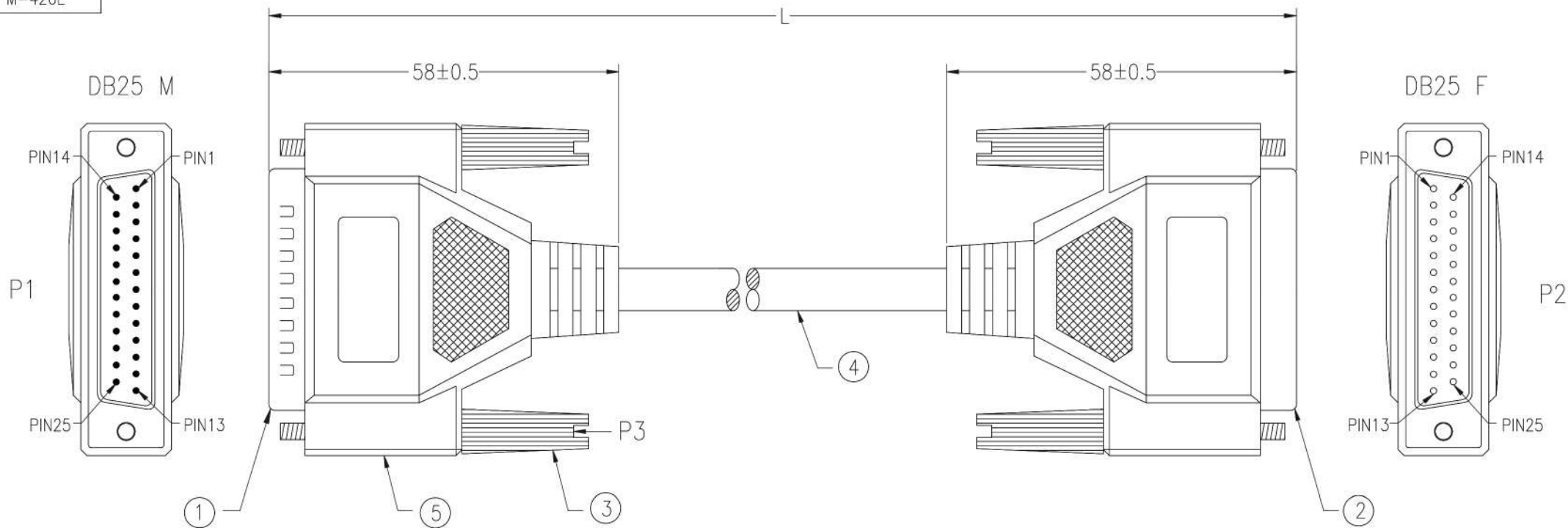


P1,P2: M-Y222E  
M-222D  
P3: M-426E



\* NOTE: All relevant materials are complied with RoHS directive .

P1		P2		2006		P1		P2	
BLACK	1	1	BROWN/BLACK	14	14	BROWN/BLACK	14	14	
BROWN	2	2	RED/BLACK	15	15	RED/BLACK	15	15	
RED	3	3	ORANGE/BLACK	16	16	ORANGE/BLACK	16	16	
ORANGE	4	4	YELLOW/BLACK	17	17	YELLOW/BLACK	17	17	
YELLOW	5	5	GREEN/BLACK	18	18	GREEN/BLACK	18	18	
GREEN	6	6	BLUE/BLACK	19	19	BLUE/BLACK	19	19	
BLUE	7	7	PURPLE/BLACK	20	20	PURPLE/BLACK	20	20	
PURPLE	8	8	GRAY/BLACK	21	21	GRAY/BLACK	21	21	
GRAY	9	9	WHITE/BLACK	22	22	WHITE/BLACK	22	22	
WHITE	10	10	PINK/BLACK	23	23	PINK/BLACK	23	23	
PINK	11	11	LIGHT GREEN/BLACK	24	24	LIGHT GREEN/BLACK	24	24	
LIGHT GREEN	12	12	LIGHT BLUE/BLACK	25	25	LIGHT BLUE/BLACK	25	25	
LIGHT BLUE	13	13	SHIELD		SHIELD	SHIELD		SHIELD	

5	BLACK HEAT SHRINK TUBE $\phi 3.0 \times 30\text{mm}$	H7A001-0304K09	2	M304
	ALUMINUM FOIL 33*110mm	A6MA05-0309	2	M309
	MOLDED PE COLOR TRANSPARENT	A5BA02-0280		M280
	MOLDED PVC BEIGE	H1BF01-0304B01		M304
4	NON-UL 25C 28AWG, ALUM-MYLAR FOIL SHIELDING WITH DRAIN WIRE, OD 7.0mm, JACKET BEIGE, DRAWING No. EMAL2825C-095	H5BL38-0304B01	Lmm	M304
3	MOLDED THUMBSCREW #4-40, LENGTH 46.5mm, BEIGE	H1RB01-0304B01 A6AA30-0095	4	M95
2	DB25 FEMALE, GOLD FLASH ON CONTACTS, BLUE INSULATOR	A1AE01-0277U09	1	M277
1	DB25 MALE, GOLD FLASH ON CONTACTS, BLUE INSULATOR	A1AE09-0277U09	1	M277
No.	DESCRIPTION	Q'TY		Supplier

APPROVED		<p><b>COMPUCABLEPLUS</b> PROVIDING CONNECTIVITY SOLUTIONS</p>	Cable Length Unless Other Spec. Tolerances:	
CHECKED	HU		0 ~200mm	±10mm
DRAWING	ZHU		201~1000mm	±20mm
DATE	05/JULY/19	ITEM NO.	DMC-25MF-XXB & DMC-25MF-XXB-MF	UNIT:mm
				1001 ~1500mm ±25mm 1501 ~2100mm ±30mm 2100mm↑ ±40mm