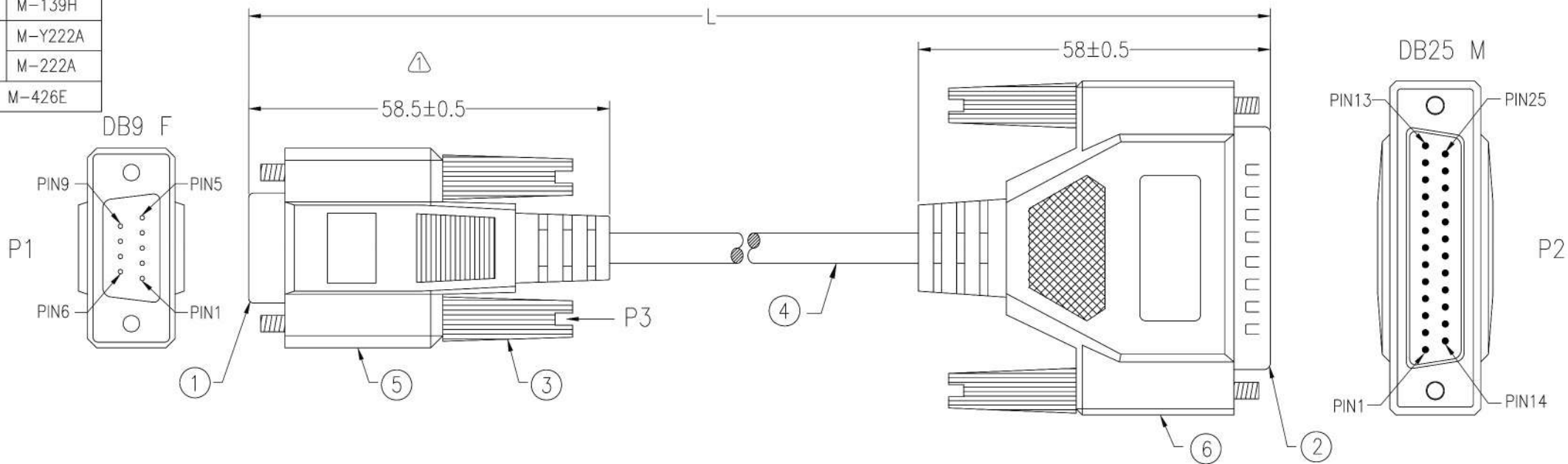


P1:	M-Y139C
	M-139H
P2:	M-Y222A
	M-222A
P3:	M-426E



*NOTE: ALL relevant materials are complied with ROHS directive

1049			
P1		P2	
1	————	8	BROWN
2	————	3	RED
3	————	2	ORANGE
4	————	20	YELLOW
5	————	7	GREEN
6	————	6	BLUE
7	————	4	PURPLE
8	————	5	GREY
9	————	22	BLACK
SHIELD	————	SHIELD	

No.	DESCRIPTION	Q'TY	Supplier
6	BLACK PVC TUBE ϕ 3.0*30mm	1	M304
	ALUMINUM FOIL 33*110mm	1	M309
	MOLDED PE COLOR TRANSPARENT		M280
	MOLDED PVC BEIGE		M304
5	BLACK PVC TUBE ϕ 3.0*22mm	1	M304
	ALUMINUM FOIL 33*65mm	1	M309
	MOLDED PE COLOR TRANSPARENT		M280
4	MOLDED PVC BEIGE		M304
	NON-UL 9C 28AWG, ALUM-MYLAR FOIL SHIELDING WITH DRAIN WIRE, OD 5.0mm, JACKET BEIGE, DRAWING No. EMAL2809C-051	L-20mm	M304
3	MOLDED THUMBSCREW #4-40, LENGTH 46.5mm, BEIGE	4	M95
2	DB25 MALE, GOLD FLASH ON CONTACTS, BLUE INSULATOR	1	M277
1	DB9 FEMALE, GOLD FLASH ON CONTACTS, BLUE INSULATOR	1	M277

APPROVED		DAC-9F25M-XXB-MF COMPU CABLE PLUS PROVIDING CONNECTIVITY SOLUTIONS	Cable Length Unless Other Spec. Tolerances: 0 ~200mm ±10mm 201~1000mm ±20mm 1001 ~1500mm ±25mm 1501~2100mm ±30mm 2100mm↑ ±40mm
CHECKED	HU		
DRAWING	ZHU		
DATE	05/JULY/19	ITEM NO.	DAC-9F25M-XXB & DAC-9F25M-XXB-MF
		UNIT:mm	