

PACT MCR-V2-6015- 85-1000-5A-1 - Current transformer



2277954

<https://www.phoenixcontact.com/us/products/2277954>

Please be informed that the data shown in this PDF document is generated from our online catalog. Please find the complete data in the user documentation. Our general terms of use for downloads are valid.



Window-type current transformer, 1000 A AC primary current; 5 A AC secondary current; accuracy class 1; 15 VA rated power

Commercial data

Item number	2277954
Packing unit	1 pc
Minimum order quantity	1 pc
Sales key	C444
Product key	CK4A11
Catalog page	Page 215 (C-5-2019)
GTIN	4046356502528
Weight per piece (including packing)	369.73 g
Weight per piece (excluding packing)	250 g
Customs tariff number	85043129
Country of origin	DE

PACT MCR-V2-6015- 85-1000-5A-1 - Current transformer



2277954

<https://www.phoenixcontact.com/us/products/2277954>

Technical data

Product properties

Product type	Current transformer
--------------	---------------------

Electrical properties

Rated insulation voltage	1 kV (Phase/neutral conductor)
--------------------------	--------------------------------

General

Can be calibrated	no
Converter type	Window-type current transformer

Input data

Current transformers

Rated power	15 VA
Thermal rated short-time current	$I_{th} = 60 * I_n$
Thermal rated continuous current	$I_d = 1.2 * I_n$
Rated surge current	$I_{dyn} = 2.5 * I_{th}$
Rated frequency f_n	50 Hz 60 Hz
Primary rated current I_{pn}	0 A AC ... 1000 A AC
Primary rated current range	1 A AC ... 4000 A AC (depends on type)
Can be calibrated	no
Converter type	Window-type current transformer

Output data

Signal

Designation	Current output
Secondary rated current I_{sn}	5 A AC
Surge current limitation factor	FS 5
Accuracy class	1

Connection data

Connection method	Screw connection
Conductor cross section flexible	2x 2.5 mm ² ... 4 mm ² (Secondary terminals)

Dimensions

Item dimensions

Width	30 mm
Height	108 mm
Depth	85 mm

Item dimensions with alternative mounting

PACT MCR-V2-6015- 85-1000-5A-1 - Current transformer



2277954

<https://www.phoenixcontact.com/us/products/2277954>

Width	85 mm
Height	108 mm
Depth	30 mm

Copper rail

Width	60 mm
Height	15 mm

Copper rail 2

Width	50 mm
Height	10 mm

Copper rail 3

Width	40 mm
Height	40 mm

Circular conductor

Diameter	52 mm
----------	-------

Material specifications

Color	black (RAL 9005)
Housing material	PA 6.6

Environmental and real-life conditions

Ambient conditions

Ambient temperature (operation)	-25 °C ... 40 °C
Ambient temperature (storage/transport)	-25 °C ... 40 °C
Altitude	≤ 1000 m
Permissible humidity (operation)	Use only indoors, non-condensing

Approvals

UL, USA/Canada

Identification	XODW8.E323953
----------------	---------------

Standards and regulations

Standards/regulations	EN 61869
-----------------------	----------

Mounting

Mounting type	DIN rail mounting
---------------	-------------------

PACT MCR-V2-6015- 85-1000-5A-1 - Current transformer

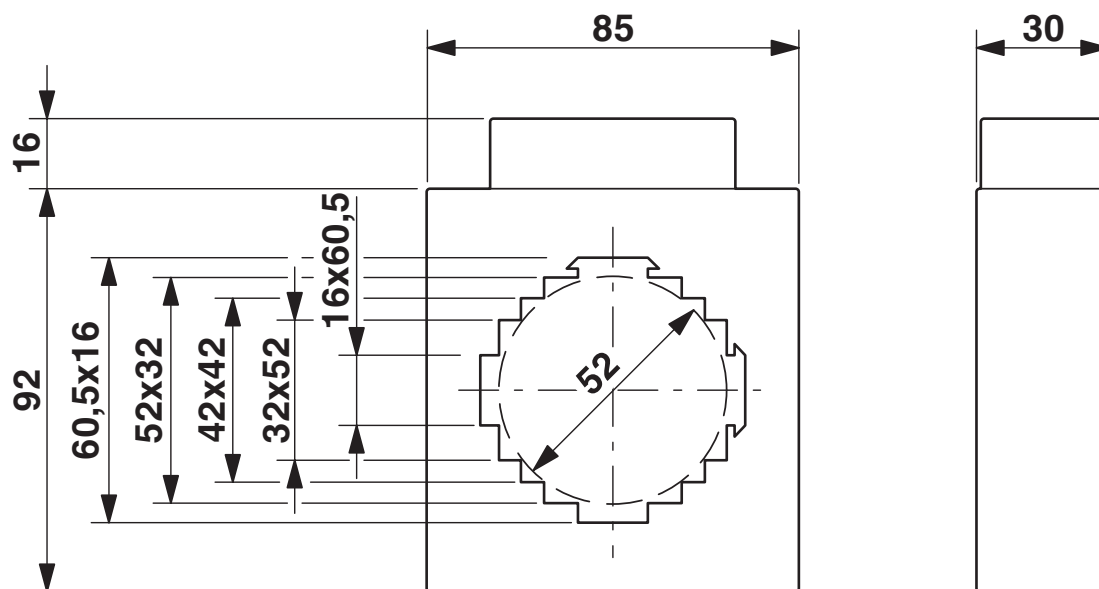


2277954

<https://www.phoenixcontact.com/us/products/2277954>

Drawings

Dimensional drawing



PACT MCR-V2-6015- 85-1000-5A-1 - Current transformer



2277954

<https://www.phoenixcontact.com/us/products/2277954>

Approvals

To download certificates, visit the product detail page: <https://www.phoenixcontact.com/us/products/2277954>



EAC

Approval ID: RU*DE*08.B.01187/19

PACT MCR-V2-6015- 85-1000-5A-1 - Current transformer



2277954

<https://www.phoenixcontact.com/us/products/2277954>

Classifications

ECLASS

ECLASS-11.0	27210902
ECLASS-13.0	27210902
ECLASS-12.0	27210902

ETIM

ETIM 9.0	EC002048
----------	----------

UNSPSC

UNSPSC 21.0	39121000
-------------	----------

PACT MCR-V2-6015- 85-1000-5A-1 - Current transformer



2277954

<https://www.phoenixcontact.com/us/products/2277954>

Environmental product compliance

EU RoHS

Fulfills EU RoHS substance requirements	Yes, No exemptions
---	--------------------

China RoHS

Environment friendly use period (EFUP)	EFUP-50
	An article-related China RoHS declaration table can be found in the download area for the respective article under "Manufacturer declaration". For all articles with EFUP-E, no China RoHS declaration table issued and required.

EU REACH SVHC

REACH candidate substance (CAS No.)	No substance above 0.1 wt%
-------------------------------------	----------------------------

PACT MCR-V2-6015- 85-1000-5A-1 - Current transformer



2277954

<https://www.phoenixcontact.com/us/products/2277954>

Accessories

PACT-FAST-MNT-W16-L65 - Mounting material

2276641

<https://www.phoenixcontact.com/us/products/2276641>



The transformer quick-action mechanism enables the lightning-fast mounting of PACT current transformers on the power rail. The installation can be completed easily by hand without the use of tools. Fixing pins: 65 mm, holding latches: 16 mm

PACT-FAST-MNT-W16-L40 - Mounting material

2276638

<https://www.phoenixcontact.com/us/products/2276638>



The transformer quick-action mechanism enables the lightning-fast mounting of PACT current transformers on the power rail. The installation can be completed easily by hand without the use of tools. Fixing pins: 40 mm, holding latches: 16 mm

PACT MCR-V2-6015- 85-1000-5A-1 - Current transformer



2277954

<https://www.phoenixcontact.com/us/products/2277954>

PACT MCR-RA - DIN rail adapter

2277598

<https://www.phoenixcontact.com/us/products/2277598>

Adapter for mounting on DIN rails.



Phoenix Contact 2024 © - all rights reserved

<https://www.phoenixcontact.com>

Phoenix Contact USA
586 Fulling Mill Road
Middletown, PA 17057, United States
(+717) 944-1300
info@phoenixcon.com