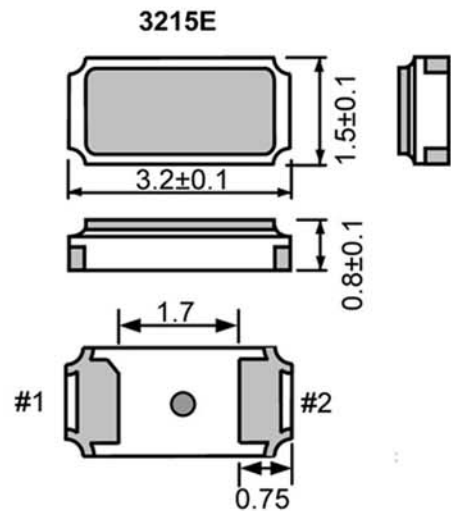
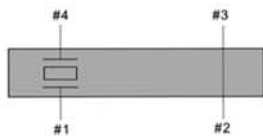
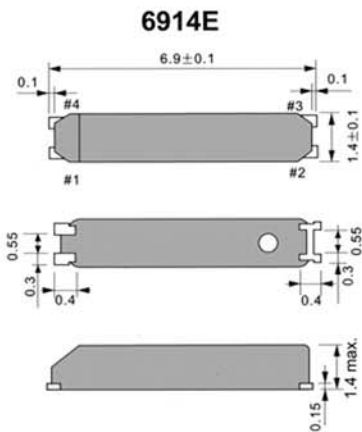


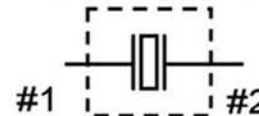
● SPECIFICATION

Type	6914E	3215E
Frequency range	32.768KHz	
Load Capacitance	7pF,12.5pF	7pF,9pF,12.5pF
Drive Level	1.0μW max.	0.5μW max.
Frequency Tolerance	±20ppm	
Series Resistance	65KΩ	70KΩ
Turnover Temperature	25±5°C	
Temperature Coefficient	-0.04 ± 0.01 PPM / °C2 max.	
Operating Temperature Range	-40°C ~ +85°C	
Storage Temperature Range	-55°C ~ +125°C	
Motional Capacitance	2.0fF Typical	3.4fF Typical
Shunt Capacitance	0.85 pF typ.	1.0 pF typ.
Insulation Resistance	500 MΩ min.	
Aging	±3ppm/Year max.	

● DIMENSIONS (mm)



(TOP VIEW)



● Recommended Land Pattern

