

XT224 Series : SMD Crystal 2.5x2.0 mm 12.000 - 54.000MHz

● SPECIFICATION

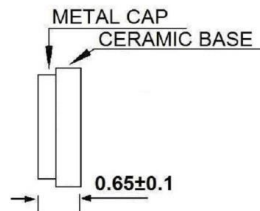
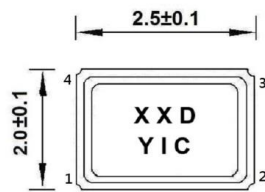
Model	XT224 Series
Frequency range	12.000 ~ 54.000 MHz
Frequency tolerance	±10 , 20 , 30ppm (at 25°C)
Frequency stability	±10 , 20 , 30ppm (Ref. to 25°C)
Operation temperature	- 55°C ~ 125°C (- 20°C ~ + 70°C)
Storage temperature	- 40°C ~ + 125°C
Load capacitance	Series, 6pF, 8pF, 9pF, 10pF, 12pF, 15pF, 18pF, 20pF or Special requirement.
Drive Level	10uW (200uW max.)
Series resistance	See below
Shunt capacitance	3pF max.
AGING	±3ppm / Year.

● EQUIVALENT SERIES RESISTANCE

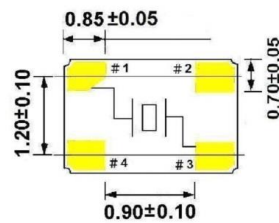
Frequency MHz	Model	ESR
12.000-24.000	Fundamental	150 Ω max.
24.001-30.000	Fundamental	80 Ω max.
30.001-54.000	Fundamental	60 Ω max.

● DIMENSIONS (mm)

★ Top View

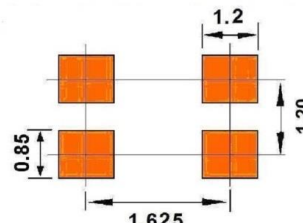


★ Bottom View



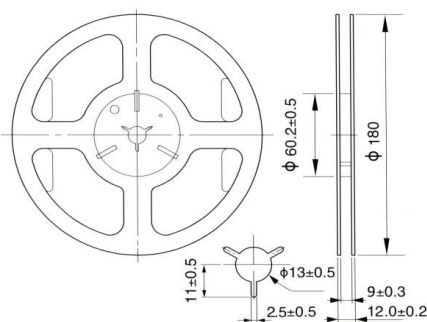
#2 #4 : GND

★ Recommended Land Pattern



UNIT : mm

● REEL PACKING(mm)



* 3000PCS/Reel

● TAPE SPECIFICATION(mm)

