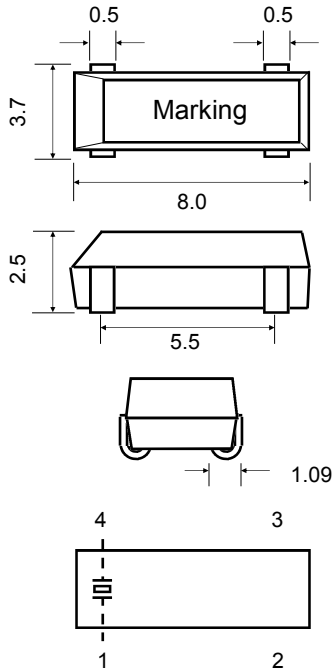


PLASTIC MOLDED SMD TUNING FORK CRYSTAL (8.0 x 3.7 x 2.5mm)
FEATURES:

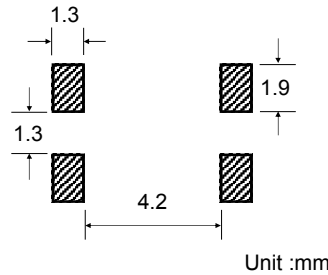
- MINIATURE TUNING FORK CRYSTAL
- LOW PROFILE FOR HIGH DENSITY PCB DESIGN
- INDUSTRIAL OPERATING TEMPERATURE RANGE (-40°C ~ 85°C)


■ SPECIFICATION

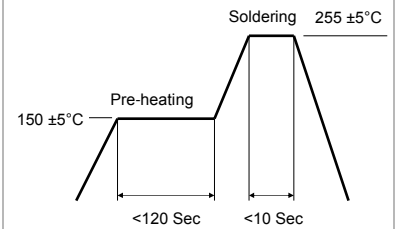
FREQUENCY RANGE	32.768kHz
FREQUENCY TOLERANCE @ 25°C	STD: ±20ppm, Option: ±10ppm available (Consult factory)
TEMPERATURE COEFFICIENT	-0.034ppm ±0.006 ppm / °C ²
OPERATING TEMPERATURE RANGE	-40°C ~ 85°C
STORAGE TEMPERATURE RANGE	-55°C ~ 125°C
TURN OVER TEMPERATURE	25°C ± 5°C
LOAD CAPACITANCE	STD: 12.5pF (See P/N guide for other options)
SHUNT CAPACITANCE	1.35pF typ.
MOTIONAL CAPACITANCE	0.0023pF typ.
EQUIVALENT SERIES RESISTANCE	50kΩ max.
INSULATION RESISTANCE	500MΩ min. @ 100V _{DC} ± 15V _{DC}
DRIVE LEVEL	0.1μW typ., 1.0μW max.
AGING @ 25°C ± 3°C	±5.0ppm/ 1 st year max.
SHOCK	±5.0ppm max.
VIBRATION	±5.0ppm max.

■ PACKAGE DIMENSIONS


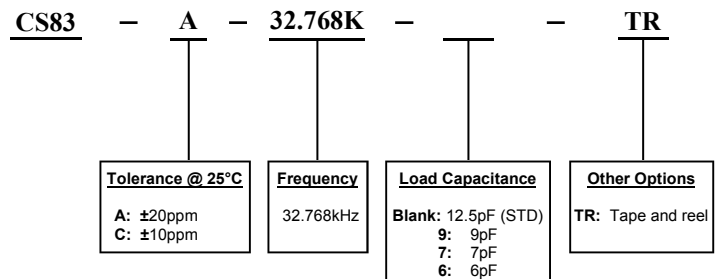
Unit : mm

■ SOLDER PATTERN


Unit : mm

■ REFLOW PROFILE


Note: Consult factory for detail

■ PART NUMBERING GUIDE


Transko Electronics, Inc reserves the right to make changes to the product (s), service (s), and specification (s) described herein without notice. See "Terms of Sale" for details on our website.