

Customer Part:

Description

- Through-hole cylinder crystal in a press-sealed metal can
- -3X8
Leaded crystal in a press sealed metal can 3 x 8mm
- Model WATCH-3X8
- Model Issue number 13

Frequency Parameters

- Frequency 32.7680kHz
- Frequency Tolerance ±20.00ppm
- Tolerance Condition @ 25°C
- Overtone Order Fundamental
- Ageing ±5ppm max per year @ 25°C

Electrical Parameters

- Load Capacitance (CL) 12.50pF
- Shunt Capacitance (C0) 2.5pF typ
- Drive Level 1.0µW max
- ESR 50.00kΩ max

Environmental Parameters

- Drop: 75cm drop (3 times) onto hard wooden board
- Storage Temperature Range: -40 to 85°C

Compliance

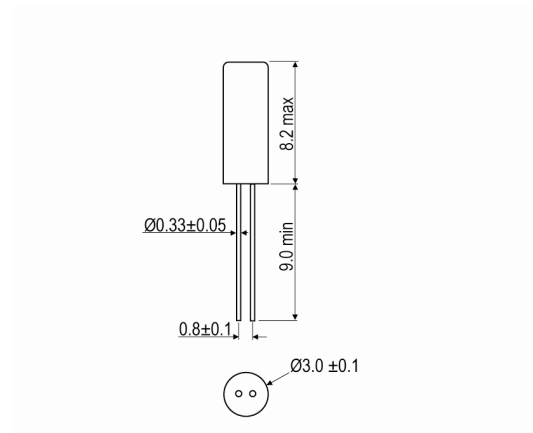
- RoHS Status (2015/863/EU) Compliant
- REACH Status Compliant
- MSL Rating (JDEC-STD-033): Not Applicable

Packaging Details

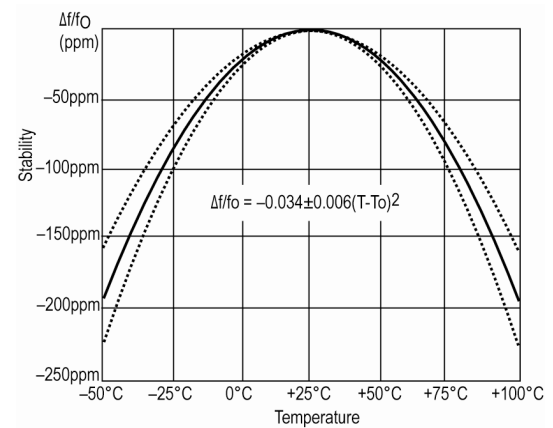
- Pack Style: Bulk Loose in bulk pack
Pack Size: 1,000
- *Alternative packing option available*



Outline (mm)



Typical Frequency Stability Characteristics



Sales Office Contact Details:

UK: +44 (0)1460 270200

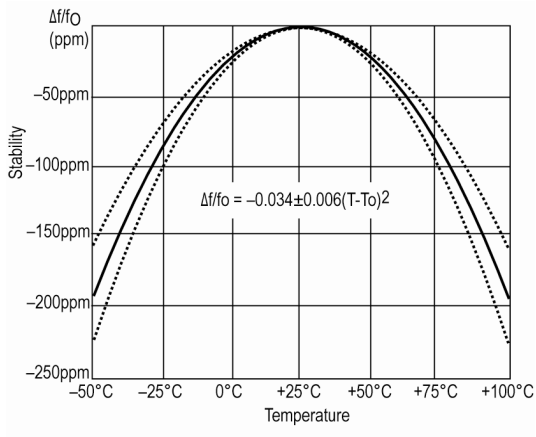
USA: +1 760 668 8935

Email: info@iqdfrequencyproducts.com

Web: www.iqdfrequencyproducts.com

Customer Part:

Typical Frequency Stability Characteristics



Sales Office Contact Details:

UK: +44 (0)1460 270200

USA: +1 760 668 8935

Email: info@iqdfrequencyproducts.com

Web: www.iqdfrequencyproducts.com