

## Product Description

Description:	16.0MHz GSX-323/X SM Crystal
Product family:	GSX-323
Category:	SM Quartz Crystal
Order code:	MP10204

## Features

- ▶ Metal lid can be grounded to minimise EMI
- ▶ Seam sealed for excellent long-term stability
- ▶ Ultra-miniature for maximum space saving

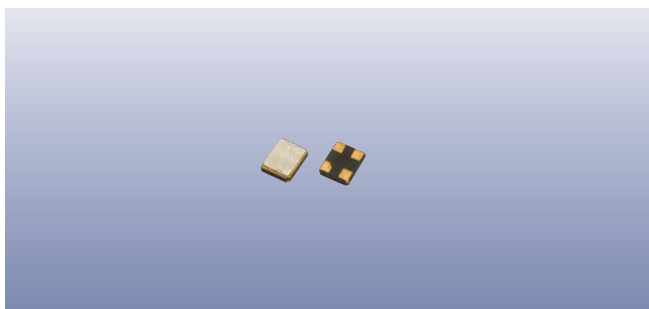
## Additional Information

For further information regarding packaging, construction, material composition, soldering profile and environment, please refer to **GSX-323 Product Information sheet**

For dimensions, refer to package drawing: **D0280-A**

## Electrical Specifications

Parameter	Value	Notes
Nominal frequency:	16.0MHz	
Calibration tolerance:	±10ppm	@25°C
Temperature stability:	±12ppm	
Operating temperature range:	-20 to +75°C	
Operable temperature range:	-40 to +85°C	
Circuit condition ( $C_L$ ):	9pF	
Oscillation mode:	Fundamental	
Equivalent series resistance:	80Ω max	
Drive level:	10μW typ, 100μW max	
Ageing:	±3ppm	First year
$C_1$ :	1.50 fF typ	
$C_0$ :	0.90pF typ	
$L_1$ :	62mH typ	



## Construction

- ▮ Ceramic body with gold-plated pads
- ▮ Metal lid, seam sealed

## Composition



This product is lead-free, and is fully compliant with the RoHS directive 2011/65/EC



## Packaging & Handling

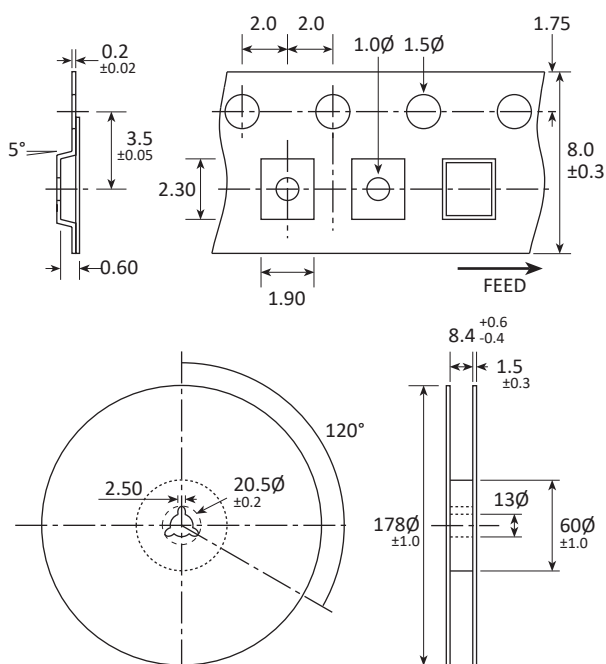
Production quantities supplied on T&R, 3k pcs per reel.  
Small quantities may be supplied on tape (no reel), or in bulk.

## Marking

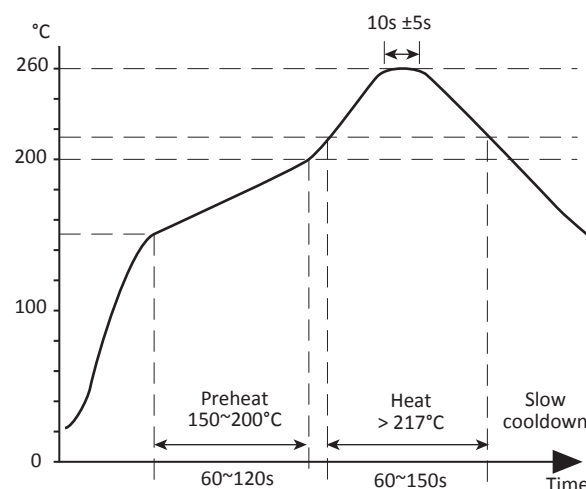
FREQUENCY  
DC

Marking type: Laser  
DC = Date code

## Tape & Reel Specification



## Soldering Profile



Maximum solder resistance: 260°C x 10 secs x 2.

