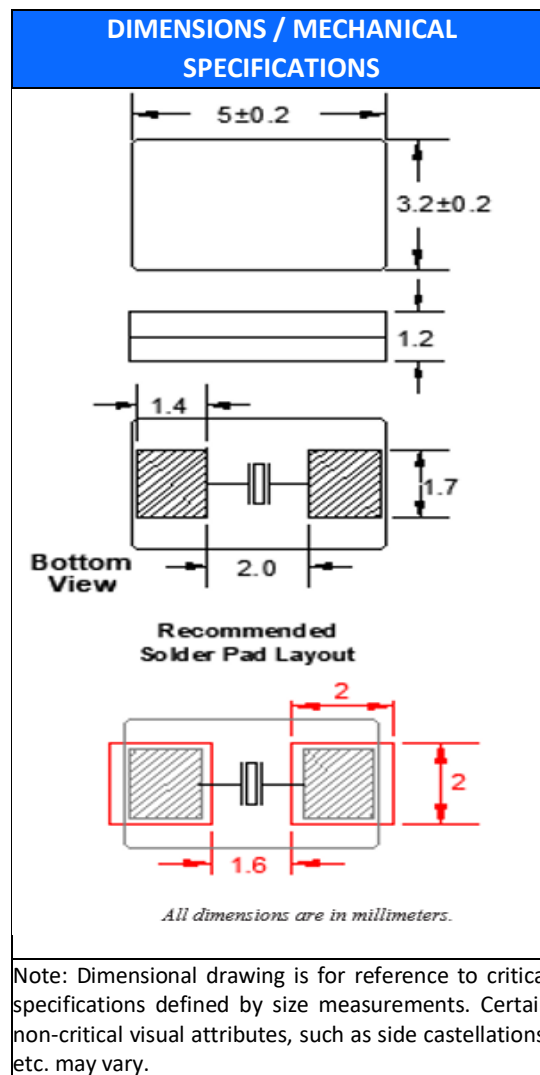


Features

- Tolerances down to ± 20 PPM
- Stabilities down to ± 10 PPM

STANDARD SPECIFICATIONS	
PARAMETERS	MAX (Unless otherwise noted)
Frequency Range	8.000 ~ 48.000 MHz
Frequency Tolerance @ 25°C	(See options below)
Frequency Stability, ref 25°C	(See options below)
Temperature Range	
Operating (T_{OPR})	(See options below)
Storage (T_{STG})	-40°C ~ +85°C
Shunt Capacitance (C_0)	7 pF
Load Capacitance (C_L)	(See options below)
Drive Level	0.5mW
Aging per year (@ 25°C)	± 5 PPM
Termination Finish	Ag
Seal Method	Resin
Lead (Pb) Free	Yes
RoHS Compliant	Yes



Frequency Range (MHz)	Operating Mode	Max ESR Ω
8.000000 ~ 11.999999	Fundamental	100
12.000000 ~ 16.000	Fundamental	80
16.000001 ~ 48.000	Fundamental	50

AVAILABLE OPERATING TEMPERATURES AND STABILITIES*						
Operating Temperature	± 10 PPM	± 15 PPM	± 20 PPM	± 25 PPM	± 30 PPM	± 50 PPM
0°C ~ +70°C	O	O	O	O	O	O
-20°C ~ +70°C	O	O	O	O	O	O
-40°C ~ +85°C	X	X	X	X	O	O

Key: O = Available, X = Not Available *Does not imply a stocked part.

FC5AQ

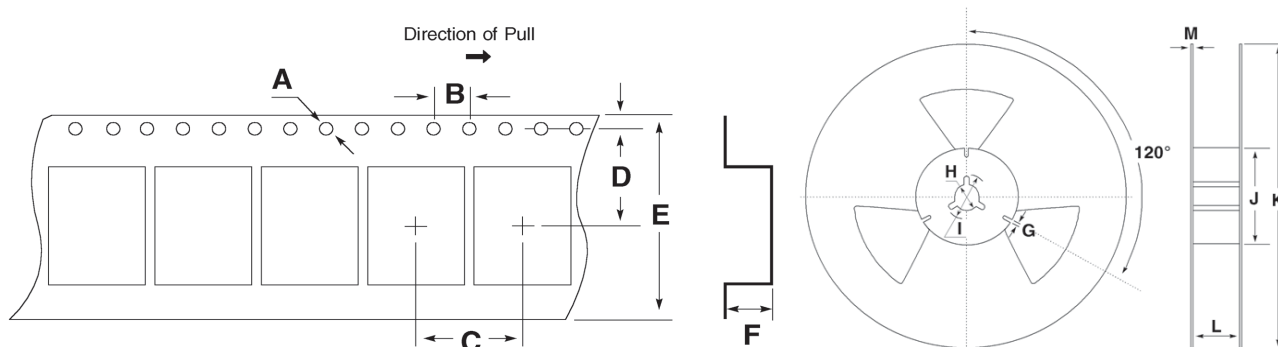
(Former FQ5032A)

5.0mm x 3.2mm

SMD Crystal



TAPE SPECIFICATIONS (mm)							REEL SPECIFICATIONS (mm)							
A	B	C	D	E	F	REEL QTY	G	H	I	J	K	L	M	
ø1.5	4.0	8.0	5.5	12.0	1.5	-T1 = 1,000	2.0	ø13	ø21	ø62	ø180	13.5	2.0	



Available Options & Part Identification for SMD Crystal FC5AQ¹

Sample PN: FC5AQCCMC25.0-T1

F	C5AQ	C	C	M	C	25.0	-T1
<u>Fox</u>	<u>Model Number</u>	<u>Tolerance</u> B = 50 PPM C = 30 PPM D = 25 PPM E = 20 PPM	<u>Stability</u> A = 100 PPM B = 50 PPM C = 30 PPM D = 25 PPM E = 20 PPM F = 15PPM H = 10 PPM	<u>Load Capacitance²</u> A= Series V = 7pF D = 8pF E = 10pF G = 12pF K = 16pF L = 18 pF M = 20pF	<u>Operating Temperature</u> C = 0 to +70°C E = -10 to +70°C F = -20 to +70°C M = -40 to +85°C	<u>Frequency (MHz)</u>	<u>Values Added Options</u> Blank = Bulk T1 = 1,000 pcs

1 Not all frequency, tolerance, stability, load, and operating temperature combinations may be available.

2 Listed load capacitances represent the most commonly used. Other load capacitances are available. Contact us for assistance

Reliability Test Conditions

Please contact Abracon Quality Assurance department