

## TUNING FORK CRYSTAL UNIT (SMD · Cylinder Type)

RoHS compliant / Pb free

# CMR200T

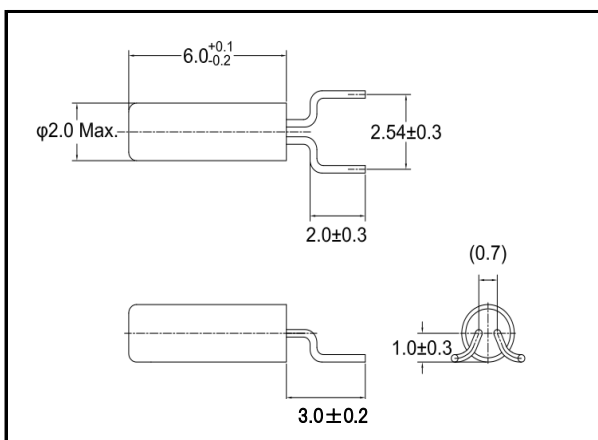
2,000pcs/reel



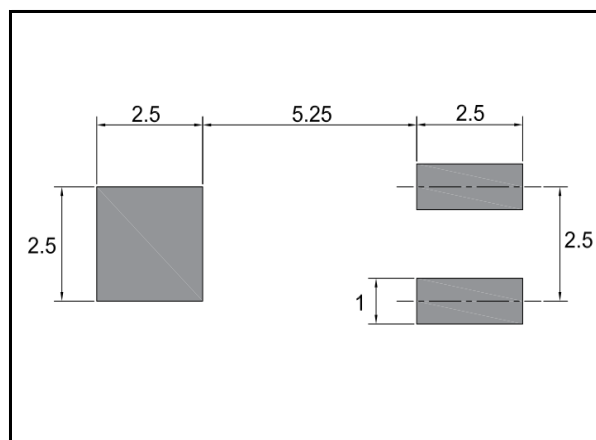
### ■ FEATURES

- Reflowable cylinder type
- Frequency range : 32.768kHz
- External dimensions (mm)  
Φ : 2.0 x L : 6.1
- Applications  
Smart Meters / Consumer products

### ■ DIMENSION [mm]



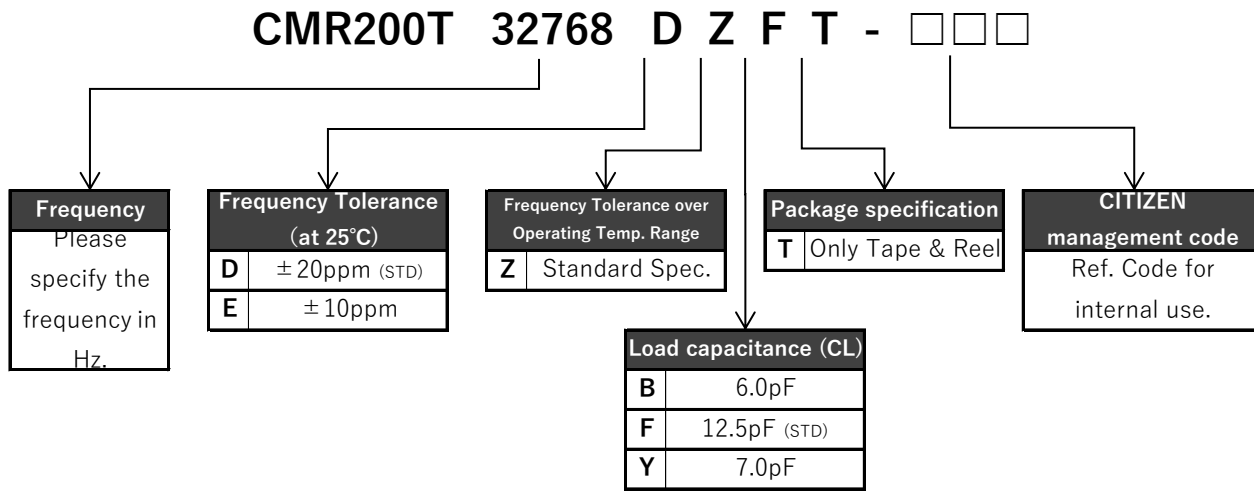
### ■ SOLDER PAD LAYOUT [mm]



### ■ STANDARD SPECIFICATIONS

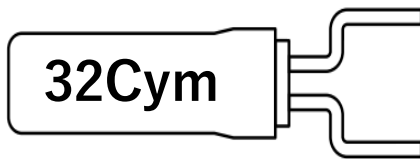
Item	Model	CMR200T	Conditions
Nominal Frequency	f <sub>0</sub>	32.768kHz	
Frequency Tolerance	Δf/f <sub>0</sub>	±10ppm / ±20ppm	at 25°C
Load capacitance	C <sub>L</sub>	6.0pF / 7.0pF / 12.5pF	Please specify your requirement
Operating Temperature Range	T <sub>OPR</sub>	-40°C ~ +85°C	
Storage Temperature Range	T <sub>STR</sub>	-55°C ~ +125°C	
Turnover Temperature	T <sub>M</sub>	25°C ± 5°C	
Temperature Coefficient	β	-0.034 ± 0.006ppm/°C <sup>2</sup>	
Motional (series) resistance	R <sub>1</sub>	50KΩ Max.	at 25°C
Level of drive	D <sub>L</sub>	1 μW Max.	
Aging (first year)	Δf/f <sub>0</sub>	±3ppm Max.	25°C ± 3°C
Shunt capacitance	C <sub>0</sub>	1.35pF Typ.	

## ■ PART NUMBERING SYSTEM



\*Please contact us for specifications available.

## ■ Part Marking [standard]



32C : Manufacture's ID Code

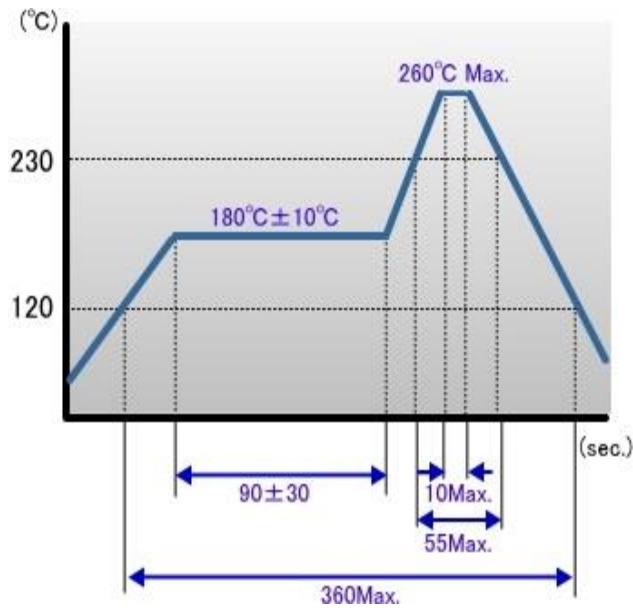
y : The last digit of production year

m : Production month (See Table.1)

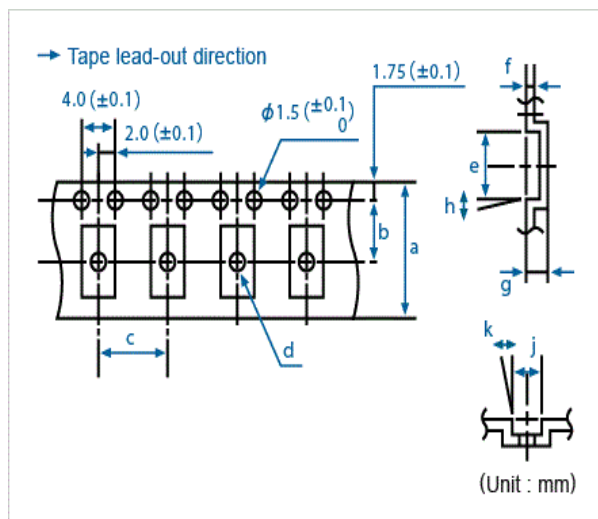
Table.1

Month	Jan	Feb	...	Sep	Oct	Nov	Dec
Code	1	2	...	9	X	Y	Z

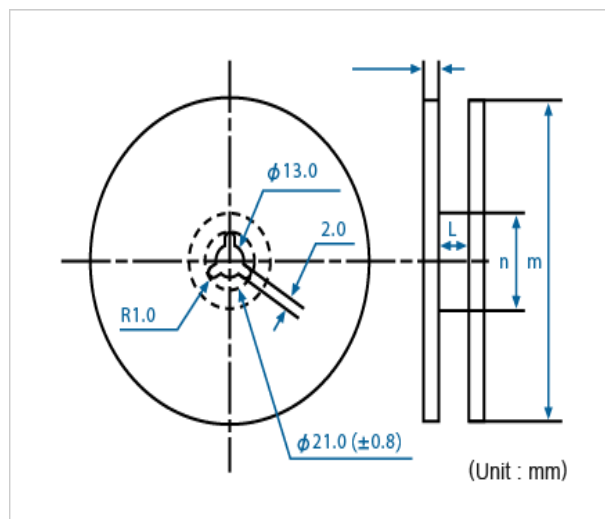
## ■ Reflow profile



## ■ Packing



Conforming to JIS C 0806 TB1208NEIAJ and RC-1009B TE1208



Conforming to JIS C 0806 R12R and EIAJ RC-1009B R15

Q'ty/reel	a	b	c	d (φ)	e	f	g	h	j	k	l	m (φ)	n (φ)
2,000	16.0	7.5	8.0	-	9.4	0.3	2.15	-	5.0	-	17.5	330	100

Product specifications are subject to change without notice.

Rev.2