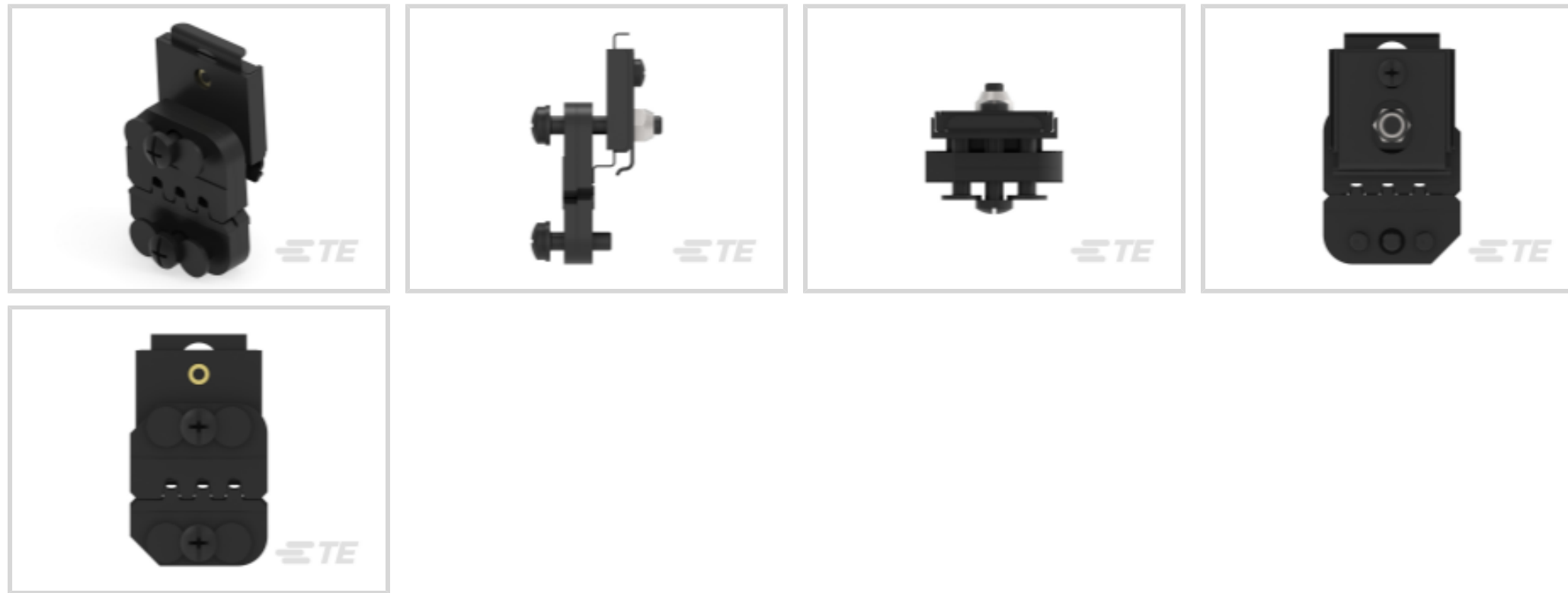




TE Internal #: 2392900-2
 Hand Crimping Tools, Commercial Crimp Tooling, Removable /Interchangeable, TE Product Specification (114-), SDE Crimp Die Set
[View on TE.com >](#)

Application Tooling > Hand Crimping Tools



Tool Grade: **Commercial Crimp Tooling**
 Die Sets Type: **Removable/Interchangeable**
 Specification Type: **TE Product Specification (114-)**
 TE Certification: **Cannot be Certified**
 Tooling Type: **SDE Crimp Die Set**

Features

Other

Crimp Form-Wire Barrel Type	Open Barrel - F Crimp
Tool Grade	Commercial Crimp Tooling
Die Sets Type	Removable/Interchangeable
Specification Type	TE Product Specification (114-)
TE Certification	Cannot be Certified
Tooling Type	SDE Crimp Die Set

Product Compliance

[For compliance documentation, visit the product page on TE.com>](#)

EU RoHS Directive 2011/65/EU	Out of Scope
EU ELV Directive 2000/53/EC	Out of Scope
China RoHS 2 Directive MIIT Order No 32, 2016	Restricted Materials Above Threshold
EU REACH Regulation (EC) No. 1907/2006	Current ECHA Candidate List: JAN 2024 (240) Candidate List Declared Against: JAN 2023 (233)



Does not contain REACH SVHC

Halogen Content

Not Low Halogen - contains Br or Cl > 900 ppm.

Solder Process Capability

Not applicable for solder process capability

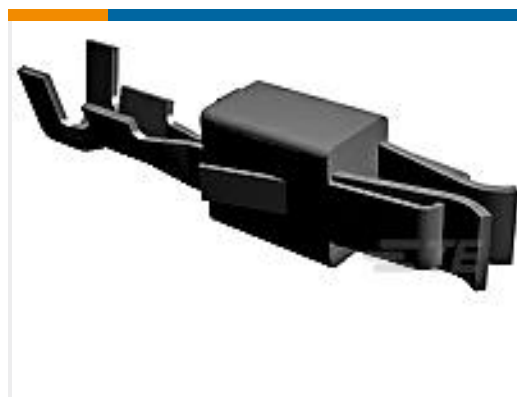
Product Compliance Disclaimer

This information is provided based on reasonable inquiry of our suppliers and represents our current actual knowledge based on the information they provided. This information is subject to change. The part numbers that TE has identified as EU RoHS compliant have a maximum concentration of 0.1% by weight in homogenous materials for lead, hexavalent chromium, mercury, PBB, PBDE, DBP, BBP, DEHP, DIBP, and 0.01% for cadmium, or qualify for an exemption to these limits as defined in the Annexes of Directive 2011/65/EU (RoHS2). Finished electrical and electronic equipment products will be CE marked as required by Directive 2011/65/EU. Components may not be CE marked. Additionally, the part numbers that TE has identified as EU ELV compliant have a maximum concentration of 0.1% by weight in homogenous materials for lead, hexavalent chromium, and mercury, and 0.01% for cadmium, or qualify for an exemption to these limits as defined in the Annexes of Directive 2000/53/EC (ELV). Regarding the REACH Regulation, the information TE provides on SVHC in articles for this part number is based on the latest European Chemicals Agency (ECHA) 'Guidance on requirements for substances in articles' posted at this URL: <https://echa.europa.eu/guidance-documents/guidance-on-reach>

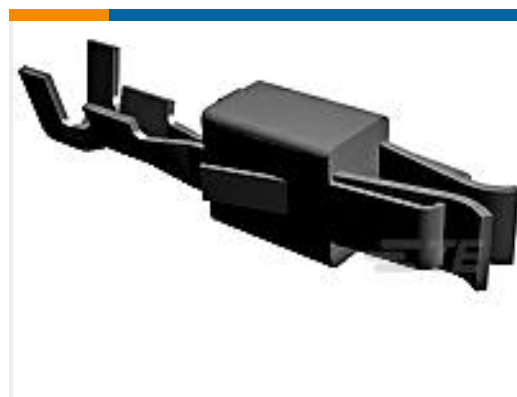
Compatible Parts



TE Part # CAT-T4827-T273
TIMER, RECEPTACLE AND TAB



TE Part # 927779-6
JPT REC 2.8 Contact SRC Ag (LP)



TE Part # 927779-3
JPT REC 2.8 Contact SRC Sn (LP)



TE Part # 964201-1
STD TIMER CONTACT



TE Part # 2362810-1
SDE CRIMP HAND TOOL FRAME W /O DIES



TE Part # 2392900-1
SDE F JR/STD TIMER 0.5-1.0mm2 ASSY



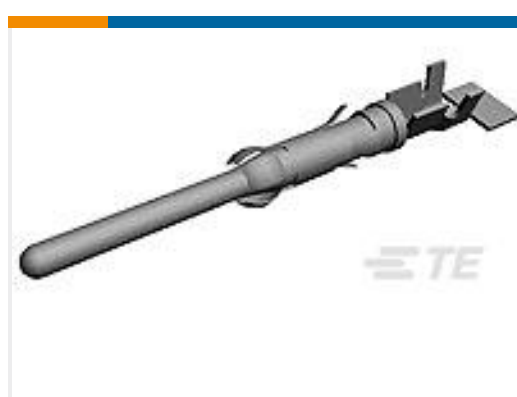
TE Part # 964201-2
STD TIMER CONTACT



TE Part # 927886-1
CI 2 BUCHSE



TE Part # 927884-1
CI 2 STIFT



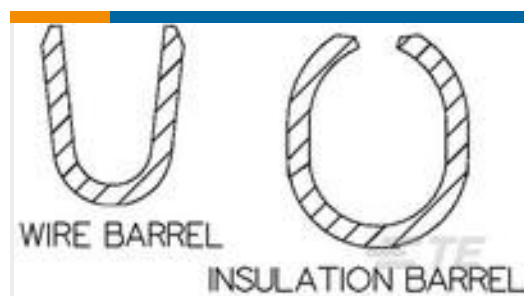
TE Part # 927884-2
CI 2 STIFT



TE Part # 927886-2
CI 2 BUCHSE



TE Part # 1-963897-1
JUN-POW-TIM KONTAKT

WIRE BARREL
INSULATION BARREL

TE Part # 1241823-1
STD TIMER CONTACT (LP)



WIRE BARREL INSULATION BARREL

TE Part # 1241823-2
STD TIMER CONTACT (LP)



WIRE BARREL INSULATION BARREL

TE Part # 1241823-3
STD TIMER CONTACT (LP)

TE Part # 2-963897-1
JUN-POW-TIM KONTAKT

TE Part # 927887-4
CI 2 BUCHSE



TE Part # 928820-2
STD TIMER CONTACT



TE Part # 928820-3
STD TIMER CONTACT

TE Part # 963897-1
JUN-POW-TIM KONTAKT

Customers Also Bought



TE Part # 206043-4
CPC RECPT ASSEMBLY SIZE 17-14



TE Part # HPP809A033
HTM2500FL HIGH TEMP RH/T MOD



TE Part # 2280380-1
KIT, BT, MICRO SDE, 110V




TE Part # 61492-1
SPLICE 2048-5250 .020 BR



TE Part # 964132-2
FF 110 TAB 0.5-1.0 MM2 PTP CUSN4



TE Part # 2392900-1
SDE F JR/STD TIMER 0.5-1.0mm2 ASSY



TE Part # 9-1478240-0
SDE SA PEW12 HAND TOOL FRAME-NO DIES



TE Part # 1579007-2
EXTRACTION TOOL



TE Part # 2-1414939-2
V23132A2001B200-EV-USBX

TE Part # 8-1579024-6
CRIMPAC, HT100, F- CRIMP, AWG22 - 10

Documents



Datasheets & Catalog Pages

Bottoming Dies

English

SDE Crimp Commercial Tool System

English

Instruction Sheets

Instruction Sheet (U.S.)

English