

# Customer Information Sheet

DRAWING No.: Z9025-00

SHEET 2 OF 2

IF IN DOUBT - ASK

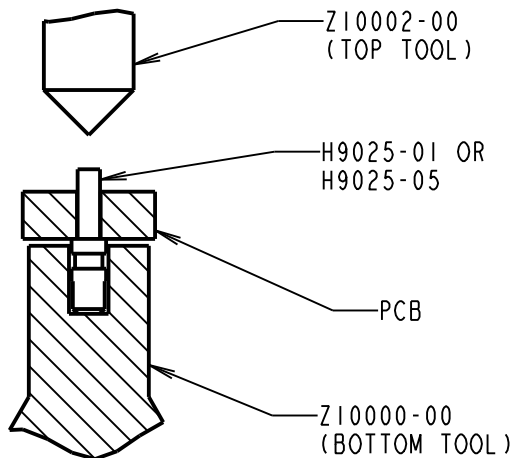


NOT TO SCALE

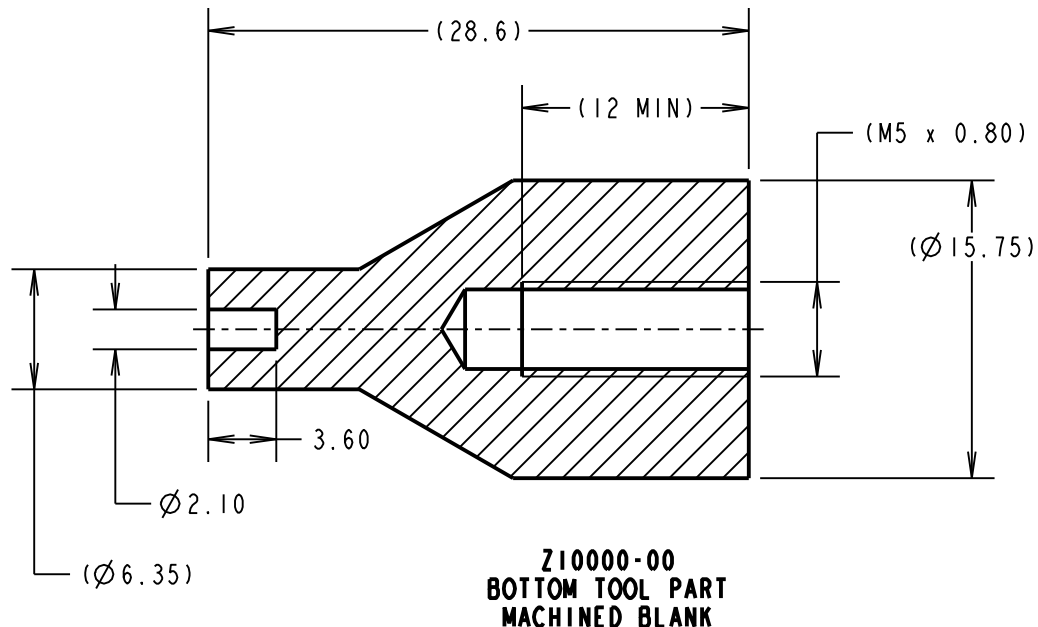
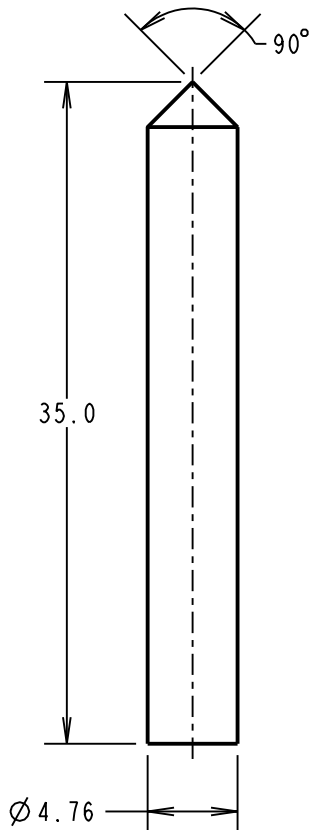
THIRD ANGLE PROJECTION

ALL DIMENSIONS IN mm

## OPERATION DIAGRAM



Z10002-00  
TOP TOOL



## NOTES:

- MUST BE USED WITH A BENCH PRESS OR OTHER FIXED TOOLING, TO ENSURE EVEN PRESSURE IS APPLIED TO THE HEAD OF THE TERMINAL.
- TOP AND BOTTOM TOOLS ARE PACKED IN A BAG AS A KIT.

WJP	3	24.11.16	13064
NAME	ISS.	DATE	C/NOTE
APPROVED: W. J. PRESTON			
CHECKED:		M. PLESTED	
DRAWN:		M. PLESTED	
CUSTOMER REF.:			
ASSEMBLY DRG:			

# HARWIN

www.harwin.com  
technical@harwin.com

THIS DRAWING AND ANY INFORMATION OR DESCRIPTIVE MATTER SET OUT HEREON ARE CONFIDENTIAL AND COPYRIGHT PROPERTY OF THE HARWIN GROUP AND MUST NOT BE DISCLOSED, LOANED, COPIED OR USED FOR MANUFACTURING, TENDERING OR FOR ANY OTHER PURPOSE WITHOUT THEIR WRITTEN PERMISSION.

## TOLERANCES

X. = ±1mm  
X.X = ±0.50mm  
X.XX = ±0.10mm  
X.XXX = ±0.01mm  
ANGLES = ±5°  
UNLESS STATED

## MATERIAL:

SILVER STEEL

## FINISH:

CLEAN

## S/AREA:

mm<sup>2</sup>

## TITLE:

TOP AND BOTTOM TOOL SET

## DRAWING NUMBER:

Z9025-00

SHT  
2 OF 2