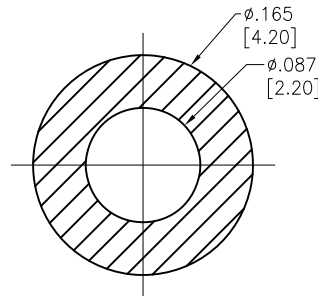
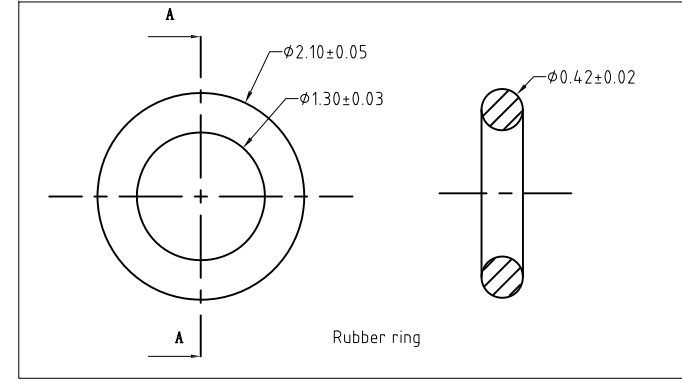
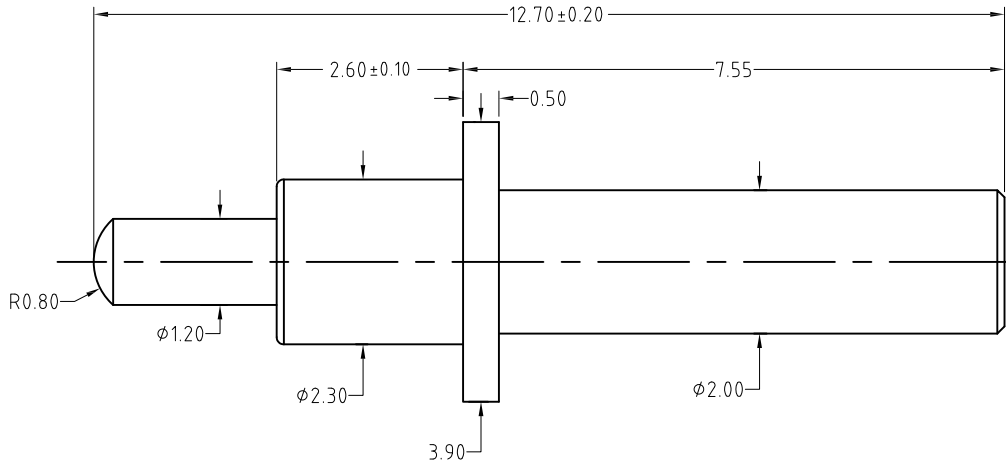
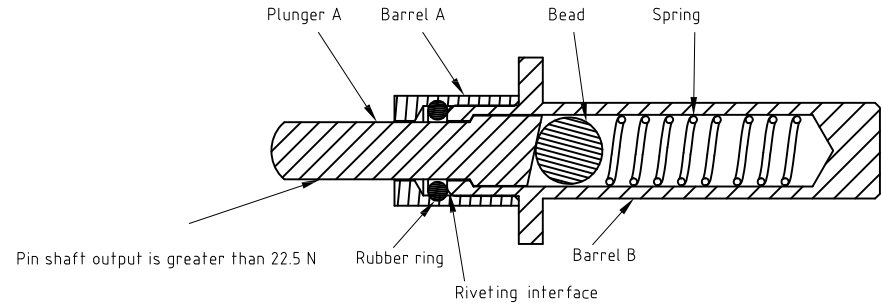


APPROVED: \_\_\_\_\_  
 DATE: \_\_\_\_\_ TITLE: \_\_\_\_\_

Rev	AWO #	Description	Date	Appr
-		RELEASED	8/10/18	
A		ADDED LAYOUT	3/31/21	LH/TY
B		ADDED RING DRAWING	11/12/21	LH/TY



RECOMMENDED PCB LAYOUT



**SPECIFICATIONS:**

**Material:**  
 Plug: Brass, 10u" Gold plated over Nickel  
 Plunger: Brass, 10u" Gold plated over Nickel  
 Barrel: Brass, 10u" Gold plated over Nickel  
 Spring: SUS 304, Gold plated  
 Bead: Zirconia  
 Waterproof ring: Silicone

**Electrical:**  
 Rated Voltage: 12 VDC  
 Rated Current: 10 A  
 Contact resistance: 50 mohms max

**Mechanical:**  
 Contact Force: 175g ± 20g @ 1.80mm working stroke  
 Max. Stroke: 2.50mm force 230 ± 20%  
 Life Test: 20,000 Cycles  
 Ingress Protection Rating: IP67  
**Environmental:**  
 Salt spray: 96H  
 Lead free, RoHS compliant.



UNLESS OTHERWISE SPECIFIED ALL DIMENSIONS ARE INCHES [MM]. TOLERANCES: EXCEPT AS NOTED

INCHES		HOLES	
.X	± .10	Ø.X	± .10
.XX	± .020	Ø.XX	± .015
.XXX	± .015	Ø.XXX	± .010



909 Rahway Avenue,  
 Union, NJ 07083  
 Phone: 908-687-5000  
 Fax: 908-687-5710

DRAWN	AY	8/10/18
CHECKED	TW	8/10/18
APPROVED		

TITLE	DIP SPRING LOADED PIN, STRAIGHT WATERPROOF	
SIZE	PART NO.	REV.
X	PH-MVP-26515-10/10-WP	-

THIS DRAWING CONTAINS INFORMATION THAT IS PROPRIETARY AND SHOULD NOT BE USED WITHOUT PRIOR WRITTEN PERMISSION FROM ADAM TECH	REF: S00170C	SCALE: NTS	SHEET 1 OF 1
--	--------------	------------	--------------