



2 Watt RF Load Up to 3 GHz With 7/16 DIN Male Input Aluminum

RF Terminations Technical Data Sheet

PE6TR1013

Features

- DC to 3 GHz Frequency Range
- VSWR 1.1:1 Max
- Max Power 2 Watt (CW)
- 7/16 DIN Male Coaxial Interface

Applications

- Wireless
- Radar Systems
- Commercial and Military Communication
- SatCom
- Test and Measurement

Description

Pasternack's PE6TR1013 is an RF termination (also called RF load or dummy load) that operates from DC to 3 GHz and handles up to 2 Watt (CW). Our 7/16 DIN termination / load has a male gender. PE6TR1013 7/16 DIN load termination offers 1.1:1 max VSWR.

RF load / terminations are indispensable components in many RF, microwave and millimeter wave systems where signal reflection from unused ports can potentially damage the device or reduce the signal integrity. By using a terminator on an unused port with a matched load (dummy load), the incident energy will be absorbed with minimal reflection. These termination components are commonly used to terminate devices such as couplers, circulators, and switches. They are also widely used in measurement systems to ensure accurate results. Pasternack offers a huge selection of RF, microwave and millimeter wave terminations up to 65 GHz with excellent performance over the entire operating range and power handling capabilities up to 800 Watt (CW).

Electrical Specifications

Description	Minimum	Typical	Maximum	Units
Frequency Range	DC		3	GHz
Impedance		50		Ohms
VSWR			1.1:1	
Input Power (CW) derated linearly to 0.5W at +125°C			2	Watts
Input Power (Peak) 5µs pulse, 0.4% duty cycle			500	Watts

Mechanical Specifications

Size	
Length	1.59 in [40.39 mm]
Width	1.38 in [35.05 mm]
Weight	0.19 lbs [86.18 g]

Click the following link (or enter part number in "SEARCH" on website) to obtain additional part information including price, inventory and certifications: [2 Watt RF Load Up to 3 GHz With 7/16 DIN Male Input Aluminum PE6TR1013](#)



2 Watt RF Load Up to 3 GHz With 7/16 DIN Male Input Aluminum

RF Terminations Technical Data Sheet

PE6TR1013

Configuration

Connector 7/16 DIN Male
Hex Size 7/16 Inch

Material Specifications

Description	Material	Plating
Connector 1 Contact	Brass	Silver
Body	Brass	Nickel
Housing	Aluminum	

Environmental Specifications

Temperature

Operating Range -55 to +125 deg C

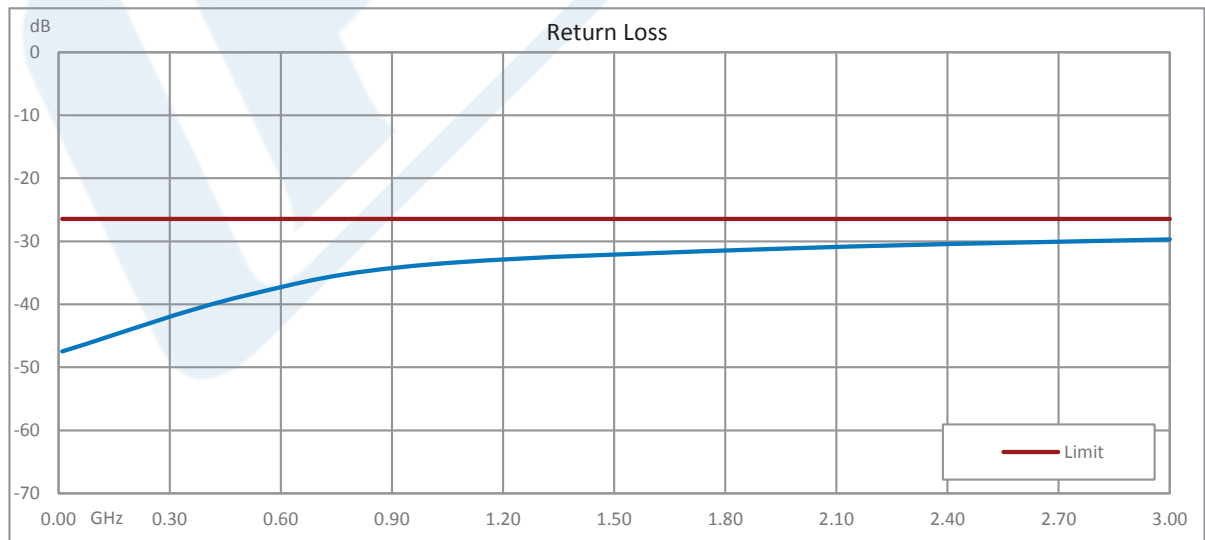
Compliance Certifications (visit www.Pasternack.com for current document)

RoHS Compliant
REACH Compliant 12/17/2015

Plotted and Other Data

Notes:

Typical Performance Data



Click the following link (or enter part number in "SEARCH" on website) to obtain additional part information including price, inventory and certifications: [2 Watt RF Load Up to 3 GHz With 7/16 DIN Male Input Aluminum PE6TR1013](#)



2 Watt RF Load Up to 3 GHz With 7/16 DIN Male Input Aluminum

RF Terminations Technical Data Sheet

PE6TR1013

2 Watt RF Load Up to 3 GHz With 7/16 DIN Male Input Aluminum from Pasternack Enterprises has same day shipment for domestic and International orders. Our RF, microwave and millimeter wave products maintain a 99% availability and are part of the broadest selection in the industry.

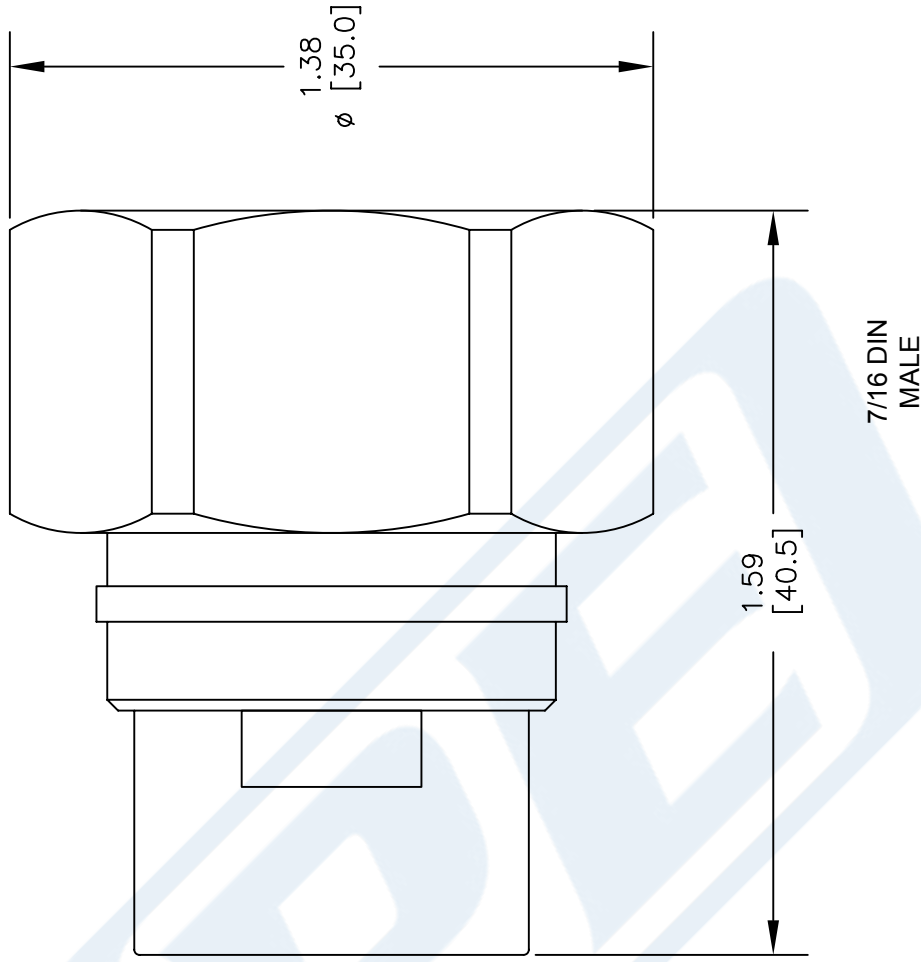
Click the following link (or enter part number in "SEARCH" on website) to obtain additional part information including price, inventory and certifications: [2 Watt RF Load Up to 3 GHz With 7/16 DIN Male Input Aluminum PE6TR1013](http://www.pasternack.com/2-watts-7-16-din-male-rf-load-up-to-3-ghz-pe6tr1013-p.aspx)

URL: <http://www.pasternack.com/2-watts-7-16-din-male-rf-load-up-to-3-ghz-pe6tr1013-p.aspx>

The information contained in this document is accurate to the best of our knowledge and representative of the part described herein. It may be necessary to make modifications to the part and/or the documentation of the part, in order to implement improvements. Pasternack reserves the right to make such changes as required. Unless otherwise stated, all specifications are nominal. Pasternack does not make any representation or warranty regarding the suitability of the part described herein for any particular purpose, and Pasternack does not assume any liability arising out of the use of any part or documentation.

PE6TR1013 CAD Drawing

2 Watt RF Load Up to 3 GHz With 7/16 DIN Male Input Aluminum



STANDARD TOLERANCES	
.X	±0.2
.XX	±0.1
.XXX	±0.05

*STANDARD TOLERANCES APPLY ONLY TO DIMENSIONS IN INCHES

NOTES:
 1. UNLESS OTHERWISE SPECIFIED ALL DIMENSIONS ARE NOMINAL.
 2. ALL SPECIFICATIONS ARE SUBJECT TO CHANGE WITHOUT NOTICE AT ANY TIME.
 3. DIMENSIONS ARE IN INCHES [mm].

DWG TITLE
PE6TR1013

FSCM NO. 53919

3045

PE PASTERNAK
 THE ENGINEER'S RF SOURCE
 Pasternack Enterprises, Inc.
 P.O. Box 16759 | Irvine | CA | 92623

Phone: (949) 261-1920 | Fax: (949) 261-7451

Website: www.pasternack.com | E-Mail: sales@pasternack.com

SIZE A

SCALE N/A

CAD FILE 052616