



0.25 Watt RF Load Up to 3 GHz With 75 Ohm F Male Input Nickel Plated Zinc

RF Terminations Technical Data Sheet

PE6202

Features

- RF 75 Ohm Load
- DC to 3 GHz Frequency Range
- Return Loss -22 dB Max
- Max Power 0.25 Watt (CW)
- F Male Coaxial Interface
- HDTV Compatible

Applications

- CATV
- Wireless
- SatCom
- Radar Systems
- Test and Measurement
- Commercial and Military
- Communication

Description

Pasternack's PE6202 is an RF termination (also called RF load or dummy load) that operates from DC to 3 GHz and handles up to 0.25 Watt (CW). Our F termination / load has a male gender. PE6202 75 Ohm F load termination offers -22 dB max return loss.

RF load / terminations are indispensable components in many RF, microwave and millimeter wave systems where signal reflection from unused ports can potentially damage the device or reduce the signal integrity. By using a terminator on an unused port with a matched load (dummy load), the incident energy will be absorbed with minimal reflection. These termination components are commonly used to terminate devices such as couplers, circulators, and switches. They are also widely used in measurement systems to ensure accurate results. Pasternack offers a huge selection of RF, microwave and millimeter wave terminations up to 65 GHz with excellent performance over the entire operating range and power handling capabilities up to 800 Watt (CW).

Electrical Specifications

Description	Minimum	Typical	Maximum	Units
Frequency Range	DC		3	GHz
Impedance		75		Ohms
Return Loss			-22	dB
Input Power (CW)			0.25	Watts

Performance by Frequency

Description	F1	F2	F3	F4	F5	Units
Frequency Range	DC to 1	1 to 2	2 to 3			GHz
Return Loss, Max	-40	-30	-22			dB

Mechanical Specifications

Width 0.4 in [10.16 mm]

Click the following link (or enter part number in "SEARCH" on website) to obtain additional part information including price, inventory and certifications: [0.25 Watt RF Load Up to 3 GHz With 75 Ohm F Male Input Nickel Plated Zinc PE6202](#)



0.25 Watt RF Load Up to 3 GHz With 75 Ohm
F Male Input Nickel Plated Zinc

RF Terminations Technical Data Sheet

PE6202

Weight 0.02 lbs [9.07 g]

Configuration

Connector F Male
Hex Size 7/16 inch

Material Specifications

Description	Material	Plating
Insulation	PE	
Body	Zinc	Nickel
Coupling Nut	Zinc	Nickel
Housing	Zinc	Nickel

Compliance Certifications (visit www.Pasternack.com for current document)

RoHS Compliant
REACH Compliant 12/17/2015

Plotted and Other Data

Notes:

0.25 Watt RF Load Up to 3 GHz With 75 Ohm F Male Input Nickel Plated Zinc from Pasternack Enterprises has same day shipment for domestic and International orders. Our RF, microwave and millimeter wave products maintain a 99% availability and are part of the broadest selection in the industry.

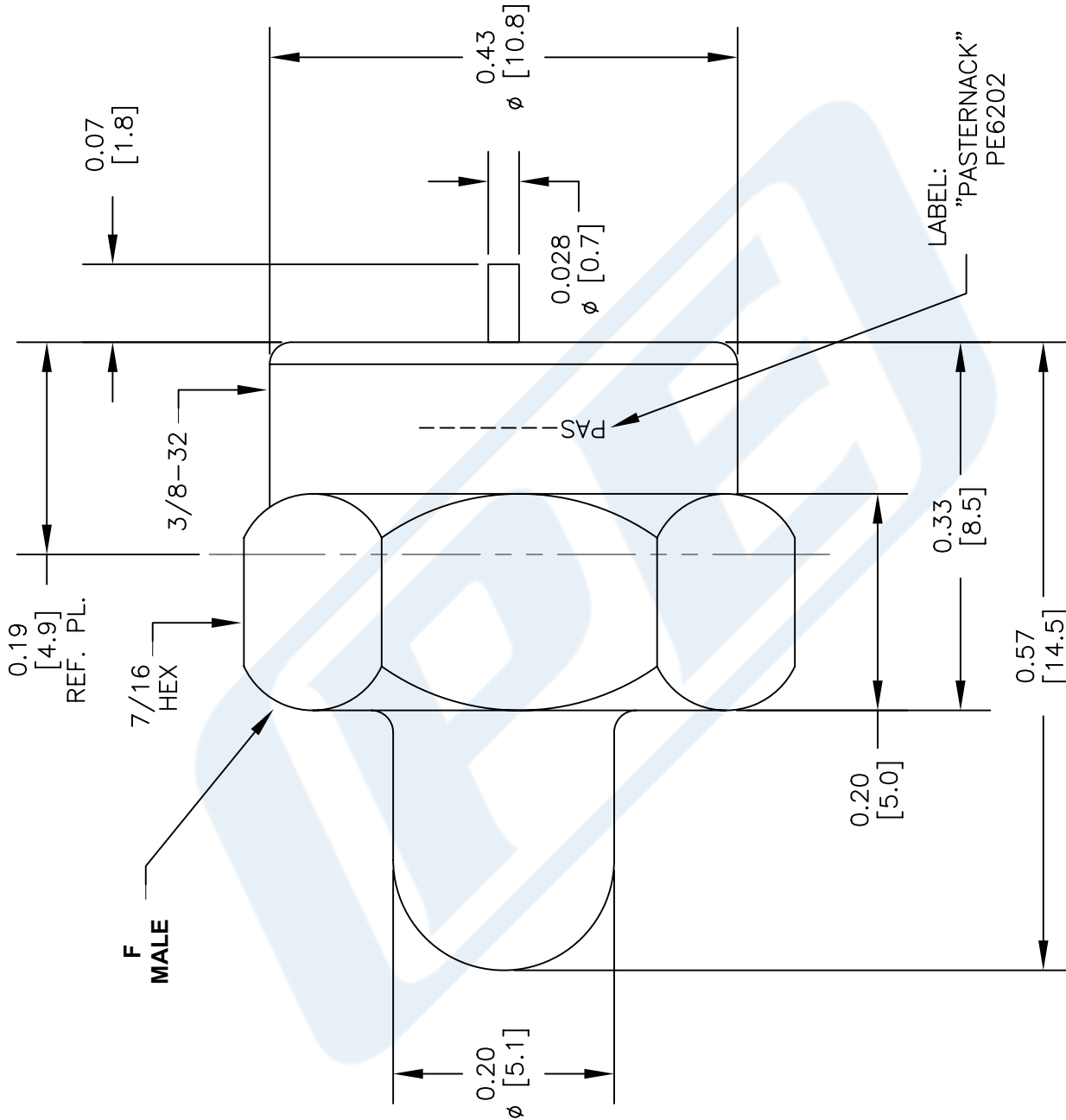
Click the following link (or enter part number in "SEARCH" on website) to obtain additional part information including price, inventory and certifications: [0.25 Watt RF Load Up to 3 GHz With 75 Ohm F Male Input Nickel Plated Zinc PE6202](http://www.pasternack.com/0.25-watts-f-male-rf-load-up-to-3-ghz-precision-pe6202-p.aspx)

URL: <http://www.pasternack.com/0.25-watts-f-male-rf-load-up-to-3-ghz-precision-pe6202-p.aspx>

The information contained in this document is accurate to the best of our knowledge and representative of the part described herein. It may be necessary to make modifications to the part and/or the documentation of the part, in order to implement improvements. Pasternack reserves the right to make such changes as required. Unless otherwise stated, all specifications are nominal. Pasternack does not make any representation or warranty regarding the suitability of the part described herein for any particular purpose, and Pasternack does not assume any liability arising out of the use of any part or documentation.

PE6202 CAD Drawing

0.25 Watt RF Load Up to 3 GHz With 75 Ohm F Male Input Nickel Plated Zinc



STANDARD TOLERANCES	
.X	±0.2
.XX	±0.1
.XXX	±0.05

*STANDARD TOLERANCES APPLY ONLY TO DIMENSIONS IN INCHES

NOTES:
 1. UNLESS OTHERWISE SPECIFIED ALL DIMENSIONS ARE NOMINAL.
 2. ALL SPECIFICATIONS ARE SUBJECT TO CHANGE WITHOUT NOTICE AT ANY TIME.
 3. DIMENSIONS ARE IN INCHES [mm].

DWG TITLE
PE6202

PE PASTERNAK
 THE ENGINEER'S RF SOURCE
 Pasternack Enterprises, Inc.
 P.O. Box 16759 | Irvine | CA | 92623
 Phone: (949) 261-1920 | Fax: (949) 261-7451
 Website: www.pasternack.com | E-Mail: sales@pasternack.com

CAD FILE	052616	SCALE	N/A	SIZE	A
FSCM NO.	53919				
					3045