



## 3-SLOT TRB PLUG 3000 OHM TERMINATOR W 6" CHAIN

### RF Terminations Technical Data Sheet

**PE410-06403-038**

#### Applications

- TRB PLUG

#### Electrical Specifications

| Description     | Minimum | Typical | Maximum | Units |
|-----------------|---------|---------|---------|-------|
| Frequency Range | DC      |         | 500     | MHz   |
| Impedance       |         | 3,000   |         | Ohms  |

#### Mechanical Specifications

##### Size

|        |                      |
|--------|----------------------|
| Length | 1.76 in [44.7 mm]    |
| Width  | 0.56 in [14.22 mm]   |
| Height | 0.56 in [14.22 mm]   |
| Weight | 0.0625 lbs [28.35 g] |

##### Configuration

|                         |                 |
|-------------------------|-----------------|
| Connector               | TRB 3-Slot Plug |
| Connector Specification | MIL-STD-1553    |

#### Material Specifications

| Description         | Material | Plating                            |
|---------------------|----------|------------------------------------|
| Connector 1 Contact | Bronze   | Gold 30 micro inches<br>ASTM-B-488 |
| Gasket              | Rubber   |                                    |
| Body                | Brass    | Nickel<br>ASTM-B-733               |

#### Environmental Specifications

##### Temperature

|                 |                   |
|-----------------|-------------------|
| Operating Range | -55 to +200 deg C |
|-----------------|-------------------|

#### Compliance Certifications (see [product page](#) for current document)

#### Plotted and Other Data

Notes:

Click the following link (or enter part number in "SEARCH" on website) to obtain additional part information including price, inventory and certifications: [3-SLOT TRB PLUG 3000 OHM TERMINATOR W 6" CHAIN PE410-06403-038](#)



## 3-SLOT TRB PLUG 3000 OHM TERMINATOR W 6" CHAIN

### RF Terminations Technical Data Sheet

**PE410-06403-038**

3-SLOT TRB PLUG 3000 OHM TERMINATOR W 6" CHAIN from Pasternack Enterprises has same day shipment for domestic and International orders. Our RF, microwave and millimeter wave products maintain a 99.4% availability and are part of the broadest selection in the industry.

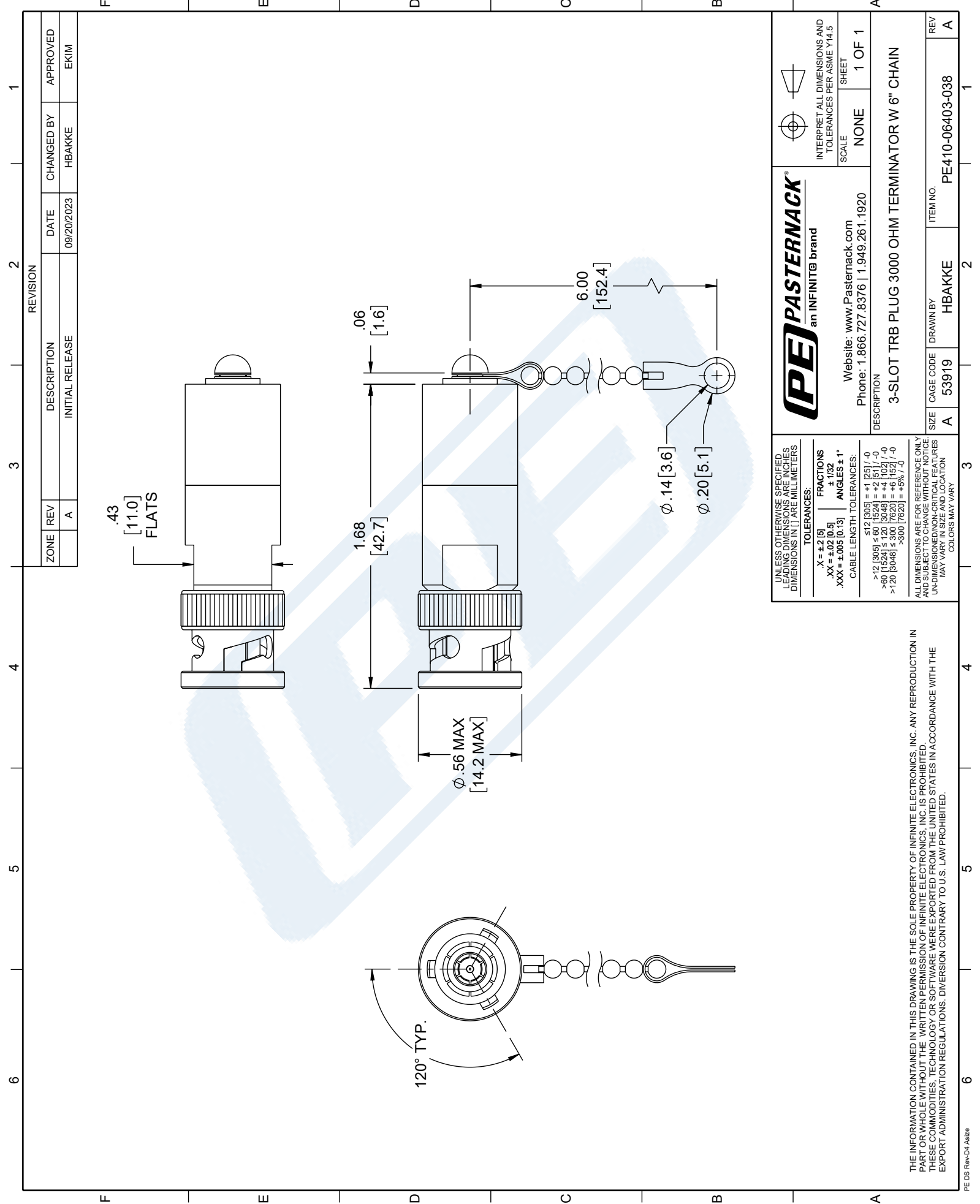
Click the following link (or enter part number in "SEARCH" on website) to obtain additional part information including price, inventory and certifications: [3-SLOT TRB PLUG 3000 OHM TERMINATOR W 6" CHAIN PE410-06403-038](https://www.pasternack.com/3-slot-trb-plug-3000-ohm-terminator-w-6-chain-pe410-06403-038)

URL: <https://www.pasternack.com/3-slot-trb-plug-3000-ohm-terminator-w-6-chain-pe410-06403-038-p.aspx>

The information contained in this document is accurate to the best of our knowledge and representative of the part described herein. It may be necessary to make modifications to the part and/or the documentation of the part, in order to implement improvements. Pasternack reserves the right to make such changes as required. Unless otherwise stated, all specifications are nominal. Pasternack does not make any representation or warranty regarding the suitability of the part described herein for any particular purpose, and Pasternack does not assume any liability arising out of the use of any part or documentation.

# PE410-06403-038 CAD Drawing

3-SLOT TRB PLUG 3000 OHM TERMINATOR W 6" CHAIN



| REVISION |     | DATE            | CHANGED BY | APPROVED |
|----------|-----|-----------------|------------|----------|
| ZONE     | REV | DESCRIPTION     |            |          |
|          | A   | INITIAL RELEASE | HBAKKE     | EKIM     |

|  |   |   |
|--|---|---|
| <b>PASTERNAK</b><br>an INFINITI® brand   |   | INTERPRET ALL DIMENSIONS AND TOLERANCES PER ASME Y14.5<br>SCALE NONE<br>SHEET 1 OF 1  |
| Website: www.Pasternack.com<br>Phone: 1.866.727.8376   1.949.261.1920  |   |   |
| DESCRIPTION<br><b>3-SLOT TRB PLUG 3000 OHM TERMINATOR W 6" CHAIN</b>   |   |   |
| UNLESS OTHERWISE SPECIFIED, LEADING DIMENSIONS ARE IN INCHES, DIMENSIONS IN [ ] ARE MILLIMETERS.   | TOLERANCES:<br>.X = ± 2 [5]<br>.XX = ± 02 [0.5]<br>.XXX = ± 005 [0.13]            | FRACTIONS ± 1/32<br>ANGLES ± 1°<br>CABLE LENGTH TOLERANCES:<br>≤ 12 [305] = +1 [25] / -0<br>> 12 [305] ≤ 60 [1524] = +2 [51] / -0<br>> 60 [1524] ≤ 120 [3048] = +4 [102] / -0<br>> 120 [3048] ≤ 300 [7620] = +58 [1.5] / -0 |
| ALL DIMENSIONS ARE FOR REFERENCE ONLY AND SUBJECT TO CHANGE WITHOUT NOTICE. UNDIMENSIONED NON-CRITICAL FEATURES MAY VARY IN SIZE AND LOCATION. COLORS MAY VARY.  |   |   |
| THE INFORMATION CONTAINED IN THIS DRAWING IS THE SOLE PROPERTY OF INFINITE ELECTRONICS, INC. ANY REPRODUCTION IN PART OR WHOLE WITHOUT THE WRITTEN PERMISSION OF INFINITE ELECTRONICS, INC. IS PROHIBITED. THESE COMMODITIES, TECHNOLOGY OR SOFTWARE WERE EXPORTED FROM THE UNITED STATES IN ACCORDANCE WITH THE EXPORT ADMINISTRATION REGULATIONS. DIVERSION CONTRARY TO U.S. LAW PROHIBITED. | SIZE A<br>CAGE CODE 53919<br>DRAWN BY HBAKKE<br>ITEM NO. PE410-06403-038<br>REV A |   |