

## RF Load 0.5 Watts to 26.5 GHz Gold Plated Beryllium Copper SMP Female

RF termination (also called RF load or dummy load) ST2645 from Fairview Microwave operates from DC to 26.5 GHz and handles up to 0.5 Watt (CW). This SMP termination (or load) has a female gender. ST2645 SMP load termination offers 1.3:1 max VSWR.

RF terminations / loads are critical passive components in many RF, microwave and millimeter wave systems where signal reflection from unused ports can reduce the signal integrity and can potentially damage the device. By terminating an unused port with a matched load (dummy load), the incident energy will be absorbed with minimal reflection. These radio frequency termination components are commonly used to terminate devices such as couplers, circulators, and switches. Loads / terminations are also widely used in measurement systems to ensure accurate results. Fairview offers a large selection of in-stock RF, microwave and millimeter wave terminations up to 65 GHz with great performance over the entire operating range and with power handling capabilities up to 800 Watts (CW).

### Electrical Specifications

Description	Min	Typ	Max	Units
Frequency Range	DC		26.5	GHz
Impedance		50		Ohms
VSWR			1.3:1	
Input Power (CW)			0.5	Watts

### Mechanical Specifications

<b>Size</b>	
Length	0.315 in [8 mm]
Width	0.15 in [3.81 mm]
Weight	0.0017 lbs [0.77 g]

	Full Detent	Limited Detent	Smooth Bore
Force to Engage (lbs Max)	15.0	8.0	2.0
Force to Disengage (lbs Min)	5.0	2.0	0.5
Durability (Cycles Min)	100	500	1000

### Configuration

Connector	SMP Female
Connector Specification	MIL-STD-348



### Features:

- DC to 26.5 GHz Frequency Range
- VSWR 1.3:1 Max
- Max Power 0.5 Watt (CW)
- SMP Female Coaxial Interface

### Applications:

- Wireless
- SatCom
- Radar Systems
- Test and Measurement
- Commercial and Military Communication

Fairview Microwave  
 301 Leora Ln., Suite 100  
 Lewisville, TX 75056  
 Tel: 1-800-715-4396 / (972) 649-6678  
 Fax: (972) 649-6689  
[www.fairviewmicrowave.com](http://www.fairviewmicrowave.com)  
[sales@fairviewmicrowave.com](mailto:sales@fairviewmicrowave.com)

**Material Specifications**

Description	Material	Plating
Connector 1 Contact	Beryllium Copper	Gold MIL-DTL-45204
Insulation	PTFE	
Body	Beryllium Copper	Gold MIL-DTL-45204
Housing	Beryllium Copper	Gold MIL-DTL-45204

**Environmental Specifications**

**Temperature**

Operating Range

-65 to +125 deg C

Shock

MIL-STD-202, METHOD 213, CONDITION I

Vibration

MIL-STD-202, METHOD 202, CONDITION F

Thermal Shock

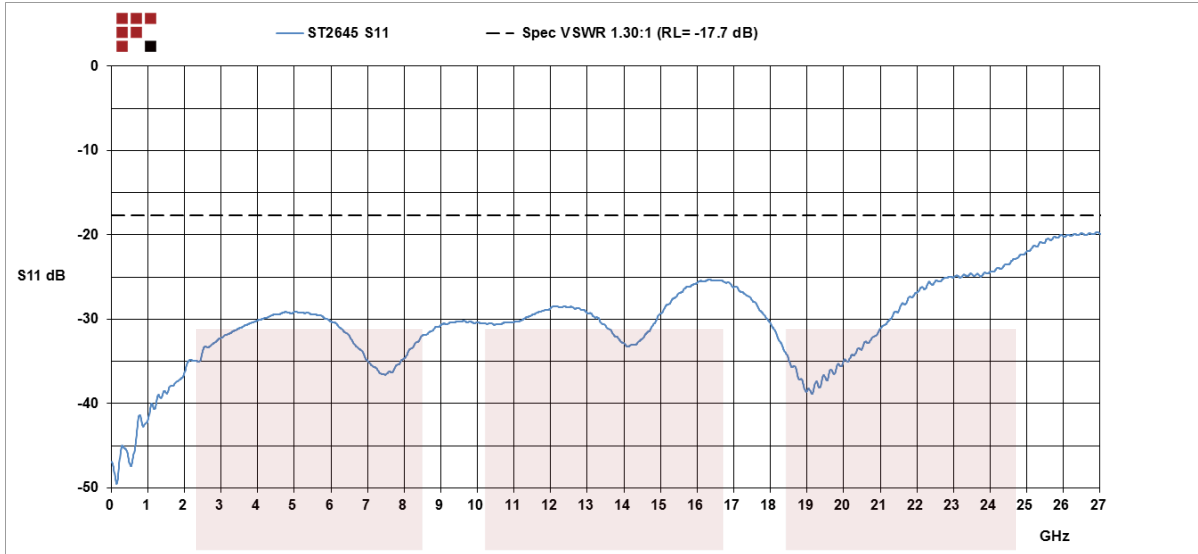
MIL-STD-202, METHOD 107, CONDITION B

**Compliance Certifications** (see [product page](#) for current document)

**Plotted and Other Data**

Notes:

**Typical Performance Data**

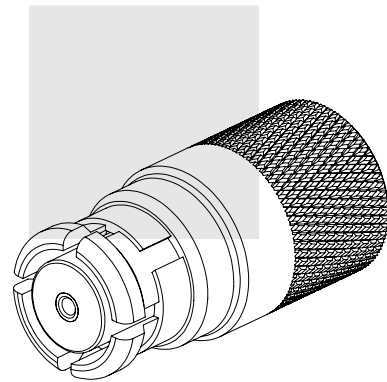
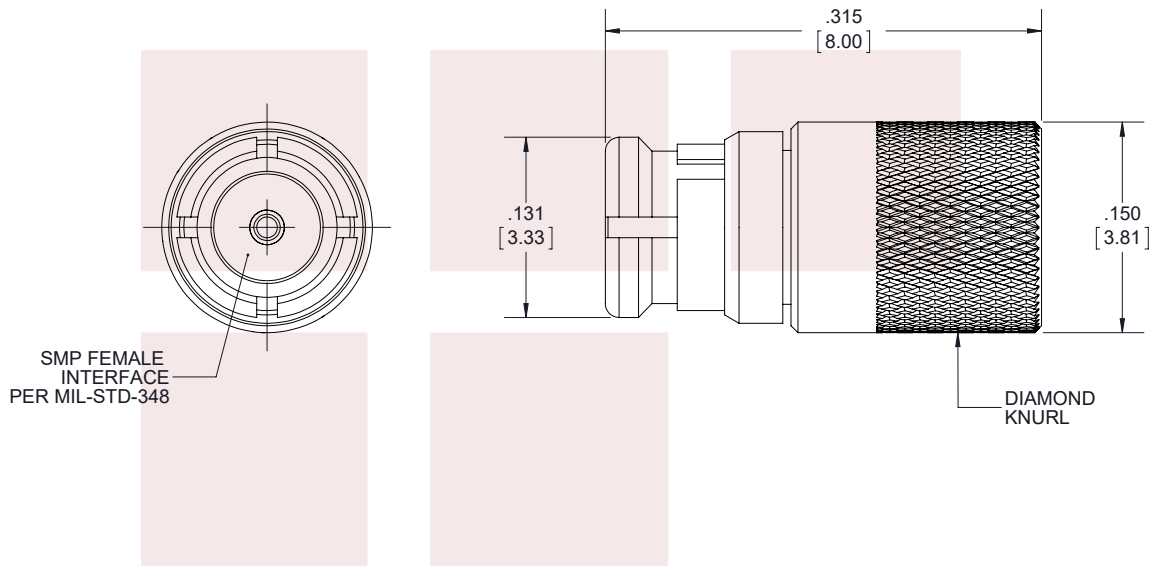


RF Load 0.5 Watts to 26.5 GHz Gold Plated Beryllium Copper SMP Female from Fairview Microwave is in-stock and available to ship same-day. All of our RF/microwave products are available off-the-shelf from our ISO 9001:2008 certified facilities in Lewisville, Texas. Fairview Microwave is RF on-demand.

For additional information on this product, please click the following link: [RF Load 0.5 Watts to 26.5 GHz Gold Plated Beryllium Copper SMP Female ST2645](#)

URL: <https://www.fairviewmicrowave.com/rf-load-0.5-watts-26.5-ghz-smp-female-st2645-p.aspx>

The information contained in this document is accurate to the best of our knowledge and representative of the part described herein. It may be necessary to make modifications to the part and/or the documentation of the part, in order to implement improvements. Fairview Microwave reserves the right to make such changes as required. Unless otherwise stated, all specifications are nominal. Fairview Microwave does not make any representation or warranty regarding the suitability of the part described herein for any particular purpose, and Fairview Microwave does not assume any liability arising out of the use of any part or documentation.



STANDARD TOLERANCES	
.X	±0.2
.XX	±0.01
.XXX	±0.005

\*STANDARD TOLERANCES APPLY ONLY TO DIMENSIONS IN INCHES

<b>FAIRVIEW MICROWAVE INC.</b> WWW.FAIRVIEWMICROWAVE.COM		NOTES: 1. UNLESS OTHERWISE SPECIFIED ALL DIMENSIONS ARE NOMINAL. 2. ALL SPECIFICATIONS ARE SUBJECT TO CHANGE WITHOUT NOTICE AT ANY TIME. 3. DIMENSIONS ARE IN INCHES [mm].				
TITLE RF Load 0.5 Watts to 26.5 GHz Gold Plated Beryllium Copper SMP Female		DWG NO ST2645		CAGE CODE 3FKR5		
CAD FILE	091917	SHEET	1 OF 1	SCALE	N/A	SIZE A 7361