

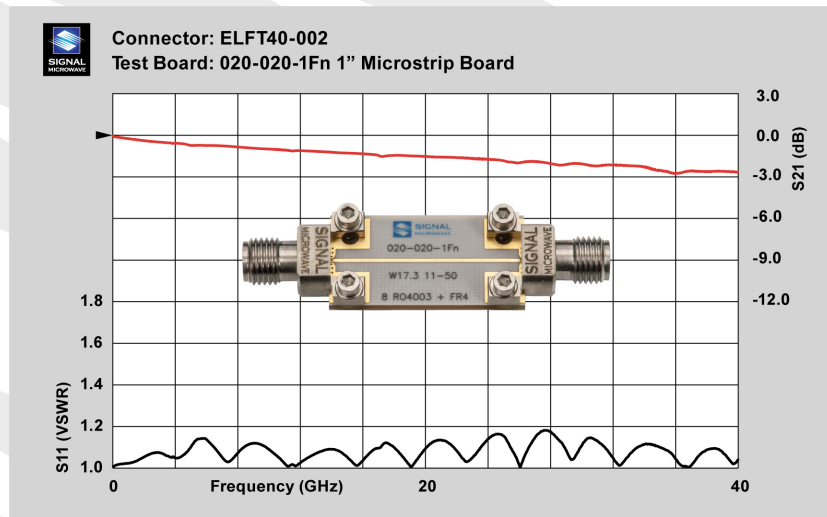
ELFT40-002

# Signal Microwave ELFT40

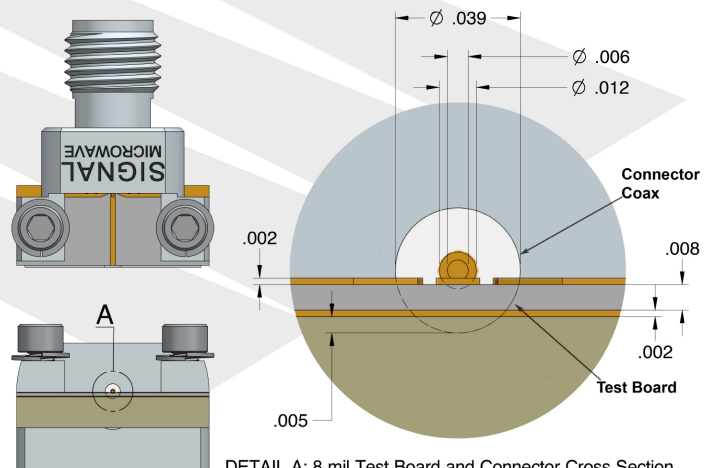
## 2.92 mm Edge Launch Drop-in Replacement Connector to Improve Performance on Existing Boards.

The trend towards thinner microwave substrate layers led to the development of this new connector with higher performance when matched to these thinner layers. The common range of high frequency board materials being used are in the substrate thickness ranges of 5 mils to 10 mils with dielectric constants of 3.0 to 3.5.

- 2.92 mm Interface
- 1.15:1 VSWR max
- Top Ground Only
- 40 GHz Bandwidth
- Board Design Support Available
- Test Boards Available
- Samples with Data Available
- No Soldering Required
- Optimized for 5–10 mil Substrate



1" microstrip test board with typical data through 40 GHz



**Signal Microwave, LLC**  
Tempe, Arizona  
info@signalmicrowave.com  
www.signalmicrowave.com  
(480) 322-4992