



## 7/16 DIN Female Low PIM Connector Solder Attachment for SPP-375-LLPL, SPO-375, SPF-375

### RF Connectors Technical Data Sheet

TC-SPP375-716F-LP

#### Times Microwave Systems Connector Specification

##### Configuration

- 7/16 DIN Female Connector
- 50 Ohms
- Straight Body Geometry
- Connector Interface Types: SPP-375-LLPL, SPO-375, SPF-375
- Low PIM Design

##### Features

- Max. Operating Frequency 6 GHz
- Excellent VSWR of 1.25:1
- Silver Plated Phosphor Bronze Contact
- 200 µin contact plating

##### Applications

- General Purpose Test
- Custom Cable Assemblies
- Distributed Antenna Systems (DAS)
- Wireless Communications
- Low PIM Applications

##### Description

Times Microwave's TC-SPP375-716F-LP 7/16 DIN female connector offered by Pasternack with solder/solder attachment for Times' SPP-375-LLPL, SPO-375 and SPF-375 is part of our full line of RF components available for same-day shipping. Times Microwave's 7/16 DIN female connector operates up to a maximum frequency of 6 GHz and offers excellent VSWR of 1.25:1.

Times Microwave's 7/16 DIN female connector TC-SPP375-716F-LP datasheet specifications and drawing with dimensions are shown below in this PDF. Pasternack's broad catalog of RF, microwave and millimeter wave connectors allows designers to configure and customize their signal connections however they like. Whether the need is to provide an I/O for a board design, or simply create a custom cable assembly configuration, Pasternack has the right connector for the job. Pasternack can also expertly build your custom cable assemblies for you and ship same-day.

##### Electrical Specifications

Description	Minimum	Typical	Maximum	Units
Frequency Range	DC		6	GHz
VSWR			1.25:1	
Insertion Loss			0.25	dB
Operating Voltage (DC)			1,500	Vdc
Insulation Resistance	10,000			MOhms

Electrical Specification Notes:  
Insertion Loss is  $0.1 \cdot \sqrt{f(\text{GHz})}$

##### Mechanical Specifications

###### Size

Length 1.5 in [38.1 mm]  
Width/Dia. 1.14 in [28.96 mm]

Click the following link (or enter part number in "SEARCH" on website) to obtain additional part information including price, inventory and certifications: [7/16 DIN Female Low PIM Connector Solder Attachment for SPP-375-LLPL, SPO-375, SPF-375 TC-SPP375-716F-LP](#)



## 7/16 DIN Female Low PIM Connector Solder Attachment for SPP-375-LLPL, SPO-375, SPF-375

### RF Connectors Technical Data Sheet

TC-SPP375-716F-LP

#### Material Specifications

Description	Material	Plating
Contact	Phosphor Bronze	Silver 200 µin
Insulation	PTFE	
Body	Brass	Tri-Metal 80 µin

#### Environmental Specifications

##### Temperature

Operating Range

-55 to +85 deg C

Shock

US MIL-STD 202G

Vibration

US MIL-STD 202G

Thermal Shock

US MIL-STD 202G

**Compliance Certifications** (see [product page](#) for current document)

#### Plotted and Other Data

Notes:

7/16 DIN Female Low PIM Connector Solder Attachment for SPP-375-LLPL, SPO-375, SPF-375 from Pasternack Enterprises has same day shipment for domestic and International orders. Our RF, microwave and millimeter wave products maintain a 99.4% availability and are part of the broadest selection in the industry.

Click the following link (or enter part number in "SEARCH" on website) to obtain additional part information including price, inventory and certifications: [7/16 DIN Female Low PIM Connector Solder Attachment for SPP-375-LLPL, SPO-375, SPF-375 TC-SPP375-716F-LP](#)

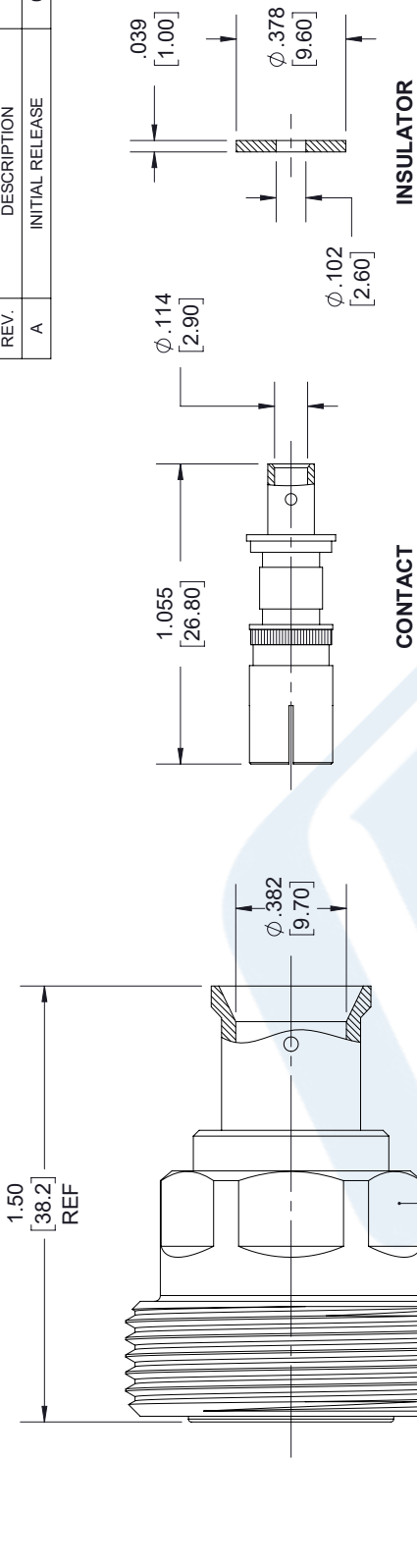
URL: <https://www.pasternack.com/7-16-din-female-spp-375-llpl-connector-tc-spp375-716f-lp-p.aspx>

The information contained in this document is accurate to the best of our knowledge and representative of the part described herein. It may be necessary to make modifications to the part and/or the documentation of the part, in order to implement improvements. Pasternack reserves the right to make such changes as required. Unless otherwise stated, all specifications are nominal. Pasternack does not make any representation or warranty regarding the suitability of the part described herein for any particular purpose, and Pasternack does not assume any liability arising out of the use of any part or documentation.

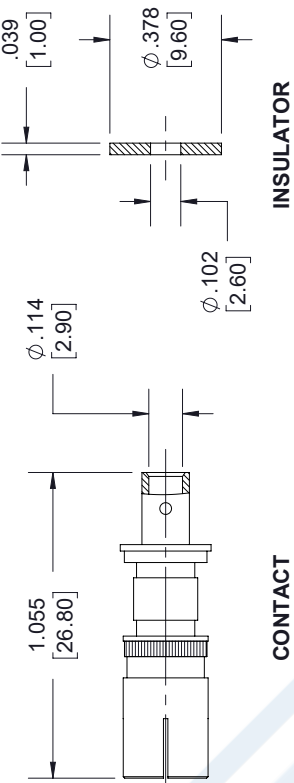
# TC-SPP375-716F-LP CAD Drawing

7/16 DIN Female Low PIM Connector Solder Attachment  
for SPP-375-LLPL, SPO-375, SPF-375

REVISIONS			
REV.	DESCRIPTION	DATE	APPROVED
A	INITIAL RELEASE	03/04/19	S.SELLIS

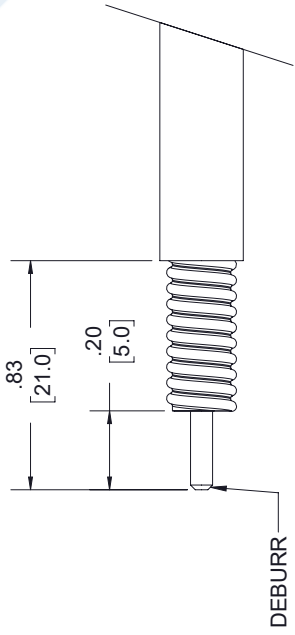


7/16 DIN FEMALE



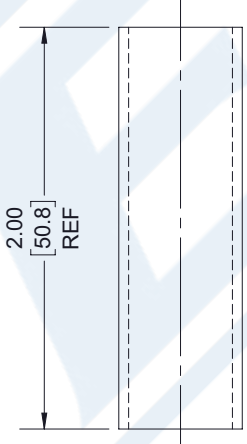
CONTACT

INSULATOR

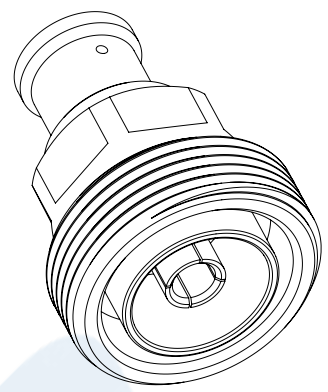


STRIPPING DIMENSIONS

- NOTES:
- CABLE ATTACHMENT:
    - OUTER: SOLDER.
    - INNER: SOLDER.



SHRINK TUBE



UNLESS OTHERWISE SPECIFIED LEADING DIMENSIONS ARE INCHES DIMENSIONS IN [ ] ARE MILLIMETERS	
TOLERANCES:	FRACTIONS
X±.2 [5.08]	±.132
.XX±.01 [25]	±.132
.XXX±.005 [13]	±.132
ALL DIMENSIONS SHOWN ARE FOR REFERENCE ONLY.	
THIRD-ANGLE PROJECTION	

**PE PASTERNAK**  
an INFINITO brand

Pasternack Enterprises, Inc.  
P.O. Box 16759, Irvine, CA 92623.  
Phone: 1.949.261.1920 | 1.866.727.8376  
Fax: 1.949.261.7451  
www.pasternack.com | e-mail: sales@pasternack.com

THE INFORMATION AND DESIGN IN THIS DOCUMENT IS THE PROPERTY OF PASTERNAK CORPORATION. ALL RIGHTS RESERVED.

SHEET 1 OF 1  
SCALE N/A

SIZE	CAGE	DRAWN BY	PART NUMBER	REV
A	53919	K.DANG	TC-SPP375-716F-LP	A

THESE COMMODITIES, TECHNOLOGY OR SOFTWARE WERE EXPORTED FROM THE UNITED STATES IN ACCORDANCE WITH THE EXPORT ADMINISTRATION REGULATIONS. DIVERSION CONTRARY TO U.S. LAW PROHIBITED.