

N Female Low PIM Connector Solder Attachment for SPF-250, SPO-250, SPP-250-LLPL, 1/4" Superflexible, PE-1/4SFHC



PE45993

Configuration

- N Female Connector
- 50 Ohms
- Straight Body Geometry
- Connector Interface Types: SPF-250, SPO-250, SPP-250-LLPL, 1/4" Superflexible, PE-1/4SFHC
- Low PIM Design

Features

- Max. Operating Frequency 11 GHz
- Silver Plated Beryllium Copper Contact
- Max of VSWR 1.12:1 at 4.1GHz, Max of VSWR 1.18:1 at 6.2GHz, Max of VSWR 1.44:1 at 11GHz
- PIM is less than -155dBc at 1.8GHz typical

Applications

- General Purpose Test
- Wireless Communications
- Custom Cable Assemblies
- Low PIM Applications

Description

Pasternack's PE45993 type N , N, Low PIM, Connector is part of our full line of RF components available for same-day shipping. Our type N female connector operates up to a maximum frequency of 11 GHz.

Our type N female connector PE45993 datasheet specifications and drawing with dimensions are shown below in this PDF. Pasternack's broad catalog of RF, microwave and millimeter wave connectors allows designers to configure and customize their signal connections however they like. Whether the need is to provide an I/O for a board design, or simply create a custom cable assembly configuration, Pasternack has the right connector for the job. Pasternack can also expertly build your custom cable assemblies for you and ship same-day.

Electrical Specifications

| Description | Minimum | Typical | Maximum | Units |
|--------------------------------------|---------|---------|---------|-------|
| Frequency Range | DC | | 11 | GHz |
| Dielectric Withstanding Voltage (AC) | | | 1,600 | Vrms |
| Impedance | | 50 | | Ohms |

Mechanical Specifications

Size

- Length 1.311024 in [33.3 mm]
- Width 0.779528 in [19.80 mm]
- Height 0.779528 in [19.8 mm]
- Weight 0.06006 lbs [27.24 g]
- Mating Cycles 500 Cycles

N Female Low PIM Connector Solder Attachment for SPF-250, SPO-250, SPP-250-LLPL, 1/4" Superflexible, PE-1/4SFHC



PE45993

Material Specifications

| Description | Material | Plating |
|-----------------|------------------|---------|
| Contact | Beryllium Copper | Silver |
| Insulation | PTFE | |
| Outer Conductor | Brass | Silver |
| Body | Brass | Silver |

Environmental Specifications

Temperature

Operating Range -55 to +85 deg C

Environmental Specification Notes:

EC 61169-16

Compliance Certifications (see [product page](#) for current document)

Plotted and Other Data

Notes:

N Female Low PIM Connector Solder Attachment for SPF-250, SPO-250, SPP-250-LLPL, 1/4" Superflexible, PE-1/4SFHC from Pasternack Enterprises has same day shipment for domestic and International orders. Our RF, microwave and millimeter wave products maintain a 99.4% availability and are part of the broadest selection in the industry.

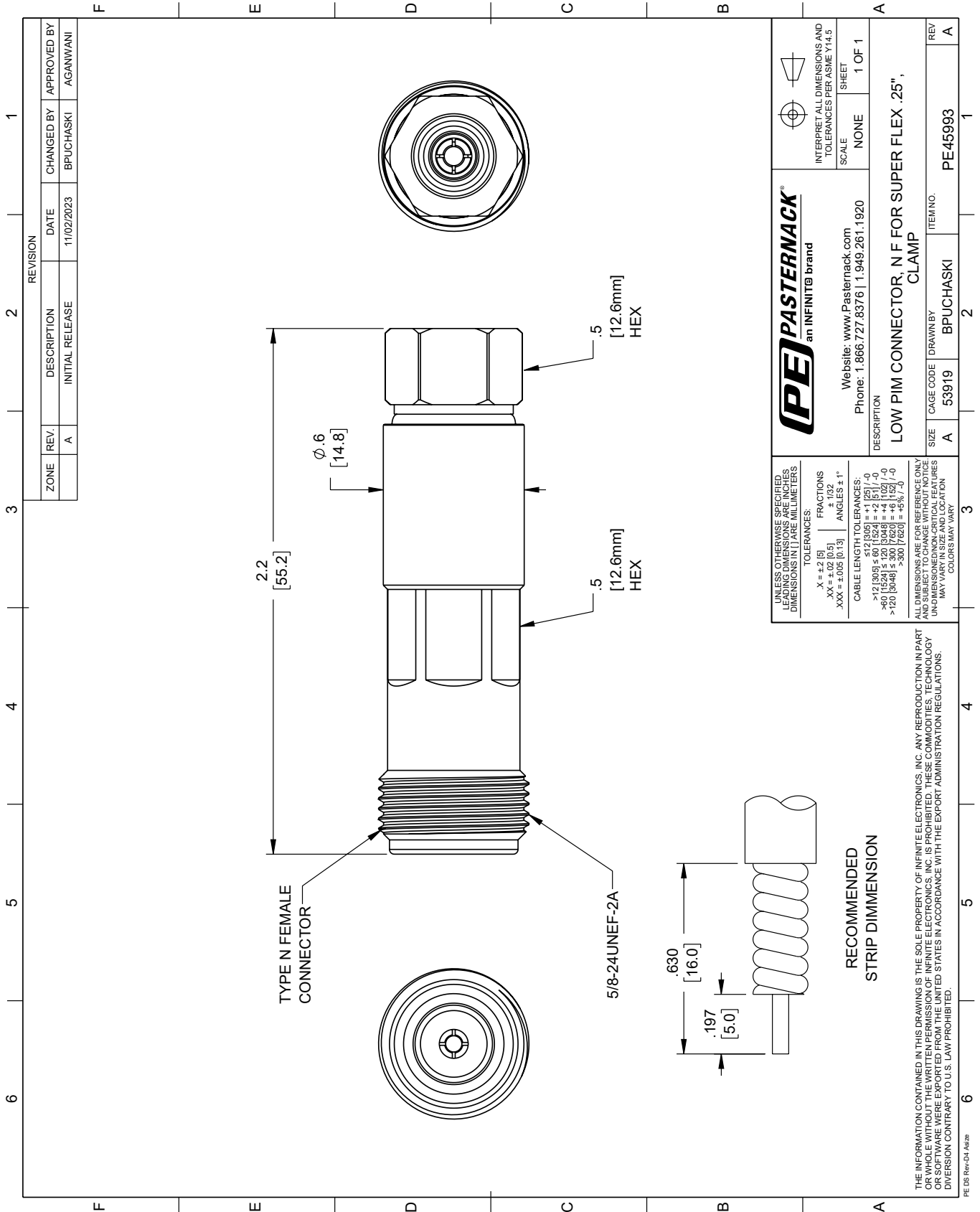
Click the following link (or enter part number in "SEARCH" on website) to obtain additional part information including price, inventory and certifications: [N Female Low PIM Connector Solder Attachment for SPF-250, SPO-250, SPP-250-LLPL, 1/4" Superflexible, PE-1/4SFHC PE45993](#)

URL: <https://www.pasternack.com/n-female-spf-250-spo-250-spp-250-llpl-connector-pe45993-p.aspx>

The information contained within this document is accurate to the best of our knowledge and representative of the part described herein. It may be necessary to make modifications to the part and/or the documentation of the part in order to implement improvements. Pasternack Enterprises reserves the right to make such changes as required. Unless otherwise stated, all specifications are nominal. Pasternack Enterprises does not make any representation or warranty regarding the suitability of the part described herein for any particular purpose, and Pasternack Enterprises does not assume liability arising out of the use of any part or document.

PE45993 CAD Drawing

N Female Low PIM Connector Solder Attachment for SPF-250, SPO-250, SPP-250-LLPL, 1/4" Superflexible, PE-1/4SFHC



| REVISION | | DATE | CHANGED BY | APPROVED BY |
|----------|------|-------------|-----------------|-------------|
| ZONE | REV. | DESCRIPTION | INITIAL RELEASE | |
| | A | | 11/02/2023 | BPUCHASKI |
| | | | | AGANWANI |

PE PASTERNAK
an INFINITI® brand

Website: www.Pasternack.com
Phone: 1.866.727.8376 | 1.949.261.1920

INTERPRET ALL DIMENSIONS AND TOLERANCES PER ASME Y14.5
SCALE: NONE
SHEET: 1 OF 1

UNLESS OTHERWISE SPECIFIED, LEADING DIMENSIONS ARE IN INCHES. DIMENSIONS IN [] ARE MILLIMETERS.

TOLERANCES:
 .X = ±.2 [5] FRACTIONS ± 1/32
 .XX = ±.02 [0.5] ANGLES ± 1°
 .XXX = ±.005 [0.13]

CABLE LENGTH TOLERANCES:
 <12 [305] ≤ 60 [1524] = ±1 [25] / -0
 >60 [1524] ≤ 120 [3048] = ±4 [102] / -0
 >120 [3048] ≤ 300 [7620] = ±5% / -0

ALL DIMENSIONS ARE FOR REFERENCE ONLY. UNDIMENSIONED NON-CRITICAL FEATURES MAY VARY IN SIZE AND LOCATION. COLORS MAY VARY.

DESCRIPTION: **LOW PIM CONNECTOR, N F FOR SUPER FLEX .25", CLAMP**

| | | | | | | | |
|------|---|-----------|-------|----------|-----------|----------|---------|
| SIZE | A | CAGE CODE | 53919 | DRAWN BY | BPUCHASKI | ITEM NO. | PE45993 |
| REV | A | | | | | | |

THE INFORMATION CONTAINED IN THIS DRAWING IS THE SOLE PROPERTY OF INFINITE ELECTRONICS, INC. ANY REPRODUCTION IN PART OR WHOLE WITHOUT THE WRITTEN PERMISSION OF INFINITE ELECTRONICS, INC. IS PROHIBITED. THESE COMMODITIES, TECHNOLOGY OR SERVICES ARE BEING EXPORTED FROM THE UNITED STATES IN ACCORDANCE WITH THE EXPORT ADMINISTRATION REGULATIONS. DIVERSION CONTRARY TO U.S. LAW PROHIBITED.

PE DS Rev-04 Add2