



20KV Male Connector Crimp/Solder Attachment for RG214

RF Connectors Technical Data Sheet

PE45842

Configuration

- 20KV Male Connector
- MIL-STD-202
- Straight Body Geometry
- Connector Interface Types: RG214

Features

- Gold over nickel over copper Plated Beryllium Copper Contact
- High Density PE Insulator

Applications

- General Purpose Test
- Custom Cable Assemblies
- High Voltage Pulsed RF Transmission

Description

Pasternack's PE45842 20kV high voltage coaxial connector is part of our series of High Voltage coaxial interconnects. This high voltage connector minimizes the risk of electric shock due to its recessed contact design. Both cable connectors and bulkhead receptacles have recessed contacts to withstand unmated high voltage ratings. Additionally, the front mount receptacles in this family of connectors are hermetically sealed. Our 20 kV connectors operate up to maximum frequency of 300 MHz and offers good insulation resistance of 1000M Ω . These connectors allow designers to create external connections on product enclosures in a variety of high voltage transmission applications.

Our 20kV coaxial connector PE45842 has datasheet specifications and drawing with dimensions are shown below in this PDF. Pasternack's broad catalog of RF, microwave and millimeter wave connectors allows designers to configure and customize their signal connections however they like. Whether the need is to provide an I/O for a board design, or simply create a custom cable assembly configuration, Pasternack has the right connector for the job. Pasternack can also expertly build your custom cable assemblies for you and ship same-day.

Electrical Specifications

Description	Minimum	Typical	Maximum	Units
Operating Voltage (DC)			20,000	Vdc
Test Voltage (DC)			30,000	Vdc
Inner Conductor DC Resistance			3	mOhms
Outer Conductor DC Resistance			2	mOhms
Insulation Resistance	1,000			M Ω

Mechanical Specifications

Size

Length	3.9 in [99.06 mm]
Width/Dia.	0.75 in [19.05 mm]
Height	0.75 in [19.05 mm]
Weight	0.018 lbs [8.16 g]

Click the following link (or enter part number in "SEARCH" on website) to obtain additional part information including price, inventory and certifications: [20KV Male Connector Crimp/Solder Attachment for RG214 PE45842](#)



20KV Male Connector Crimp/Solder Attachment for RG214

RF Connectors
Technical Data Sheet

PE45842

Material Specifications

Description	Material	Plating
Contact	Beryllium Copper	Gold over nickel over copper
Contact Spring		Nickel over Copper
Insulation	PE (HD)	
Body	Brass	Nickel Over Copper
Coupling Nut	Brass	Nickel Over Copper
Gasket	Silicone	
Crimp Sleeve	Brass	Nickel over Copper
Washer	Brass	Nickel over Copper

Environmental Specifications

Temperature

Operating Range

-55 to +85 deg C

Salt Spray

MIL-STD-202, Method 101, Condiiton B

Compliance Certifications (see [product page](#) for current document)

Plotted and Other Data

Notes:

Click the following link (or enter part number in "SEARCH" on website) to obtain additional part information including price, inventory and certifications: [20KV Male Connector Crimp/Solder Attachment for RG214 PE45842](#)



20KV Male Connector Crimp/Solder Attachment for RG214

RF Connectors
Technical Data Sheet

PE45842

Assembly Instruction

A	B	C	D	E
BODY	INTERFACE GASKET	CONTACT PIN	GASKET	FERRULE
DIAGRAM		ASSEMBLY INSTRUCTION		
		<p>Step 1: STRIP AS SHOWN.</p>		
		<p>Step 2: SLIDE FERRULE " E " OVER CABLE. Step 3: PUT GASKET " D " AND PIN " C " ON CENTER CONDUCTOR AND SOLDER IN " Y ".</p> <p>※ GASKET MUST BE UNDER COMPRESSION AFTER SOLDERING IS COMPLETED.</p>		
		<p>Step 4: LOOSEN BRAIDING AND SLIDE CONNECTOR " A " IN PLACE.</p>		
		<p>Step 5: SLIDE FERRULE " E " TOWARDS THE CONNECTOR " A " AND CRIMP. (USE 10.7mm/0.421inch HEX SECTION OF INSERT-C) STEP 6: USE LOCATOR TOOL " ST-20KVM " TO INSTALL INTERFACE GASKET " B " OVER CONTACT PIN.</p>		

Click the following link (or enter part number in "SEARCH" on website) to obtain additional part information including price, inventory and certifications: [20KV Male Connector Crimp/Solder Attachment for RG214 PE45842](#)



20KV Male Connector Crimp/Solder Attachment for RG214

RF Connectors Technical Data Sheet

PE45842

20KV Male Connector Crimp/Solder Attachment for RG214 from Pasternack Enterprises has same day shipment for domestic and International orders. Our RF, microwave and millimeter wave products maintain a 99.4% availability and are part of the broadest selection in the industry.

Click the following link (or enter part number in "SEARCH" on website) to obtain additional part information including price, inventory and certifications: [20KV Male Connector Crimp/Solder Attachment for RG214 PE45842](https://www.pasternack.com/20KV-male-rg214-connector-pe45842-p.aspx)

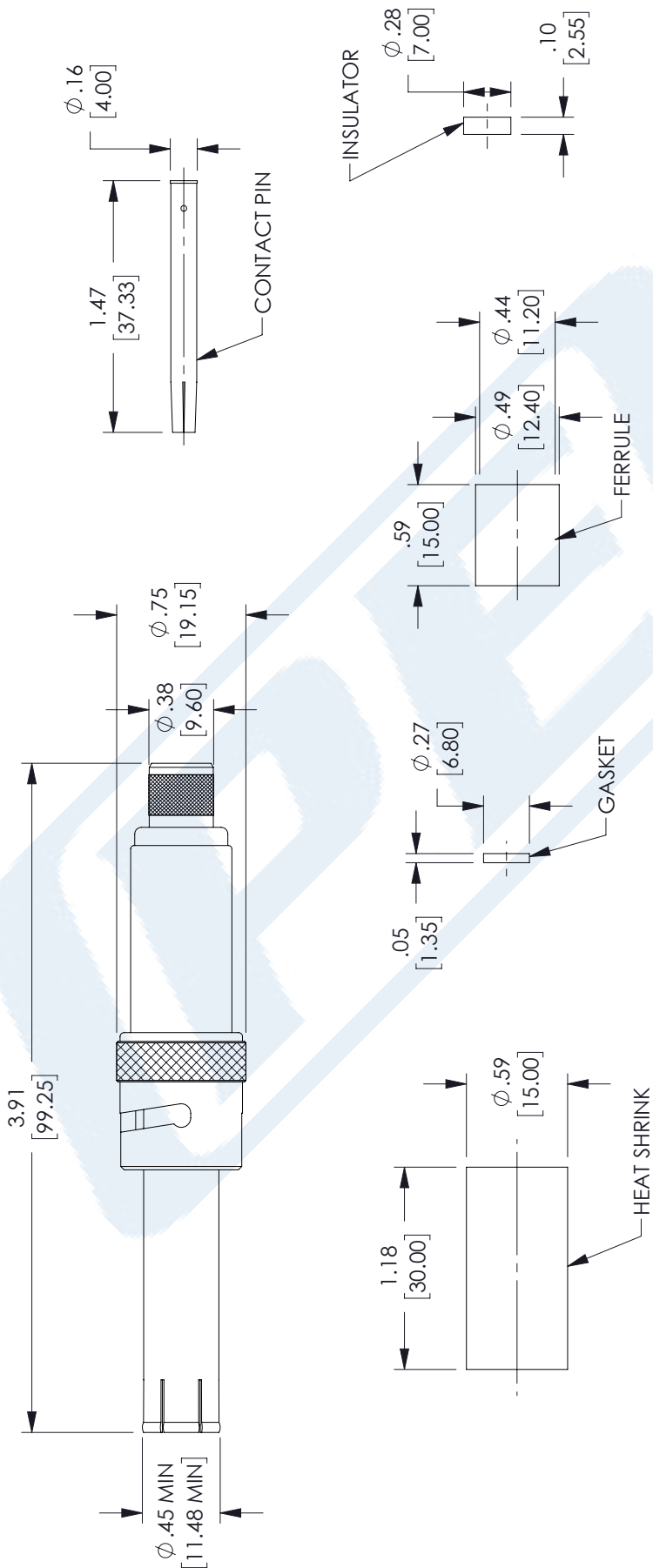
URL: <https://www.pasternack.com/20KV-male-rg214-connector-pe45842-p.aspx>

The information contained in this document is accurate to the best of our knowledge and representative of the part described herein. It may be necessary to make modifications to the part and/or the documentation of the part, in order to implement improvements. Pasternack reserves the right to make such changes as required. Unless otherwise stated, all specifications are nominal. Pasternack does not make any representation or warranty regarding the suitability of the part described herein for any particular purpose, and Pasternack does not assume any liability arising out of the use of any part or documentation.

PE45842 CAD Drawing

20KV Male Connector Crimp/Solder Attachment for RG214

REVISIONS		
REV.	DESCRIPTION	DATE
A	INITIAL RELEASE	9/21/2022
		APPROVED VJIWATODE



UNLESS OTHERWISE SPECIFIED LEADING DIMENSIONS ARE INCHES DIMENSIONS IN [] ARE MILLIMETERS

THIRD-ANGLE PROJECTION

THE INFORMATION AND DESIGN IN THIS DOCUMENT IS THE PROPERTY OF PASTERNAK CORPORATION ALL RIGHTS RESERVED.

PE PASTERNAK an INFINITE brand

Pasternack Enterprises, Inc.
P. O. Box 16759, Irvine, CA 92623.
Phone: 1.949.261.1920 | 1.866.727.8376
Fax: 1.949.261.7451
Website: www.pasternack.com
E-mail: sales@pasternack.com

SHEET 1 OF 1

SCALE N/A

REV A

ITEM NO. PE45842

SIZE A

CAGE CODE 53919

DRAWN BY DMAY

REV A

ITEM NO. PE45842

UNLESS OTHERWISE SPECIFIED LEADING DIMENSIONS ARE INCHES DIMENSIONS IN [] ARE MILLIMETERS

TOLERANCES:

.X = ±.2 [5.08] FRACTIONS ±.1/32
.XX = ±.02 [.51] ±.1/32
.XXX = ±.005 [.13] ANGLES ± 1°

CABLE LENGTH (L) TOLERANCES:
L ≤ 12 [305] = +1 [25] / -0
12 [305] < L ≤ 60 [1524] = +2 [51] / -0
60 [1524] < L ≤ 120 [3048] = +4 [102] / -0
120 [3048] < L ≤ 300 [7620] = +6 [152] / -0
300 [7620] < L = +5%L / -0

ALL DIMENSIONS SHOWN ARE FOR REFERENCE ONLY.