



BMA Plug Slide-On Field Replaceable Connector With EMI Gasket 2 Hole Flange Mount .012 inch Pin, .481 inch Hole Spacing, With EMI Gasket

RF Connectors Technical Data Sheet

PE45345

Configuration

- Slide-On BMA Plug Connector
- 50 Ohms
- Straight Body Geometry
- .012 inch Pin Interface Type
- Field Replaceable Attachment
- 2 Hole Flange

Features

- Max. Operating Frequency 22 GHz
- Good VSWR of 1.28:1
- Gold Plated Beryllium Copper Contact
- 51.18μ in. minimum contact plating
- Blind Mate Connector
- Low-Engagement Force

Applications

- General Purpose Test
- Rack and Panel Mount Applications
- Blind Mating
- Rack and Panel
- Phased Array Systems
- Base Stations
- RF Backplanes
- Test I/O

Description

Pasternack's PE45345 BMA plug slide-on 2 hole flange mount field replaceable connector with EMI gasket (.481 inch hole spacing) is part of our full line of RF components available for same-day shipping. Our BMA plug connector operates up to a maximum frequency of 22 GHz and offers good VSWR of 1.28:1. The Pasternack blind mate connector is ideal for applications where direct visual or tactile access to the connection point is not possible, for example, when two circuit boards need to be mated. This BMA 2 hole flange connector allows designers to create external connections on their product enclosures, and can be used in a variety of other rack mount and panel mount applications. This field replaceable connector is easy to install or replace in the field.

Our BMA plug 2 hole flange connector PE45345 datasheet specifications and drawing with dimensions are shown below in this PDF. Pasternack's broad catalog of RF, microwave and millimeter wave connectors allows designers to configure and customize their signal connections however they like. Whether the need is to provide an I/O for a board design, or simply create a custom cable assembly configuration, Pasternack has the right connector for the job. Pasternack can also expertly build your custom cable assemblies for you and ship same-day.

Electrical Specifications

Description	Minimum	Typical	Maximum	Units
Frequency Range	DC		22	GHz
VSWR			1.28:1	
Insertion Loss			0.14	dB
Operating Voltage (AC)			350	Vrms
Dielectric Withstanding Voltage (AC)			1,000	Vrms
Insulation Resistance	5,000			MOhms

Click the following link (or enter part number in "SEARCH" on website) to obtain additional part information including price, inventory and certifications: [BMA Plug Slide-On Field Replaceable Connector With EMI Gasket 2 Hole Flange Mount .012 inch Pin, .481 inch Hole Spacing, With EMI Gasket PE45345](#)



BMA Plug Slide-On Field Replaceable Connector
With EMI Gasket 2 Hole Flange Mount .012 inch
Pin, .481 inch Hole Spacing, With EMI Gasket

RF Connectors Technical Data Sheet

PE45345

Mechanical Specifications

Size

Length	0.378 in [9.6 mm]
Width/Dia.	0.63 in [16.00 mm]
Height	0.26 in [6.6 mm]
Weight	0.009 lbs [4.08 g]
Mating Cycles	1,000 Cycles

Material Specifications

Description	Material	Plating
Contact	Beryllium Copper	Gold 51.18µ in. minimum
Insulation	PTFE	
Outer Conductor	Passivated Stainless Steel	
Body	Passivated Stainless Steel	

Environmental Specifications

Temperature

Operating Range	-65 to +105 deg C
-----------------	-------------------

Click the following link (or enter part number in "SEARCH" on website) to obtain additional part information including price, inventory and certifications: [BMA Plug Slide-On Field Replaceable Connector With EMI Gasket 2 Hole Flange Mount .012 inch Pin, .481 inch Hole Spacing, With EMI Gasket PE45345](#)



**BMA Plug Slide-On Field Replaceable Connector
With EMI Gasket 2 Hole Flange Mount .012 inch
Pin, .481 inch Hole Spacing, With EMI Gasket**

RF Connectors Technical Data Sheet

PE45345

Compliance Certifications (see [product page](#) for current document)

Plotted and Other Data

Notes:

BMA Plug Slide-On Field Replaceable Connector With EMI Gasket 2 Hole Flange Mount .012 inch Pin, .481 inch Hole Spacing, With EMI Gasket from Pasternack Enterprises has same day shipment for domestic and International orders. Our RF, microwave and millimeter wave products maintain a 99.4% availability and are part of the broadest selection in the industry.

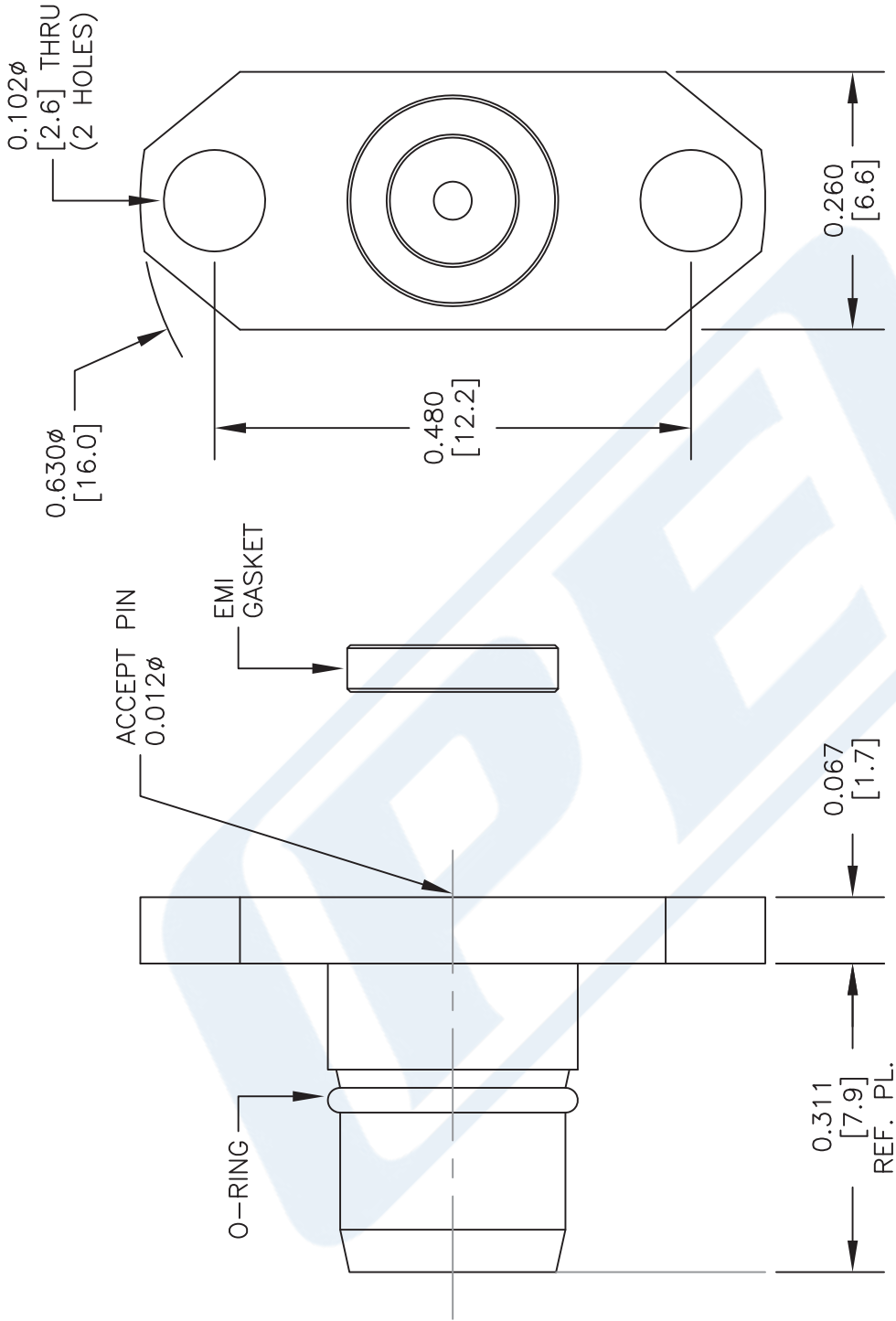
Click the following link (or enter part number in "SEARCH" on website) to obtain additional part information including price, inventory and certifications: [BMA Plug Slide-On Field Replaceable Connector With EMI Gasket 2 Hole Flange Mount .012 inch Pin, .481 inch Hole Spacing, With EMI Gasket PE45345](#)

URL: <https://www.pasternack.com/bma-plug-slide-on-.012-pin-connector-pe45345-p.aspx>

The information contained in this document is accurate to the best of our knowledge and representative of the part described herein. It may be necessary to make modifications to the part and/or the documentation of the part, in order to implement improvements. Pasternack reserves the right to make such changes as required. Unless otherwise stated, all specifications are nominal. Pasternack does not make any representation or warranty regarding the suitability of the part described herein for any particular purpose, and Pasternack does not assume any liability arising out of the use of any part or documentation.

PE45345 CAD Drawing

BMA Plug Slide-On Field Replaceable Connector With EMI Gasket 2 Hole
Flange Mount .012 inch Pin, .481 inch Hole Spacing, With EMI Gasket



STANDARD TOLERANCES

.X ±0.2
.XX ±0.1
.XXX ±0.05

*STANDARD TOLERANCES APPLY ONLY TO DIMENSIONS IN INCHES



PASTERNAK
THE ENGINEER'S RF SOURCE
Pasternack Enterprises, Inc.
P.O. Box 16759 | Irvine | CA | 92623
Phone: (949) 261-1920 | Fax: (949) 261-7451
Website: www.pasternack.com | E-Mail: sales@pasternack.com

DWG TITLE

PE45345

NOTES:
1. UNLESS OTHERWISE SPECIFIED ALL DIMENSIONS ARE NOMINAL.
2. ALL SPECIFICATIONS ARE SUBJECT TO CHANGE WITHOUT NOTICE AT ANY TIME.
3. DIMENSIONS ARE IN INCHES [mm].

CAGE CODE 53919

CAD FILE 021017

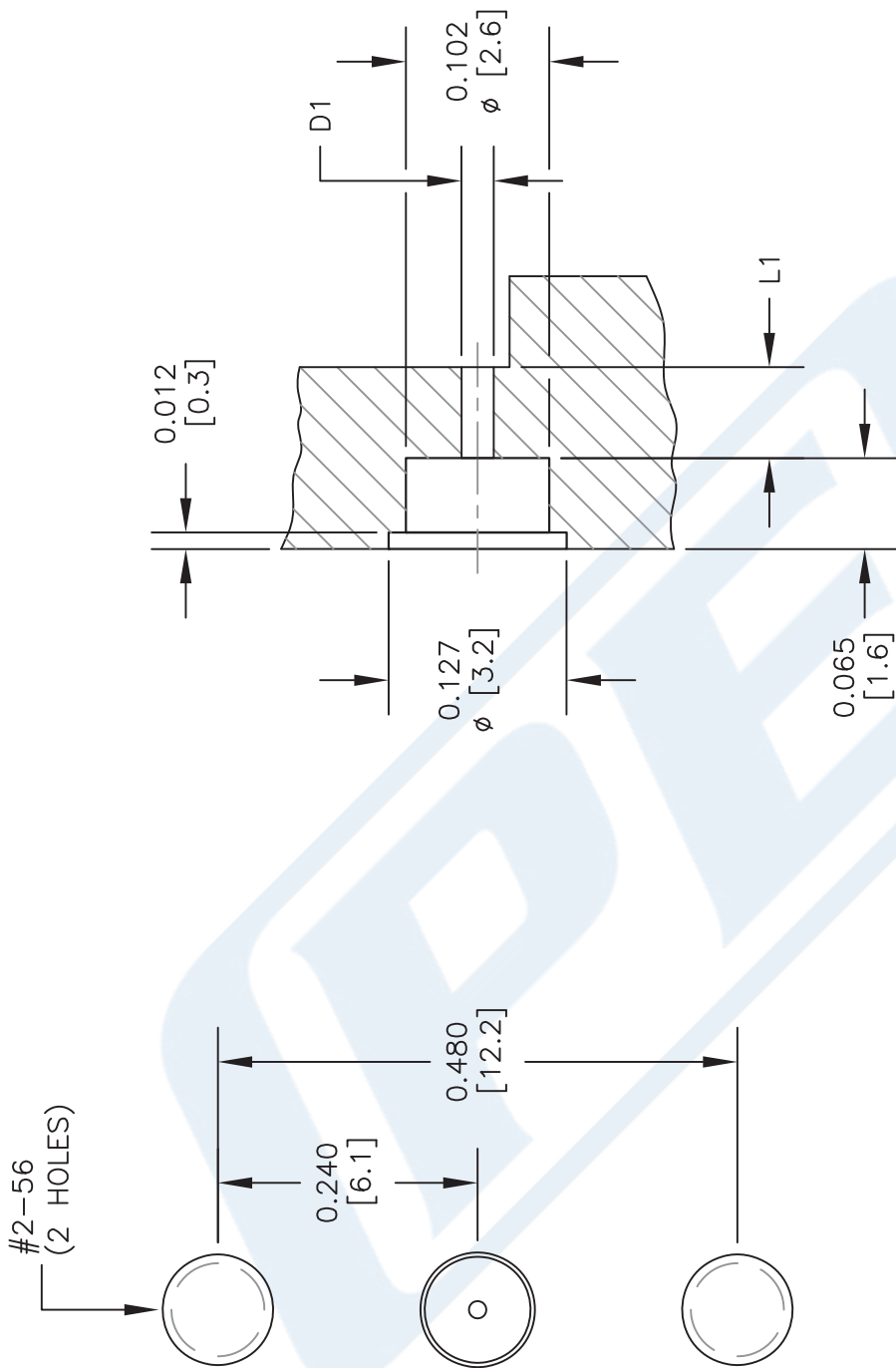
SCALE N/A

SIZE A

2233

PE45345 CAD Drawing

BMA Plug Slide-On Field Replaceable Connector With EMI Gasket 2 Hole
Flange Mount .012 inch Pin, .481 inch Hole Spacing, With EMI Gasket



EXAMPLE MOUNTING HOLE DETAIL

1. D1 and L1 dimensions will vary according to each application.

STANDARD TOLERANCES

.X ±0.2
.XX ±0.1
.XXX ±0.05

*STANDARD TOLERANCES APPLY ONLY TO DIMENSIONS IN INCHES

DWG TITLE

PE45345

NOTES:
1. UNLESS OTHERWISE SPECIFIED ALL DIMENSIONS ARE NOMINAL.
2. ALL SPECIFICATIONS ARE SUBJECT TO CHANGE WITHOUT NOTICE AT ANY TIME.
3. DIMENSIONS ARE IN INCHES [mm].

CAGE CODE 53919

CAD FILE 021017

SCALE N/A

SIZE A

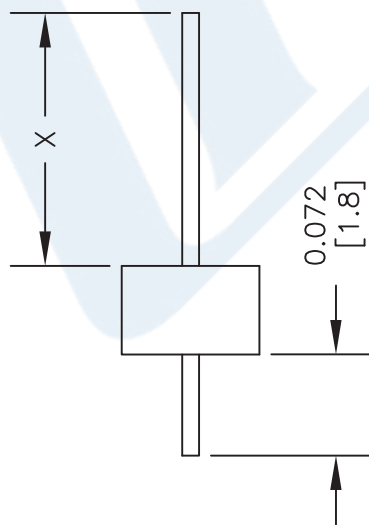
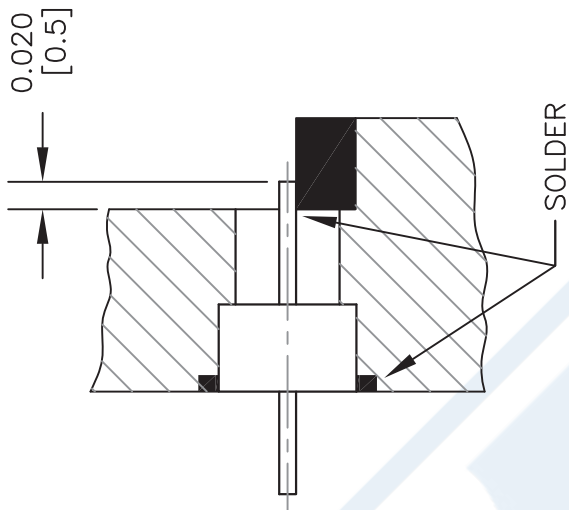
2233



PASTERNAK
THE ENGINEER'S RF SOURCE
Pasternack Enterprises, Inc.
P.O. Box 16759 | Irvine | CA | 92623
Phone: (949) 261-1920 | Fax: (949) 261-7451
Website: www.pasternack.com | E-Mail: sales@pasternack.com

PE45345 CAD Drawing

BMA Plug Slide-On Field Replaceable Connector With EMI Gasket 2 Hole
Flange Mount .012 inch Pin, .481 inch Hole Spacing, With EMI Gasket



GLASS BEAD (PE1001-1)

GLASS BEAD

1. Adjust X by cutting the pin if necessary.
2. Introduce the glass bead into its housing.
3. Solder the pin onto the substrate and the bead into the housing.
Beware of putting too much solder.

STANDARD TOLERANCES

.X ±0.2
.XX ±0.1
.XXX ±0.05

*STANDARD TOLERANCES APPLY
ONLY TO DIMENSIONS IN INCHES



Pasternack Enterprises, Inc.
P.O. Box 16759 | Irvine | CA | 92623
Phone: (949) 261-1920 | Fax: (949) 261-7451
Website: www.pasternack.com | E-Mail: sales@pasternack.com

DWG TITLE

PE45345

CAGE CODE 53919

CAD FILE 021017

SCALE N/A

SIZE A

2233

NOTES:
1. UNLESS OTHERWISE SPECIFIED ALL DIMENSIONS ARE NOMINAL.
2. ALL SPECIFICATIONS ARE SUBJECT TO CHANGE WITHOUT NOTICE AT ANY TIME.
3. DIMENSIONS ARE IN INCHES [mm].