



# N Female Connector Clamp/Non-Solder Contact Attachment for 7/8 inch Helical

## RF Connectors Technical Data Sheet

PE45203

### Configuration

- N Female Connector
- 50 Ohms
- Straight Body Geometry
- 7/8 inch Helical Interface Type
- Clamp/Non-Solder Contact Attachment

### Electrical Specifications

Description	Minimum	Typical	Maximum	Units
Frequency Range	DC		3	GHz
VSWR			1.1:1	
Insertion Loss			0.05	dB
Passive Intermodulation			-160	dBc
Operating Voltage (AC)			2,500	Vrms

### Mechanical Specifications

#### Size

Length 2.51 in [63.75 mm]  
 Width/Dia. 1.4 in [35.56 mm]

### Material Specifications

Description	Material	Plating
Contact	Copper	Silver
Insulation	TPX	
Outer Conductor	Brass	Tri-Metal
Body	Brass	Tri-Metal

### Environmental Specifications

#### Temperature

Operating Range -40 to 85 deg C  
 Humidity IP 68

### Compliance Certifications (visit [www.Pasternack.com](http://www.Pasternack.com) for current document)

RoHS Compliant

Click the following link (or enter part number in "SEARCH" on website) to obtain additional part information including price, inventory and certifications: [N Female Connector Clamp/Non-Solder Contact Attachment for 7/8 inch Helical PE45203](#)



## N Female Connector Clamp/Non-Solder Contact Attachment for 7/8 inch Helical

### RF Connectors Technical Data Sheet

PE45203

#### Plotted and Other Data

Notes:

N Female Connector Clamp/Non-Solder Contact Attachment for 7/8 inch Helical from Pasternack Enterprises has same day shipment for domestic and International orders. Our RF, microwave and millimeter wave products maintain a 99% availability and are part of the broadest selection in the industry.

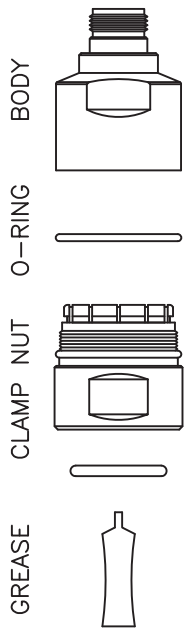
Click the following link (or enter part number in "SEARCH" on website) to obtain additional part information including price, inventory and certifications: [N Female Connector Clamp/Non-Solder Contact Attachment for 7/8 inch Helical PE45203](http://www.pasternack.com/n-female-7-8-inch-helical-connector-pe45203-p.aspx)

URL: <http://www.pasternack.com/n-female-7-8-inch-helical-connector-pe45203-p.aspx>

The information contained in this document is accurate to the best of our knowledge and representative of the part described herein. It may be necessary to make modifications to the part and/or the documentation of the part, in order to implement improvements. Pasternack reserves the right to make such changes as required. Unless otherwise stated, all specifications are nominal. Pasternack does not make any representation or warranty regarding the suitability of the part described herein for any particular purpose, and Pasternack does not assume any liability arising out of the use of any part or documentation.

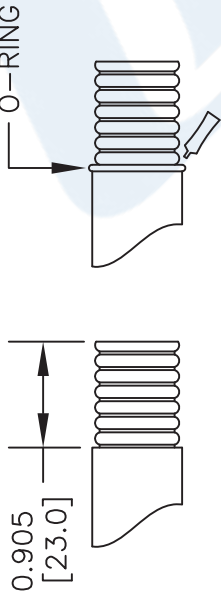
# PE45203 CAD Drawing

N Female Connector Clamp/Non-Solder Contact Attachment for 7/8 inch Helical

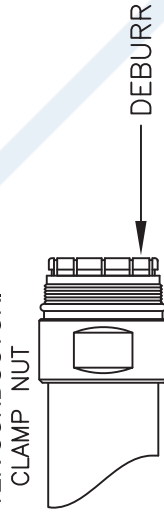


### ASSEMBLY PROCEDURES

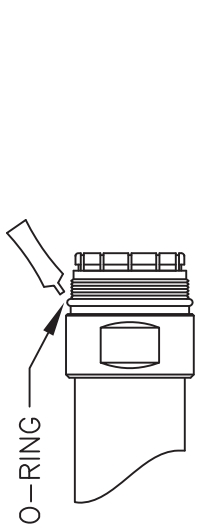
1. STRIP CABLE AS SHOWN. SLIDE LARGE O-RING ONTO CABLE AND SEAT AGAINST THE JACKET. GREASE O-RING.



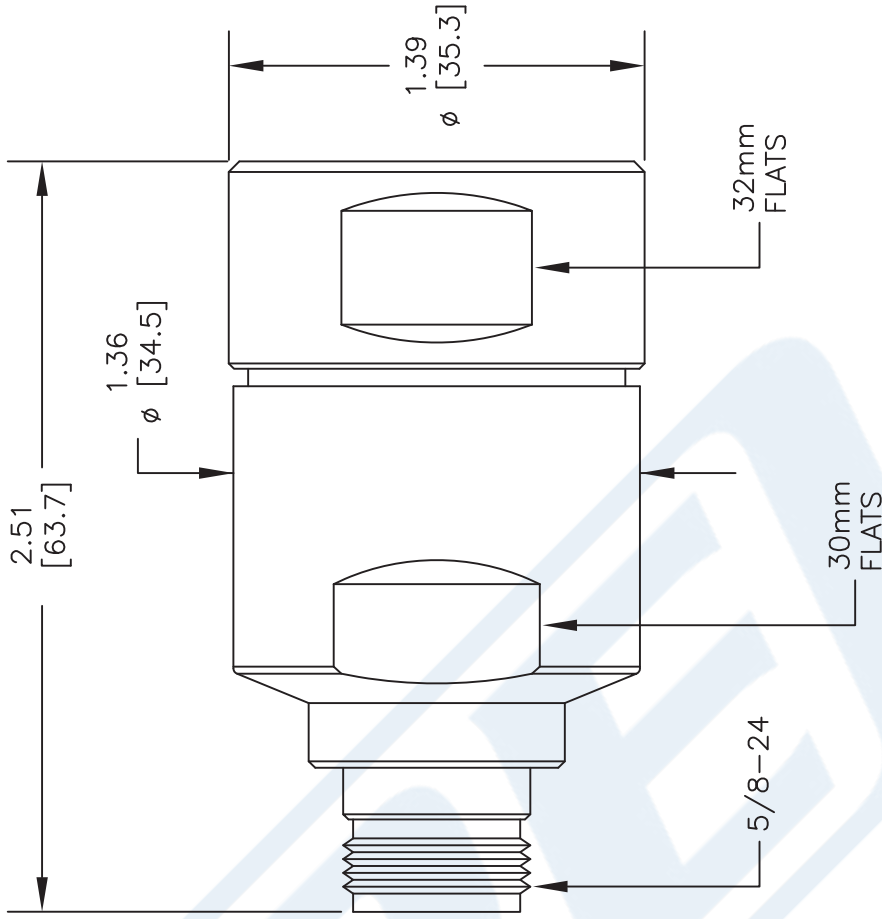
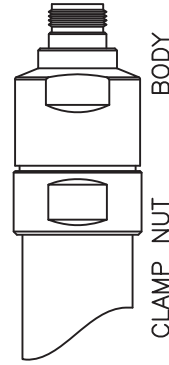
2. INSTALL CLAMP NUT ONTO CABLE. FLAIR OUT INNER & OUTER CONDUCTOR. DEBURR INNER & OUTER CONDUCTOR.



3. SLIDE O-RING OVER THREAD AND SEAT INTO PLACE. GREASE O-RING.



4. HOLD CLAMP NUT STEADY & SCREW BODY TIGHTLY ONTO CABLE. CENTER CONDUCTOR WILL PROPERLY SEAT INSIDE THE CABLE CENTER CONDUCTOR.



DWG TITLE

**PE45203**

- NOTES:
1. UNLESS OTHERWISE SPECIFIED ALL DIMENSIONS ARE NOMINAL.
  2. ALL SPECIFICATIONS ARE SUBJECT TO CHANGE WITHOUT NOTICE AT ANY TIME.
  3. DIMENSIONS ARE IN INCHES [mm].
  4. FITS MIL-C-17 AND EQUIVALENT CABLES.

**PE PASTERNAK**  
THE ENGINEER'S RF SOURCE  
Pasternack Enterprises, Inc.  
P.O. Box 16759 | Irvine | CA | 92623  
Phone: (949) 261-1920 | Fax: (949) 261-7451  
Website: www.pasternack.com | E-Mail: sales@pasternack.com

FSCM NO. 53919

CAD FILE 072415

SCALE N/A

SIZE A

2233