



SMC Jack Bulkhead Connector Solder Attachment 0.062 inch End Launch PCB

RF Connectors
Technical Data Sheet

PE44848

Configuration

- SMC Jack Connector
- 50 Ohms
- Straight Body Geometry
- Connector Interface Types: .062 inch End Launch
- Bulkhead

Features

- Max. Operating Frequency 10 GHz
- Gold Plated Brass Contact

Applications

- General Purpose Test
- Rack and Panel Mount Applications
- PCB Applications

Description

Pasternack's PE44848 SMC jack bulkhead connector with solder attachment for .062 inch End Launch PCB is part of our full line of RF components available for same-day shipping. Our SMC jack connector operates up to a maximum frequency of 10 GHz. This SMC bulkhead connector allows designers to create external connections on their product enclosures, and can be used in a variety of other rack mount and panel mount applications.

Our SMC jack bulkhead connector PE44848 datasheet specifications and drawing with dimensions are shown below in this PDF. Pasternack's broad catalog of RF, microwave and millimeter wave connectors allows designers to configure and customize their signal connections however they like. Whether the need is to provide an I/O for a board design, or simply create a custom cable assembly configuration, Pasternack has the right connector for the job. Pasternack can also expertly build your custom cable assemblies for you and ship same-day.

Electrical Specifications

Description	Minimum	Typical	Maximum	Units
Frequency Range	DC		10	GHz

Mechanical Specifications

Size	
Length	0.687 in [17.45 mm]
Width/Dia.	0.3 in [7.62 mm]
Weight	0.005 lbs [2.27 g]

Click the following link (or enter part number in "SEARCH" on website) to obtain additional part information including price, inventory and certifications: [SMC Jack Bulkhead Connector Solder Attachment 0.062 inch End Launch PCB PE44848](#)



SMC Jack Bulkhead Connector Solder Attachment 0.062 inch End Launch PCB

RF Connectors
Technical Data Sheet

PE44848

Material Specifications

Description	Material	Plating
Contact	Brass	Gold
Insulation	PTFE	
Outer Conductor	Brass	Gold
Body	Brass	Gold

Environmental Specifications

Compliance Certifications (see [product page](#) for current document)

Plotted and Other Data

Notes:

SMC Jack Bulkhead Connector Solder Attachment 0.062 inch End Launch PCB from Pasternack Enterprises has same day shipment for domestic and International orders. Our RF, microwave and millimeter wave products maintain a 99.4% availability and are part of the broadest selection in the industry.

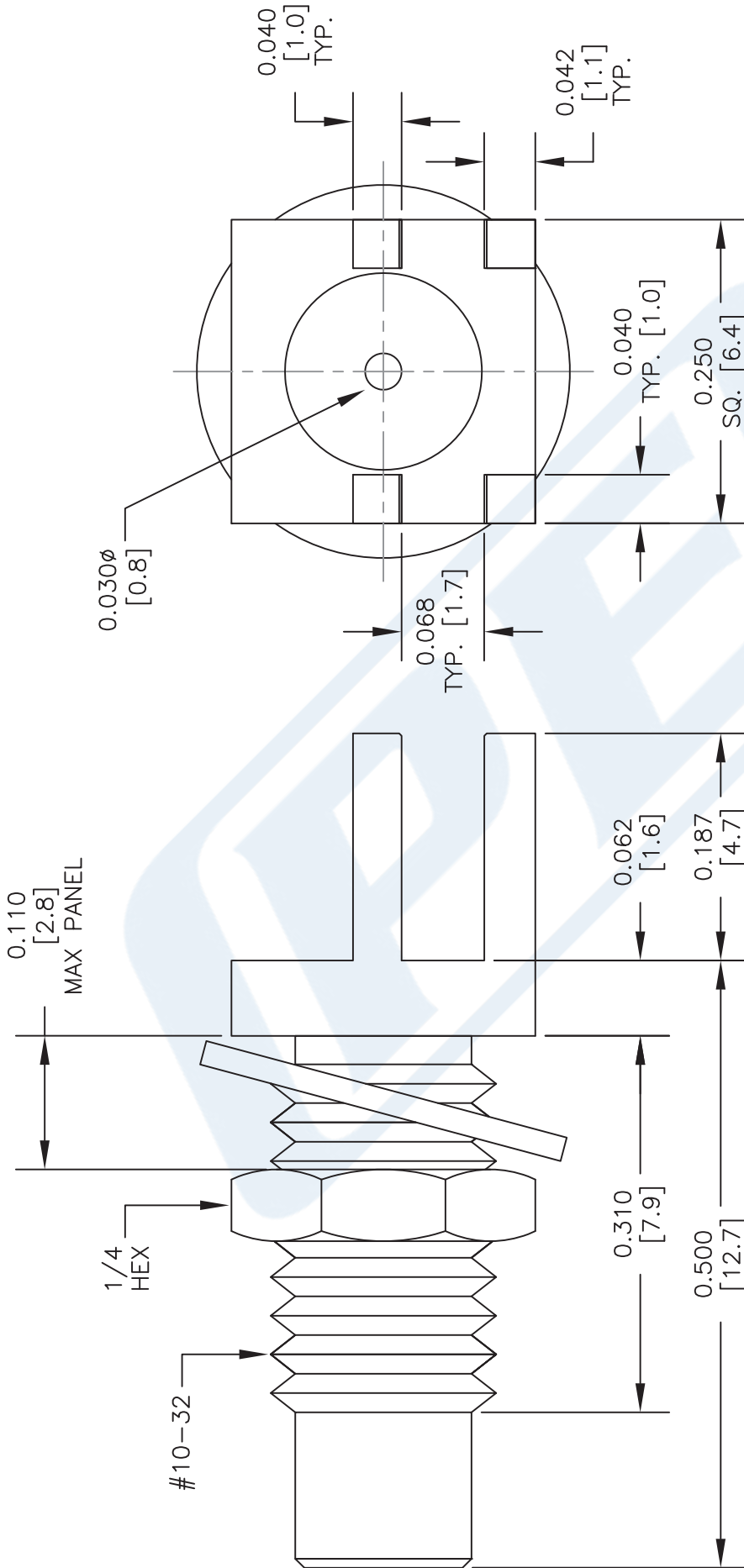
Click the following link (or enter part number in "SEARCH" on website) to obtain additional part information including price, inventory and certifications: [SMC Jack Bulkhead Connector Solder Attachment 0.062 inch End Launch PCB PE44848](#)

URL: <https://www.pasternack.com/smc-jack-standard-0.062-end-launch-pcb-connector-pe44848-p.aspx>

The information contained in this document is accurate to the best of our knowledge and representative of the part described herein. It may be necessary to make modifications to the part and/or the documentation of the part, in order to implement improvements. Pasternack reserves the right to make such changes as required. Unless otherwise stated, all specifications are nominal. Pasternack does not make any representation or warranty regarding the suitability of the part described herein for any particular purpose, and Pasternack does not assume any liability arising out of the use of any part or documentation.

PE44848 CAD Drawing

SMC Jack Bulkhead Connector Solder Attachment 0.062 inch End Launch PCB



DWG TITLE

PE44848

FSCM NO. 53919

NOTES:
 1. UNLESS OTHERWISE SPECIFIED ALL DIMENSIONS ARE NOMINAL.
 2. ALL SPECIFICATIONS ARE SUBJECT TO CHANGE WITHOUT NOTICE AT ANY TIME.
 3. DIMENSIONS ARE IN INCHES [mm].
 4. FITS MIL-C-17 AND EQUIVALENT CABLES.

CAD FILE 072413

SCALE N/A

SIZE A

2233



PASTERNAK®
 Pasternack Enterprises, Inc.
 P.O. Box 16759 | Irvine | CA | 92623
Phone: (949) 261-1920 | **Fax:** (949) 261-7451
Website: www.pasternack.com | **E-Mail:** sales@pasternack.com