



75 Ohm F Male Right Angle Connector Twist Attachment for RG59, RG62, RG71

RF Connectors Technical Data Sheet

PE44323

**Configuration**

- F Male Connector
- 75 Ohms
- Right Angle Body Geometry
- RG59, RG62, RG71 Interface Type
- Twist Attachment
- 7/16 inch Hex

**Features**

- Tin-Lead Plated Contact

**Applications**

- General Purpose Test
- Custom Cable Assemblies
- CATV

**Description**

Pasternack's PE44323 75 ohm type F male right angle connector with twist attachment for RG59, RG62 and RG71 is part of our full line of RF components available for same-day shipping. Its right angle body geometry allows for easier connections in tight spaces.

Our 75 ohm type F male right angle connector PE44323 datasheet specifications and drawing with dimensions are shown below in this PDF. Pasternack's broad catalog of RF, microwave and millimeter wave connectors allows designers to configure and customize their signal connections however they like. Whether the need is to provide an I/O for a board design, or simply create a custom cable assembly configuration, Pasternack has the right connector for the job. Pasternack can also expertly build your custom cable assemblies for you and ship same-day.

**Mechanical Specifications**

**Size**

Length	1.42 in [36.07 mm]
Width/Dia.	0.438 in [11.13 mm]
Height	1.06 in [26.92 mm]
Weight	0.048 lbs [21.77 g]
Mating Torque	12 to 15 in-lbs [1.36 to 1.70 Nm]

**Material Specifications**

Description	Material	Plating
Contact		Tin-Lead
Insulation	POM	
Body	Brass	Nickel
Coupling Nut	Brass	Nickel

Click the following link (or enter part number in "SEARCH" on website) to obtain additional part information including price, inventory and certifications: [75 Ohm F Male Right Angle Connector Twist Attachment for RG59, RG62, RG71 PE44323](#)



## 75 Ohm F Male Right Angle Connector Twist Attachment for RG59, RG62, RG71

### RF Connectors Technical Data Sheet

PE44323

**Compliance Certifications** (see [product page](#) for current document)

#### Plotted and Other Data

Notes:

75 Ohm F Male Right Angle Connector Twist Attachment for RG59, RG62, RG71 from Pasternack Enterprises has same day shipment for domestic and International orders. Our RF, microwave and millimeter wave products maintain a 99% availability and are part of the broadest selection in the industry.

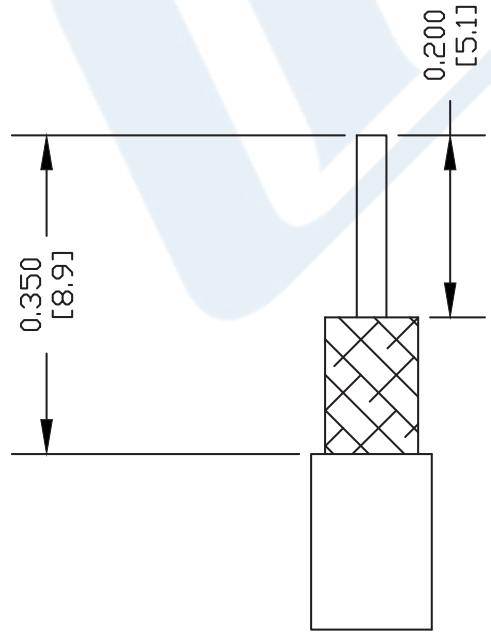
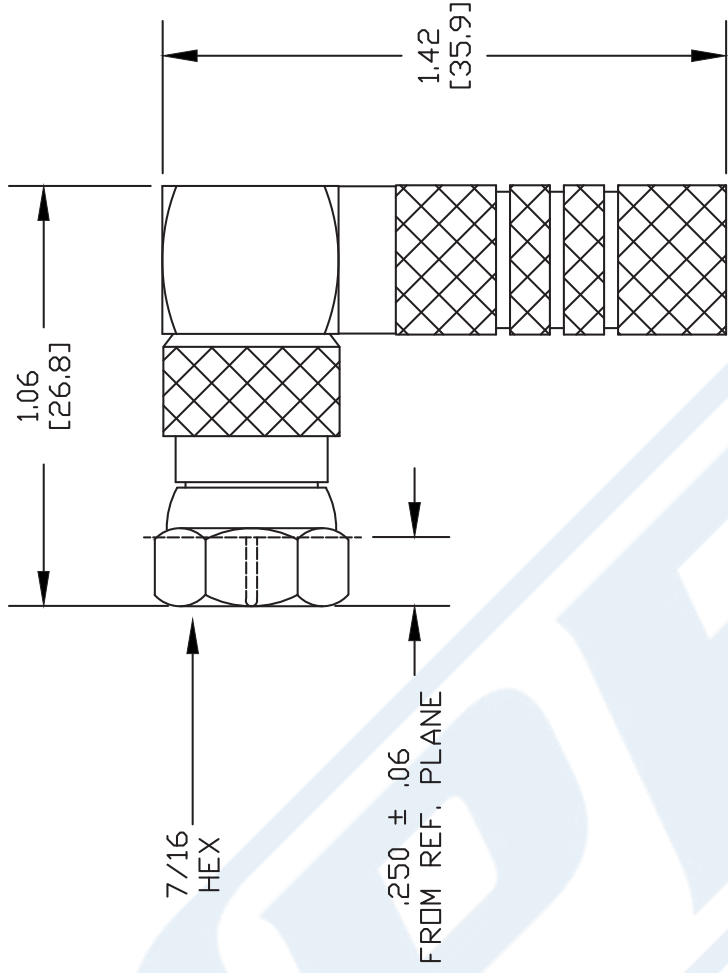
Click the following link (or enter part number in "SEARCH" on website) to obtain additional part information including price, inventory and certifications: [75 Ohm F Male Right Angle Connector Twist Attachment for RG59, RG62, RG71 PE44323](#)

URL: <https://www.pasternack.com/f-male-standard-rg59-rg62-connector-pe44323-p.aspx>

The information contained in this document is accurate to the best of our knowledge and representative of the part described herein. It may be necessary to make modifications to the part and/or the documentation of the part, in order to implement improvements. Pasternack reserves the right to make such changes as required. Unless otherwise stated, all specifications are nominal. Pasternack does not make any representation or warranty regarding the suitability of the part described herein for any particular purpose, and Pasternack does not assume any liability arising out of the use of any part or documentation.

# PE44323 CAD Drawing

75 Ohm F Male Right Angle Connector Twist Attachment for RG59, RG62, RG71



### STRIPPING DIMENSIONS

### ASSEMBLY PROCEDURES

1. STRIP CABLE AS SHOWN.
2. TWIST CONNECTOR OVER CABLE UNTIL IT STOPS.

NOTES:  
 1. UNLESS OTHERWISE SPECIFIED ALL DIMENSIONS ARE NOMINAL.  
 2. ALL SPECIFICATIONS ARE SUBJECT TO CHANGE WITHOUT NOTICE AT ANY TIME.  
 3. DIMENSIONS ARE IN INCHES [mm].  
 4. FITS MIL-C-17 AND EQUIVALENT CABLES.

DWG TITLE  
**PE44323**

FSCM NO. 53919

**PE PASTERNAK®**  
 Pasternack Enterprises, Inc.  
 P.O. Box 16759 | Irvine | CA | 92623  
 Phone: (949) 261-1920 | Fax: (949) 261-7451  
 Website: www.pasternack.com | E-Mail: sales@pasternack.com

CAD FILE 040811 SCALE N/A SIZE A 127