

SMA Female Bulkhead Hermetically Sealed Connector Stub Terminal Solder Attachment

SMA female bulkhead hermetically sealed connector with solder attachment stub terminal, part number SC7591A, from Fairview Microwave is in-stock and ships same day. This SMA female connector operates up to a maximum frequency of 18 GHz and offers excellent VSWR of 1.25:1. Fairview's SC7591A bulkhead SMA connector enables designers to make external connections on product enclosures, and can be used in a variety of other rack mount and panel mount applications.

Fairview's SMA female bulkhead connector SC7591A datasheet specifications and outline drawing are shown in this PDF below. Our extensive offering of RF, microwave and millimeter wave connectors allows designers to configure and customize their signal connections however they like. From providing an I/O for a board design to creating a custom cable assembly configuration, Fairview Microwave has a connector solution to meet your needs. Fairview Microwave also has the expertise to build your custom cable assemblies for you and ship them same-day.

Electrical Specifications

Description	Min	Typ	Max	Units
Frequency Range	DC		18	GHz
VSWR			1.25:1	

Mechanical Specifications

Size	
Length	0.687 in [17.45 mm]
Width/Dia.	0.438 in [11.13 mm]
Weight	0.012 lbs [5.44 g]

Material Specifications

Description	Material	Plating
Contact	Beryllium Copper	Gold MIL-G-45204
Insulation	PTFE	
Outer Conductor	Stainless Steel	Gold MIL-G-45204
Gasket	Silicone	

Environmental Specifications

Hermetic Seal	Leak rate not to exceed 1 x 10 ⁻⁷ cc/sec of helium at 1 atm differential.
---------------	--

Compliance Certifications (see [product page](#) for current document)

Plotted and Other Data

Notes:



Configuration:

- SMA Female Connector
- 50 Ohms
- Straight Body Geometry
- Stub Interface Type
- Solder Attachment
- Bulkhead
- 7/16 inch Hex

Features:

- Operating Frequency of 18 GHz Max.
- Excellent VSWR of 1.25:1
- Hermetically Sealed
- Gold Plated Beryllium Copper Contact
- Contact plating according to MIL-G-45204

Applications:

- General Purpose Test
- Rack and Panel Mount Applications

Fairview Microwave
301 Leora Ln., Suite 100
Lewisville, TX 75056
Tel: 1-800-715-4396 / (972) 649-6678
Fax: (972) 649-6689
www.fairviewmicrowave.com
sales@fairviewmicrowave.com

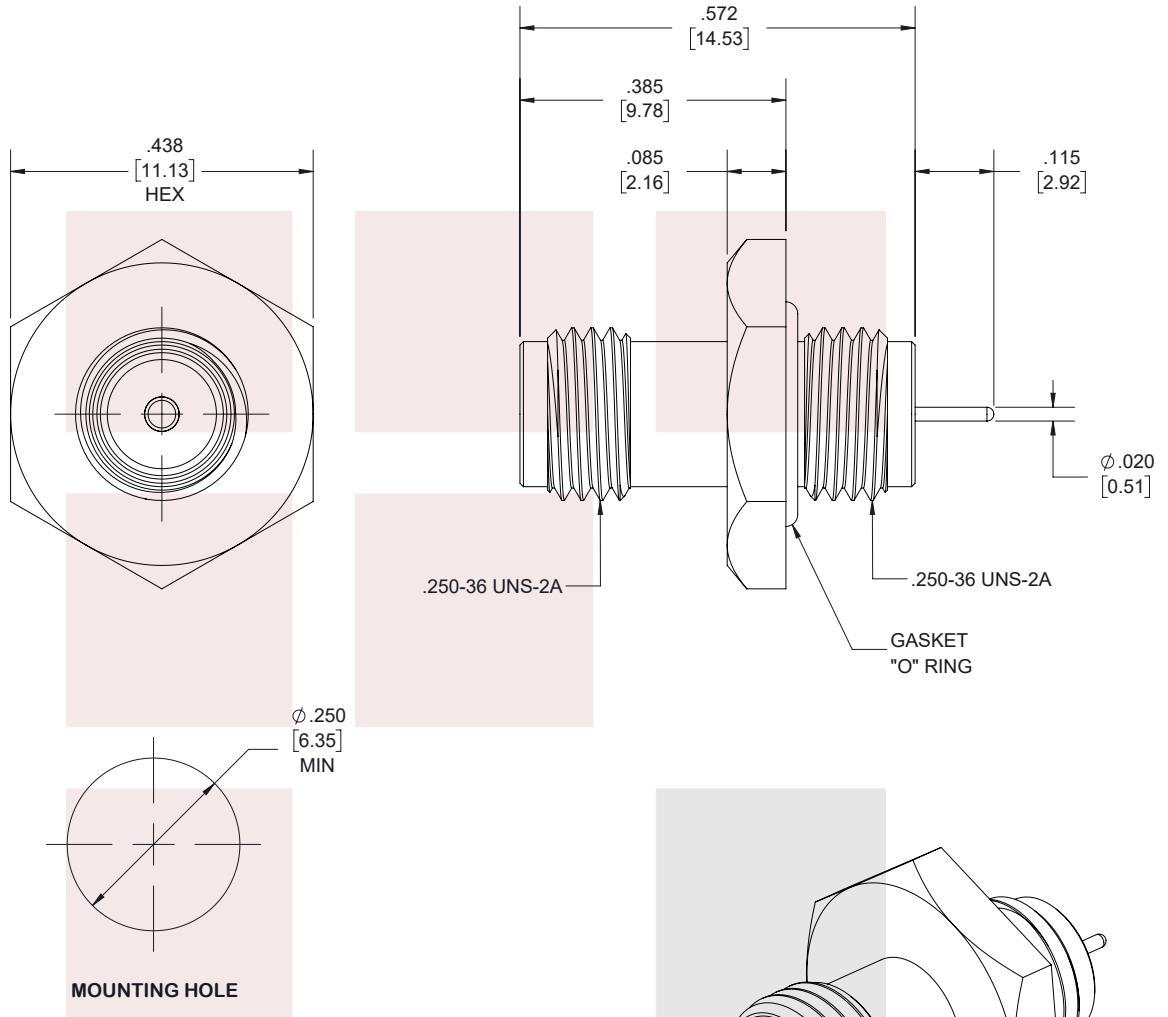
SMA Female Bulkhead Hermetically Sealed Connector Stub Terminal Solder Attachment from Fairview Microwave is in-stock and available to ship same-day. All of our RF/microwave products are available off-the-shelf from our ISO 9001:2008 certified facilities in Lewisville, Texas. Fairview Microwave is RF on-demand.

For additional information on this product, please click the following link: [SMA Female Bulkhead Hermetically Sealed Connector Stub Terminal Solder Attachment SC7591A](#)

URL: <https://www.fairviewmicrowave.com/sma-female-stub-terminal-connector-sc7591a-p.aspx>

The information contained in this document is accurate to the best of our knowledge and representative of the part described herein. It may be necessary to make modifications to the part and/or the documentation of the part, in order to implement improvements. Fairview Microwave reserves the right to make such changes as required. Unless otherwise stated, all specifications are nominal. Fairview Microwave does not make any representation or warranty regarding the suitability of the part described herein for any particular purpose, and Fairview Microwave does not assume any liability arising out of the use of any part or documentation.





STANDARD TOLERANCES	
.X	±0.2
.XX	±0.01
.XXX	±0.005

*STANDARD TOLERANCES APPLY ONLY TO DIMENSIONS IN INCHES

FAIRVIEW MICROWAVE INC. WWW.FAIRVIEWMICROWAVE.COM		NOTES: 1. UNLESS OTHERWISE SPECIFIED ALL DIMENSIONS ARE NOMINAL. 2. ALL SPECIFICATIONS ARE SUBJECT TO CHANGE WITHOUT NOTICE AT ANY TIME. 3. DIMENSIONS ARE IN INCHES [mm].						
TITLE SMA Female Bulkhead Hermetically Sealed Connector Stub Terminal Solder Attachment		DWG NO SC7591A			CAGE CODE 3FKR5			
CAD FILE	120517	SHEET	1 OF 1	SCALE	N/A	SIZE	A	7361