

## RF PCB Connector, SMP Male Full Detent Connector Solder Attachment Edge Launch PCB

SMP male full detent connector with solder attachment for edge launch PCB, part number FMCN44263, from Fairview Microwave is in-stock and ships same day. This SMP male connector operates up to a maximum frequency of 40 GHz. This blind mate connector is ideal for applications without direct visual or tactile access to the connection point, for example, when two circuit boards need to be mated.

Fairview's SMP male connector FMCN44263 datasheet specifications and outline drawing are shown in this PDF below. Our extensive offering of RF, microwave and millimeter wave connectors allows designers to configure and customize their signal connections however they like. From providing an I/O for a board design to creating a custom cable assembly configuration, Fairview Microwave has a connector solution to meet your needs. Fairview Microwave also has the expertise to build your custom cable assemblies for you and ship them same-day.

### Electrical Specifications

Description	Min	Typ	Max	Units
Frequency Range	DC		40	GHz

### Mechanical Specifications

Size	
Length	0.307 in [7.8 mm]
Width/Dia.	0.25 in [6.35 mm]
Height	0.25 in [6.35 mm]
Weight	0.001 lbs [0.45 g]

### Material Specifications

Description	Material	Plating
Contact	Beryllium Copper	Gold MIL-G-45204
Insulation	PTFE	
Body	Beryllium Copper	Gold MIL-G-45204

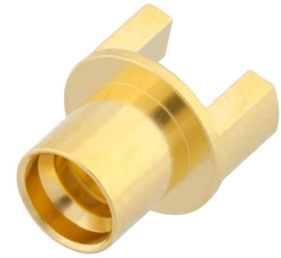
### Environmental Specifications

Temperature	
Operating Range	-55 to +155 deg C

**Compliance Certifications** (see [product page](#) for current document)

### Plotted and Other Data

Notes:



### Configuration:

- Full Detent SMP Male Connector
- MIL-STD-348
- 50 Ohms
- Straight Body Geometry
- Edge Launch Interface Type
- Solder Attachment

### Features:

- Operating Frequency of 40 GHz Max.
- Blind Mate Connector
- Gold Plated Beryllium Copper Contact
- Contact plating according to MIL-G-45204

### Applications:

- General Purpose Test
- PCB Applications

Fairview Microwave  
301 Leora Ln., Suite 100  
Lewisville, TX 75056  
Tel: 1-800-715-4396 / (972) 649-6678  
Fax: (972) 649-6689  
[www.fairviewmicrowave.com](http://www.fairviewmicrowave.com)  
[sales@fairviewmicrowave.com](mailto:sales@fairviewmicrowave.com)

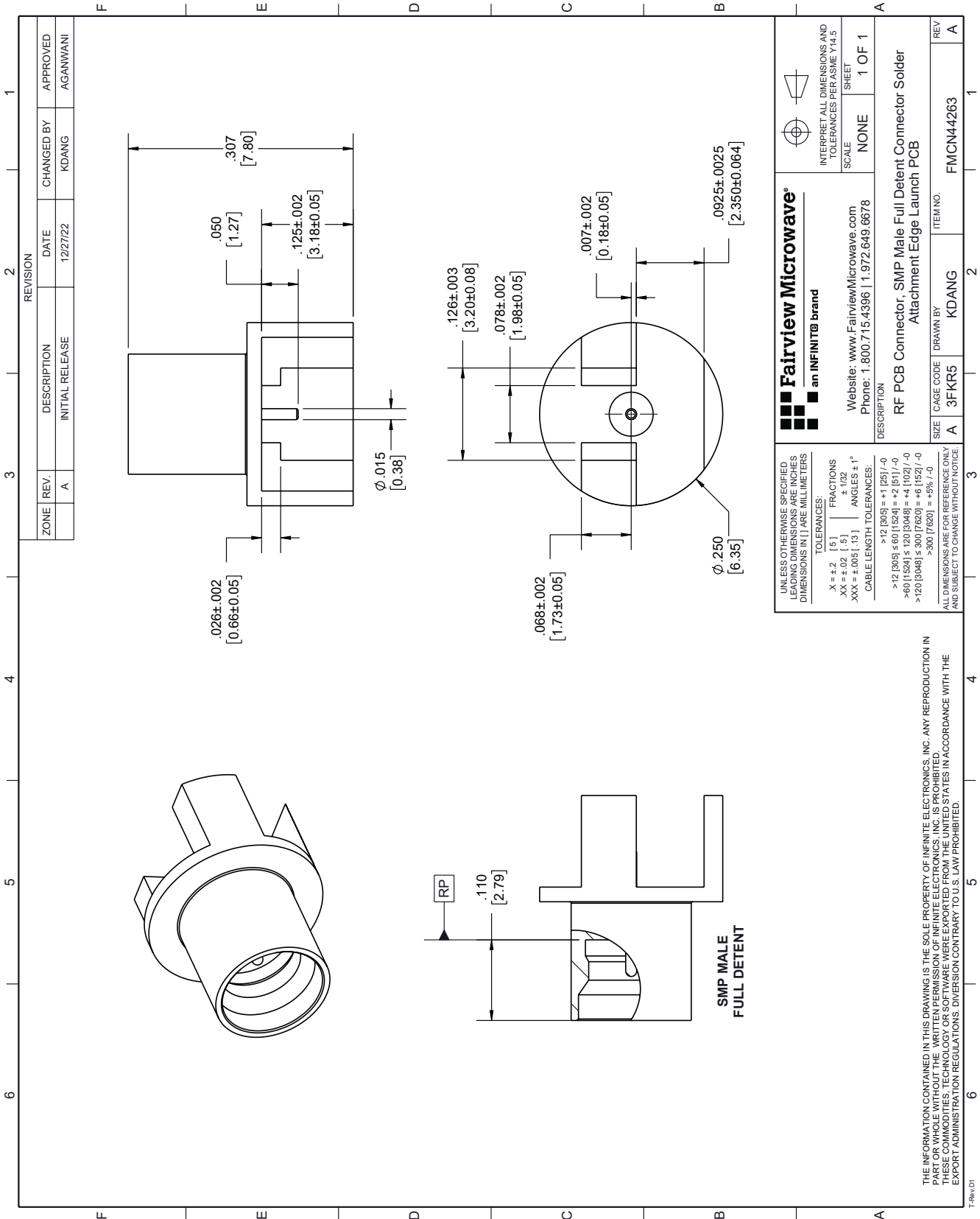
RF PCB Connector, SMP Male Full Detent Connector Solder Attachment Edge Launch PCB from Fairview Microwave is in-stock and available to ship same-day. All of our RF/microwave products are available off-the-shelf from our ISO 9001:2008 certified facilities in Lewisville, Texas. Fairview Microwave is RF on-demand.

For additional information on this product, please click the following link: [RF PCB Connector, SMP Male Full Detent Connector Solder Attachment Edge Launch PCB FMCN44263](#)

URL: <https://www.fairviewmicrowave.com/smp-male-full-detent-edge-launch-pcb-connector-fmcn44263-p.aspx>

The information contained in this document is accurate to the best of our knowledge and representative of the part described herein. It may be necessary to make modifications to the part and/or the documentation of the part, in order to implement improvements. Fairview Microwave reserves the right to make such changes as required. Unless otherwise stated, all specifications are nominal. Fairview Microwave does not make any representation or warranty regarding the suitability of the part described herein for any particular purpose, and Fairview Microwave does not assume any liability arising out of the use of any part or documentation.





REVISION		APPROVED	
ZONE	REV.	DESCRIPTION	DATE
	A	INITIAL RELEASE	12/27/22
		CHANGED BY	AGANWANI
		KDANG	

		INTERPRET ALL DIMENSIONS AND TOLERANCES PER ASME Y14.5 SCALE: NONE SHEET: 1 OF 1	
Website: <a href="http://www.FairviewMicrowave.com">www.FairviewMicrowave.com</a> Phone: 1.800.715.4396   1.972.649.6678		DESCRIPTION: RF PCB Connector, SMP Male Full Detent Connector Solder Attachment Edge Launch PCB	
SIZE	CAGE CODE	ITEM NO.	REV
A	3FKR5	FMCN44263	A

UNLESS OTHERWISE SPECIFIED, DIMENSIONS ARE IN INCHES AND DIMENSIONS IN LARGE MILLIMETERS

TOLERANCES:  
 .X = ±.2 (5) FRACTIONS  
 .XX = ±.02 (.5) ±.152  
 .XXX = ±.005 (.13) ±.00125  
 ANGLES ± 1°

CABLE LENGTH TOLERANCES:  
 >12 (305) ≤ 60 (1524) = +1 (25) / -0  
 >60 (1524) ≤ 120 (3048) = +4 (102) / -0  
 >120 (3048) ≤ 300 (7620) = +6 (152) / -0  
 >300 (7620) = +5% / -0

ALL DIMENSIONS ARE FOR REFERENCE ONLY AND SUBJECT TO CHANGE WITHOUT NOTICE.

THE INFORMATION CONTAINED IN THIS DRAWING IS THE SOLE PROPERTY OF INFINITE ELECTRONICS, INC. ANY REPRODUCTION IN ANY FORM OR BY ANY MEANS WITHOUT THE WRITTEN PERMISSION OF INFINITE ELECTRONICS, INC. IS PROHIBITED. THESE COMMODITY TECHNOLOGY OF SOFTWARE WERE EXPORTED FROM THE UNITED STATES IN ACCORDANCE WITH THE EXPORT ADMINISTRATION REGULATIONS. DIVERSION CONTRARY TO U.S. LAW PROHIBITED.