



## 75 Ohm SMB Jack to 50 Ohm BNC Male Adapter

### TECHNICAL DATA SHEET

PE9229

#### 75 Ohm SMB Jack to 50 Ohm BNC Male Adapter

##### Configuration

|                           |              |
|---------------------------|--------------|
| Connector 1               | SMB Jack     |
| Impedance 1               | 75 Ohms      |
| Connector Specification 1 | MIL-STD-348A |
| Connector 2               | BNC Male     |
| Impedance 2               | 50 Ohms      |
| Adapter Design            | Standard     |
| Body Style                | Straight     |

##### Mechanical Specifications

###### Size

|                     |               |
|---------------------|---------------|
| Length, in [mm]     | 1.202 [30.53] |
| Width/Dia., in [mm] | 0.57 [14.48]  |

###### Connector 1

|                                       |                  |
|---------------------------------------|------------------|
| Type                                  | SMB Jack         |
| Inner Conductor Material and Plating  | Brass, Gold      |
| Inner Conductor Plating Specification | 30µ in. minimum  |
| Body Material and Plating             | Brass, Nickel    |
| Body Plating Specification            | 100µ in. minimum |
| Dielectric Type                       | Teflon           |

###### Connector 2

|                                       |                  |
|---------------------------------------|------------------|
| Type                                  | BNC Male         |
| Inner Conductor Material and Plating  | Brass, Gold      |
| Inner Conductor Plating Specification | 30µ in. minimum  |
| Coupling Nut Material and Plating     | Brass, Nickel    |
| Coupling Nut Plating Specification    | 100µ in. minimum |
| Body Material and Plating             | Brass, Nickel    |
| Body Plating Specification            | 100µ in. minimum |
| Dielectric Type                       | Teflon           |

##### Compliance Certifications (visit [www.Pasternack.com](http://www.Pasternack.com) for current document)

|                |     |
|----------------|-----|
| RoHS Compliant | Yes |
|----------------|-----|

Click the following link (or enter part number in "SEARCH" on website) to obtain additional part information including price, inventory and certifications: [75 Ohm SMB Jack to 50 Ohm BNC Male Adapter PE9229](#)

The information contained in this document is accurate to the best of our knowledge and representative of the part described herein. It may be necessary to make modifications to the part and/or the documentation of the part, in order to implement improvements. Pasternack reserves the right to make such changes as required. Unless otherwise stated, all specifications are nominal.



## 75 Ohm SMB Jack to 50 Ohm BNC Male Adapter

### TECHNICAL DATA SHEET

PE9229

#### Plotted and Other Data

Notes:

Values at 25 °C, sea level

75 Ohm SMB Jack to 50 Ohm BNC Male Adapter from Pasternack Enterprises has same day shipment for domestic and International orders. Our RF, microwave and fiber optic products maintain a 99% availability and are part of the broadest selection in the industry.

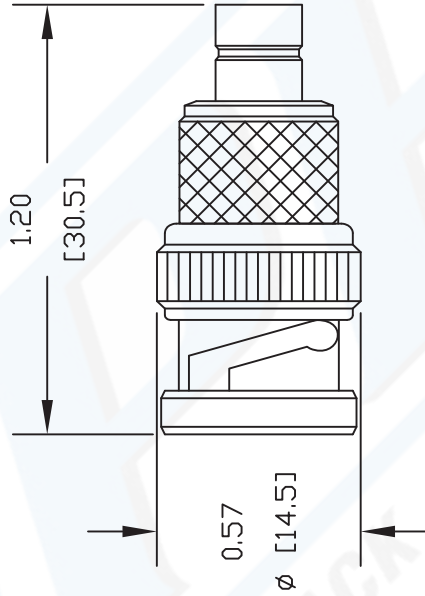
Click the following link (or enter part number in "SEARCH" on website) to obtain additional part information including price, inventory and certifications: [75 Ohm SMB Jack to 50 Ohm BNC Male Adapter PE9229](#)

URL: <http://www.pasternack.com/smb-jack-bnc-male-straight-adapter-pe9229-p.aspx>

The information contained in this document is accurate to the best of our knowledge and representative of the part described herein. It may be necessary to make modifications to the part and/or the documentation of the part, in order to implement improvements. Pasternack reserves the right to make such changes as required. Unless otherwise stated, all specifications are nominal.

# PE9229 CAD Drawing

75 Ohm SMB Jack to 50 Ohm BNC Male Adapter



DWG TITLE

**PE9229**

NOTES:  
1. UNLESS OTHERWISE SPECIFIED ALL DIMENSIONS ARE NOMINAL.  
2. ALL SPECIFICATIONS ARE SUBJECT TO CHANGE WITHOUT NOTICE AT ANY TIME.  
3. DIMENSIONS ARE IN INCHES [mm].

REV. -

FSCM NO. 53919

CAD FILE 083002

SCALE N/A

SIZE A

127



**PASTERNAK®**

Pasternack Enterprises, Inc.

P.O. Box 16759 | Irvine | CA | 92623

Phone: (949) 261-1920 | Fax: (949) 261-7451

Website: [www.pasternack.com](http://www.pasternack.com) | E-Mail: [sales@pasternack.com](mailto:sales@pasternack.com)