



## GR874 to BNC Male Adapter

### RF Adapters Technical Data Sheet

PE9223

#### Configuration

- GR874 Sexless Connector 1
- BNC Male Connector 2
- 50 Ohms
- Straight Body Geometry

#### Features

- BNC Interface compliant with MIL-STD-348
- Contact Plating per QQ-S-365

#### Applications

- Allows Connection Between Series
- General Purpose Test

#### Description

Pasternack's PE9223 GR874 to BNC male adapter is part of our full line of RF components available for same-day shipping. Our GR874 to BNC adapter has a sexless to male gender configuration.

RF adapters are often used to enable connections between two connector types that would otherwise not mate. Certain adapter configurations can also be used to protect connectors on expensive equipment where the number of connect/disconnect cycles is high. An RF, microwave or millimeter wave adapter is connected to the equipment, and the commonly changed connection is made with the adapter which can be easily replaced when it wears out after high usage; such adapters are referred to as connector savers. Pasternack also offers bulkhead, panel mount, hermetically sealed, reverse polarity, and isolated ground adapter varieties to serve all of your RF, microwave and millimeter wave needs.

#### Mechanical Specifications

##### Size

Length	1.8 in [45.72 mm]
Width	0.81 in [20.57 mm]
Weight	0.08 lbs [36.29 g]

Description	Connector 1	Connector 2
Type	GR874 Sexless	BNC Male
Polarity	Standard	Standard
Interface Specification		MIL-STD-348

Click the following link (or enter part number in "SEARCH" on website) to obtain additional part information including price, inventory and certifications: [GR874 to BNC Male Adapter PE9223](#)



## GR874 to BNC Male Adapter

### RF Adapters Technical Data Sheet

PE9223

#### Material Specifications

Description	Connector 1		Connector 2	
	Material	Plating	Material	Plating
Type	GR874 Sexless		BNC Male	
Contact		Nickel QQ-N-290		Silver QQ-S-365
Insulation	PTFE		PTFE	
Body	Brass	Nickel QQ-N-290	Brass	Nickel QQ-N-290
Coupling Nut			Brass	Nickel QQ-N-290

#### Compliance Certifications (see [product page](#) for current document)

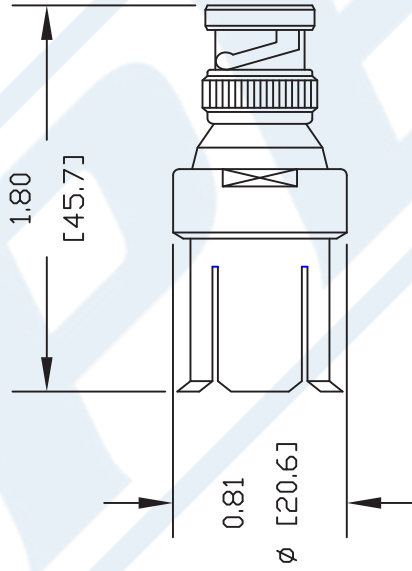
GR874 to BNC Male Adapter from Pasternack Enterprises has same day shipment for domestic and International orders. Our RF, microwave and millimeter wave products maintain a 99% availability and are part of the broadest selection in the industry.

Click the following link (or enter part number in "SEARCH" on website) to obtain additional part information including price, inventory and certifications: [GR874 to BNC Male Adapter PE9223](#)

URL: <https://www.pasternack.com/gr874-sexless-bnc-male-straight-adapter-pe9223-p.aspx>

The information contained in this document is accurate to the best of our knowledge and representative of the part described herein. It may be necessary to make modifications to the part and/or the documentation of the part, in order to implement improvements. Pasternack reserves the right to make such changes as required. Unless otherwise stated, all specifications are nominal. Pasternack does not make any representation or warranty regarding the suitability of the part described herein for any particular purpose, and Pasternack does not assume any liability arising out of the use of any part or documentation.

**PE9223 CAD Drawing**  
GR874 to BNC Male Adapter



DWG TITLE

**PE9223**

NOTES:  
1. UNLESS OTHERWISE SPECIFIED ALL DIMENSIONS ARE NOMINAL.  
2. ALL SPECIFICATIONS ARE SUBJECT TO CHANGE WITHOUT NOTICE AT ANY TIME.  
3. DIMENSIONS ARE IN INCHES [mm].

REV. -

FSCM NO. 53919

CAD FILE 081905

SCALE N/A

SIZE A

127



**PASTERNAK®**  
Pasternack Enterprises, Inc.  
P.O. Box 16759 | Irvine | CA | 92623

Phone: (949) 261-1920 | Fax: (949) 261-7451

Website: [www.pasternack.com](http://www.pasternack.com) | E-Mail: [sales@pasternack.com](mailto:sales@pasternack.com)