



## Hermetically Sealed Snap-On QMA Male to QMA Male Snap-On Adapter

### RF Adapters Technical Data Sheet

PE91341

#### Configuration

- Snap-On QMA Male Connector 1
- Snap-On QMA Male Connector 2
- 50 Ohms
- Straight Body Geometry

#### Features

- Max VSWR of 1.08:1 up to 6 GHz
- Hermetically Sealed
- 51 $\mu$  in. minimum contact plating
- Gold Plated Beryllium Copper Contact

#### Applications

- General Purpose Test
- Vacuum Test Environment

#### Description

Pasternack's PE91341 hermetically sealed snap-on QMA male to QMA male snap-on adapter is part of our full line of RF components available for same-day shipping. Our QMA to QMA adapter has a male to male gender configuration. PE91341 QMA male to QMA male adapter operates to 6 GHz. The Pasternack RF adapter provides excellent VSWR of 1.08:1 maximum. This hermetic QMA to QMA adapter prevents the leakage of gases, making it suitable for high pressure or vacuum applications or whenever an airtight seal is required.

RF adapters are often used to enable connections between two connector types that would otherwise not mate. Certain adapter configurations can also be used to protect connectors on expensive equipment where the number of connect/disconnect cycles is high. An RF, microwave or millimeter wave adapter is connected to the equipment, and the commonly changed connection is made with the adapter which can be easily replaced when it wears out after high usage; such adapters are referred to as connector savers. Pasternack also offers bulkhead, panel mount, hermetically sealed, reverse polarity, and isolated ground adapter varieties to serve all of your RF, microwave and millimeter wave needs.

#### Electrical Specifications

Description	Minimum	Typical	Maximum	Units
Frequency Range	DC		6	GHz
VSWR			1.08:1	
Insertion Loss			0.12	dB
Operating Voltage (AC)			500	Vrms
Dielectric Withstanding Voltage (AC)			1,000	Vrms
Insulation Resistance	5,000			MOhms
RF Leakage			70	dB

#### Mechanical Specifications

##### Size

Length	1.2 in [30.48 mm]
Width	0.41 in [10.41 mm]
Weight	0.02 lbs [9.07 g]

Click the following link (or enter part number in "SEARCH" on website) to obtain additional part information including price, inventory and certifications: [Hermetically Sealed Snap-On QMA Male to QMA Male Snap-On Adapter PE91341](#)



Hermetically Sealed Snap-On QMA Male  
to QMA Male Snap-On Adapter

RF Adapters Technical Data Sheet

PE91341

Description	Connector 1	Connector 2
Type	QMA Male	QMA Male
Polarity	Standard	Standard
Connector Option	Hermetically Sealed	Hermetically Sealed
Mating Cycles	100	100
Contact Captivation Axial Force, Min	6.07 lbs [2.75 Kg]	6.07 lbs [2.75 Kg]
Contact Captivation Torque, Min	0.63 in-lbs [0.07 Nm]	0.63 in-lbs [0.07 Nm]

**Material Specifications**

Description	Connector 1		Connector 2	
	Material	Plating	Material	Plating
Type	Snap-On QMA Male		Snap-On QMA Male	
Contact	Beryllium Copper	Gold 51µ in. minimum	Brass	Gold 51µ in. minimum
Insulation	PTFE		PTFE	
Body	Brass	Tri-Metal	Brass	Tri-Metal
Coupling Nut	Brass	Tri-Metal	Brass	Tri-Metal

**Environmental Specifications**

**Temperature**

Operating Range -40 to +105 deg C

Hermetic Seal

ATM. Cm<sup>3</sup>/s

**Compliance Certifications** (see [product page](#) for current document)

**Plotted and Other Data**

Notes:

Click the following link (or enter part number in "SEARCH" on website) to obtain additional part information including price, inventory and certifications: [Hermetically Sealed Snap-On QMA Male to QMA Male Snap-On Adapter PE91341](#)



## Hermetically Sealed Snap-On QMA Male to QMA Male Snap-On Adapter

### RF Adapters Technical Data Sheet

PE91341

Hermetically Sealed Snap-On QMA Male to QMA Male Snap-On Adapter from Pasternack Enterprises has same day shipment for domestic and International orders. Our RF, microwave and millimeter wave products maintain a 99% availability and are part of the broadest selection in the industry.

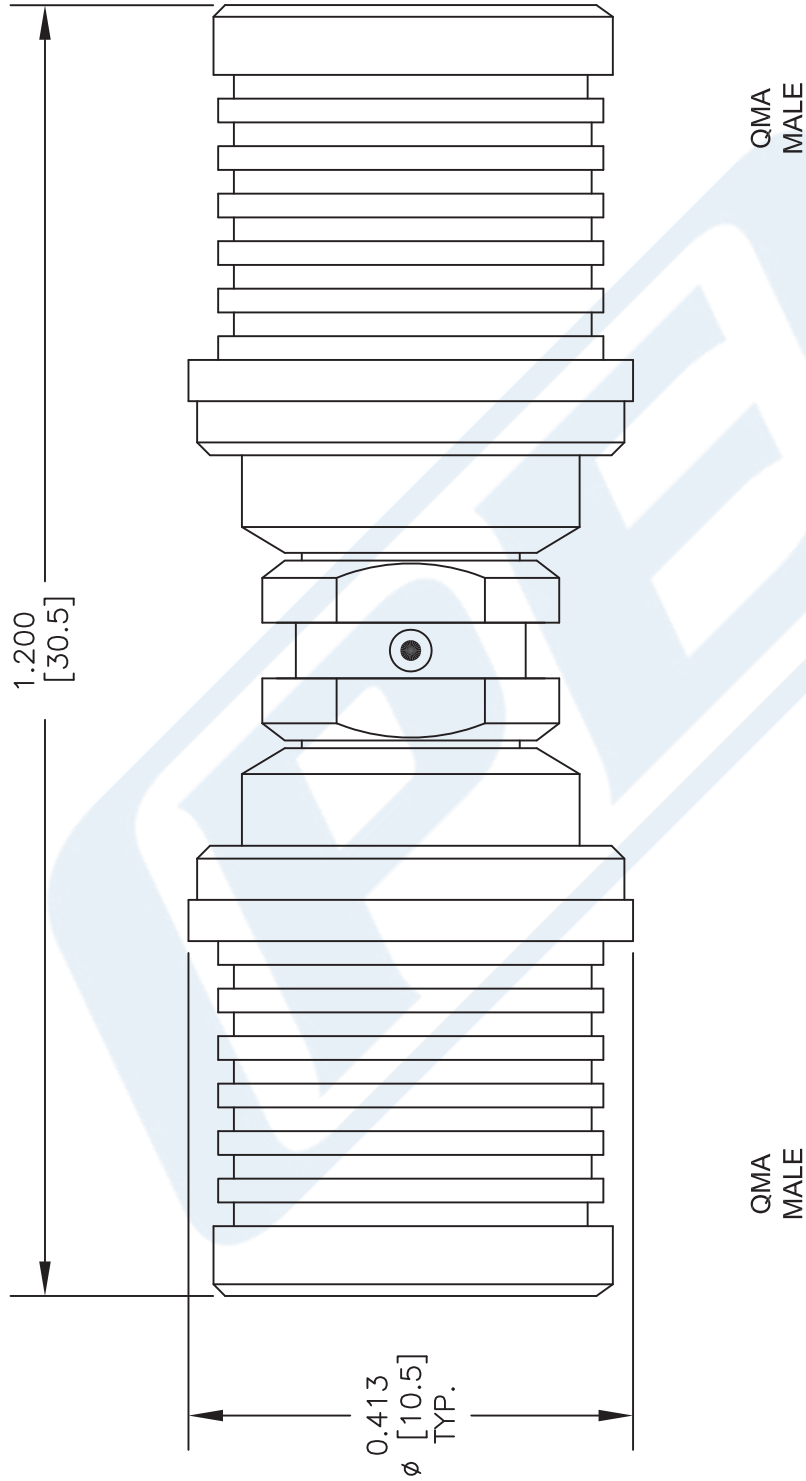
Click the following link (or enter part number in "SEARCH" on website) to obtain additional part information including price, inventory and certifications: [Hermetically Sealed Snap-On QMA Male to QMA Male Snap-On Adapter PE91341](#)

URL: <https://www.pasternack.com/qma-male-qma-male-straight-adapter-pe91341-p.aspx>

The information contained in this document is accurate to the best of our knowledge and representative of the part described herein. It may be necessary to make modifications to the part and/or the documentation of the part, in order to implement improvements. Pasternack reserves the right to make such changes as required. Unless otherwise stated, all specifications are nominal. Pasternack does not make any representation or warranty regarding the suitability of the part described herein for any particular purpose, and Pasternack does not assume any liability arising out of the use of any part or documentation.

# PE91341 CAD Drawing

Hermetically Sealed Snap-On QMA Male to QMA Male Snap-On Adapter



NOTES:  
1. UNLESS OTHERWISE SPECIFIED ALL DIMENSIONS ARE NOMINAL.  
2. ALL SPECIFICATIONS ARE SUBJECT TO CHANGE WITHOUT NOTICE AT ANY TIME.  
3. DIMENSIONS ARE IN INCHES [mm].

DWG TITLE  
**PE91341**

FSCM NO. 53919

CAD FILE 052316

SCALE N/A

SIZE A

2233

**PE PASTERNAK**  
THE ENGINEER'S RF SOURCE  
Pasternack Enterprises, Inc.  
P.O. Box 16759 | Irvine | CA | 92623

Phone: (949) 261-1920 | Fax: (949) 261-7451

Website: www.pasternack.com | E-Mail: sales@pasternack.com