



Hermetically Sealed 2.4mm Female to 2.4mm Female Bulkhead Mount Adapter, 50GHz VSWR1.35, MIL-STD-348B

RF Adapters Technical Data Sheet

PE1339

Configuration

- 2.4mm Female Connector 1
- 2.4mm Female Connector 2
- 50 Ohm
- Straight Body Geometry
- Bulkhead Mount Method

Features

- Max VSWR of 1.35:1 up to 50 GHz
- Hermetically Sealed
- 2.4mm interface compliant with MIL-STD-348B
- Gold Plated Beryllium Copper Contact

Applications

- General Purpose Test
- Vacuum Test Environment
- Rack Mounted Equipment

Description

Pasternack's PE1339 hermetically sealed 2.4mm female to 2.4mm female bulkhead adapter is part of our full line of RF components available for same-day shipping. The 2.4mm connector mates mechanically with commercially available 1.85mm (V) connectors. Our 2.4mm to 2.4mm adapter has a female to female gender configuration built of durable stainless steel. PE1339 2.4mm female to 2.4mm female adapter operates to 50 GHz. The Pasternack RF adapter provides good VSWR of 1.35:1 maximum. This RF 2.4mm to 2.4mm bulkhead adapter allows designers to create external connections on their product enclosures, and can be used in a variety of other rack mount and panel mount applications. This hermetic 2.4mm to 2.4mm adapter prevents the leakage of gases, making it suitable for high pressure or vacuum applications or whenever an airtight seal is required.

RF adapters are often used to enable connections between two connector types that would otherwise not mate. Certain adapter configurations can also be used to protect connectors on expensive equipment where the number of connect/disconnect cycles is high. An RF, microwave or millimeter wave adapter is connected to the equipment, and the commonly changed connection is made with the adapter which can be easily replaced when it wears out after high usage; such adapters are referred to as connector savers. Pasternack also offers bulkhead, panel mount, hermetically sealed, reverse polarity, and isolated ground adapter varieties to serve all of your RF, microwave and millimeter wave needs.

Electrical Specifications

Description	Minimum	Typical	Maximum	Units
Frequency Range	DC		50	GHz
VSWR			1.35:1	
Insertion Loss			0.56	dB
Operating Voltage (AC)			150	Vrms
Dielectric Withstanding Voltage (AC)			500	Vrms
Insulation Resistance	5,000			MOhms

Click the following link (or enter part number in "SEARCH" on website) to obtain additional part information including price, inventory and certifications: [Hermetically Sealed 2.4mm Female to 2.4mm Female Bulkhead Mount Adapter, 50GHz VSWR1.35, MIL-STD-348B PE1339](#)



Hermetically Sealed 2.4mm Female to 2.4mm Female
Bulkhead Mount Adapter, 50GHz VSWR1.35, MIL-STD-348B

RF Adapters Technical Data Sheet

PE1339

Mechanical Specifications

Size

Length	0.92 in [23.37 mm]
Width	0.56 in [14.22 mm]
Height	0.56 in [14.22 mm]
Weight	0.02 lbs [8.50 g]

Description	Connector 1	Connector 2
Type	2.4mm Female	2.4mm Female
Polarity	Standard	Standard
Interface Specification	MIL-STD-348B	MIL-STD-348B
Connector Option	Hermetically Sealed	Hermetically Sealed
Mating Cycles, Min	500	500
Mating Torque	7.08 to 9.74 in-lbs [0.80 to 1.10 Nm]	7.08 to 9.74 in-lbs 0.80 to 1.10 Nm
Contact Captivation Axial Force, Min	4.5 lbs [2.04 kg]	4.5 lbs [2.04 kg]
Coupling Proof Torque	15 in-lbs [1.7 Nm]	15 in-lbs [1.7 Nm]

Material Specifications

Description	Connector 1		Connector 2	
	Material	Plating	Material	Plating
Type	2.4mm Female		2.4mm Female	
Contact	Beryllium Copper	Gold	Beryllium Copper	Gold
Insulation	PEI		PEI	
Outer Conductor	Stainless Steel	Passivated	Stainless Steel	Passivated
Body	Stainless Steel	Passivated	Stainless Steel	Passivated

Environmental Specifications

Temperature

Operating Range -10 to +165 °C

Humidity

MIL-STD-202, Method 206

Thermal Shock

MIL-STD-202, Method 107, Condition B

Salt Spray

MIL-STD-202, Method 101, Condition B

Hermetic Seal

1*10⁻⁸ cc/sec of HELIUM at 1 ATM

Click the following link (or enter part number in "SEARCH" on website) to obtain additional part information including price, inventory and certifications: [Hermetically Sealed 2.4mm Female to 2.4mm Female Bulkhead Mount Adapter, 50GHz VSWR1.35, MIL-STD-348B PE1339](#)



Hermetically Sealed 2.4mm Female to 2.4mm Female
Bulkhead Mount Adapter, 50GHz VSWR1.35, MIL-STD-348B

RF Adapters Technical Data Sheet

PE1339

Compliance Certifications (see [product page](#) for current document)

Plotted and Other Data

Notes:

Hermetically Sealed 2.4mm Female to 2.4mm Female Bulkhead Mount Adapter, 50GHz VSWR1.35, MIL-STD-348B from Pasternack Enterprises has same day shipment for domestic and International orders. Our RF, microwave and millimeter wave products maintain a 99.4% availability and are part of the broadest selection in the industry.

Click the following link (or enter part number in "SEARCH" on website) to obtain additional part information including price, inventory and certifications: [Hermetically Sealed 2.4mm Female to 2.4mm Female Bulkhead Mount Adapter, 50GHz VSWR1.35, MIL-STD-348B PE1339](#)

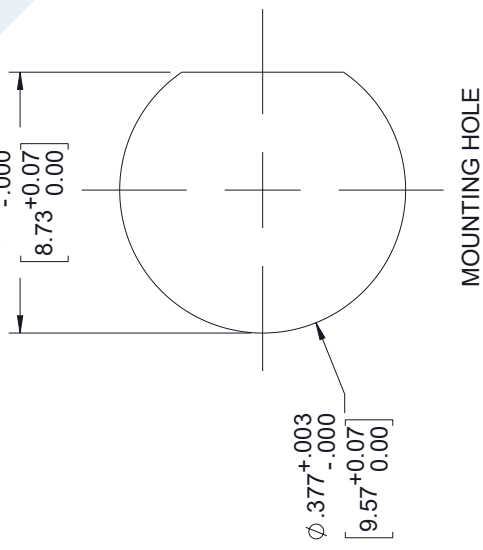
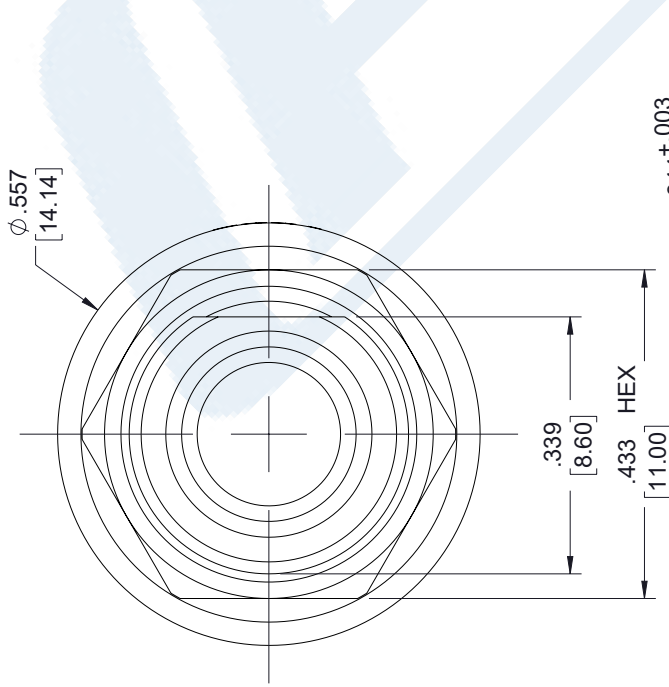
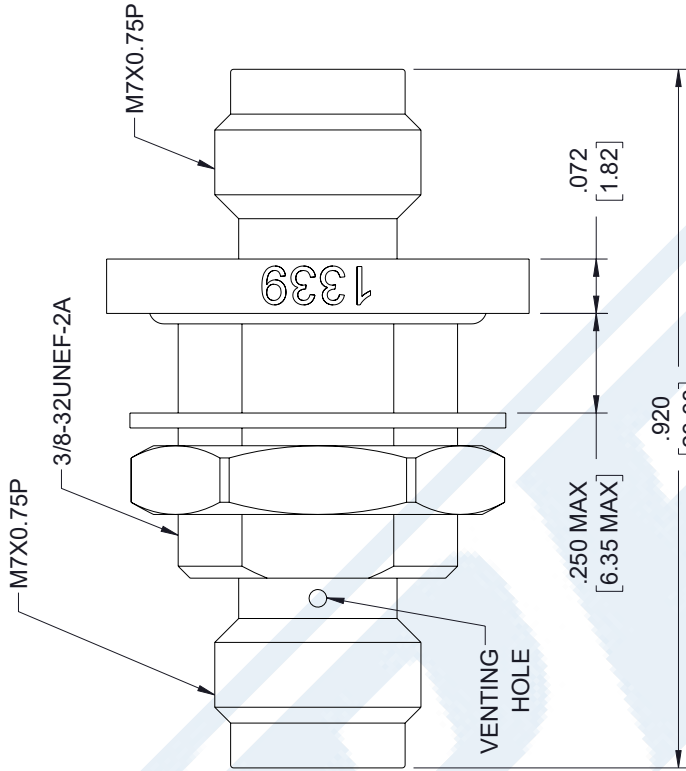
URL: <https://www.pasternack.com/hermetically-sealed-2.4mm-female-to-2.4mm-female-bulkhead-mount-adapter-50ghz-vswr1.35-mil-std-348b-pe1339-p.aspx>

The information contained in this document is accurate to the best of our knowledge and representative of the part described herein. It may be necessary to make modifications to the part and/or the documentation of the part, in order to implement improvements. Pasternack reserves the right to make such changes as required. Unless otherwise stated, all specifications are nominal. Pasternack does not make any representation or warranty regarding the suitability of the part described herein for any particular purpose, and Pasternack does not assume any liability arising out of the use of any part or documentation.

PE1339 CAD Drawing

Hermetically Sealed 2.4mm Female to 2.4mm Female Bulkhead Mount Adapter, 50GHz VSWR1.35, MIL-STD-348B

REVISIONS		
REV.	DESCRIPTION	DATE
A	INITIAL RELEASE	12/09/2022
		APPROVED
		AGANWANI



PE PASTERNAK
an INFINITI® brand

Pasternack Enterprises, Inc.
P. O. Box 16759, Irvine, CA 92623
Phone: 1.949.261.1920 | 1.866.727.8376
Fax: 1.949.261.7451
Website: www.pasternack.com
E-mail: sales@pasternack.com

THIRD-ANGLE PROJECTION

THE INFORMATION AND DESIGN IN THIS DOCUMENT IS THE PROPERTY OF PASTERNAK CORPORATION. ALL RIGHTS RESERVED.

SHEET 1 OF 1

SCALE N/A

UNLESS OTHERWISE SPECIFIED LEADING DIMENSIONS ARE INCHES DIMENSIONS IN [] ARE MILLIMETERS

TOLERANCES:

X = ± 2 [5.08] FRACTIONS ± 1/32 ANGLES ± 1°

.XX = ± 0.2 [5.1] CABLE LENGTH (L) TOLERANCES:

L ≤ 12 [305] = +1 [25] / -0

12 [305] < L ≤ 60 [1524] = +2 [51] / -0

60 [1524] < L ≤ 120 [3048] = +4 [102] / -0

120 [3048] < L ≤ 300 [7620] = +6 [152] / -0

300 [7620] < L = +5% / -0

ALL DIMENSIONS SHOWN ARE FOR REFERENCE ONLY.

SIZE CAGE CODE DRAWN BY ITEM NO. REV

A 53919 HBAKKE PE1339 A

THESE COMMODITIES, TECHNOLOGY OR SOFTWARE WERE EXPORTED FROM THE UNITED STATES IN ACCORDANCE WITH THE EXPORT ADMINISTRATION REGULATIONS. DIVERSION CONTRARY TO U.S. LAW PROHIBITED.