

50 Ohm N Female to 75 Ohm F Male Adapter

50 ohm type N female to 75 ohm type F male adapter part number SM4620 from Fairview Microwave is in-stock and ships same day. This Fairview type N to type F adapter has a female to male gender configuration. SM4620 type N female to type F male adapter operates to 2 GHz.

RF adapters can be used to enable connections between two connector types that would otherwise not mate. Certain RF adapter configurations can also be used to protect connectors on expensive equipment where the number of connect and disconnect cycles is high. An RF, microwave, or millimeter wave adapter is connected to the equipment and the commonly changed connection is made with the adapter which can be easily replaced when it wears out after high usage; such adapters are referred to as connector savers. Fairview Microwave also offers bulkhead, panel mount, hermetically sealed, reverse polarity, and isolated ground adapter varieties to serve all of your RF, microwave and millimeter wave needs.

Electrical Specifications

Description	Min	Typ	Max	Units
Frequency Range	DC		2	GHz

Electrical Specification Notes:
 Values at 25° C, sea level.

Mechanical Specifications

Size	
Length	1.25 in [31.75 mm]
Width	0.625 in [15.88 mm]
Weight	0.05071 lbs [23 g]

Description	Connector 1	Connector 2
Type	N Female	F Male
Polarity	Standard	Standard
Interface Specification	MIL-STD-348	MIL-C-39012
Hex Size		7/16 inch

Mechanical Specification Notes:
 The 75 Ohm "N" Connector will not mate with 50 Ohm "N" Connectors and could damage one or both "N" Connectors
 There is no impedance transformation within this part : VSWR>1.50:1
 Not all "F" type connectors will mate with all "F" type connectors



Configuration:

- N Female Connector 1
- F Male Connector 2
- 50 Ohms, 75 Ohms
- Straight Body Geometry

Features:

- N interface meets MIL-STD-348
- F interface meets MIL-C-39012
- Contact plating according to MIL-G-45204
- Gold Plated Beryllium Copper Contact

Applications:

- Enables Between Series Connections
- General Purpose Test

Fairview Microwave
 1130 Junction Dr. #100
 Allen, TX 75013
 Tel: 1-800-715-4396 / (972) 649-6678
 Fax: (972) 649-6689
www.fairviewmicrowave.com
sales@fairviewmicrowave.com

Material Specifications

Description	Connector 1	Connector 2
Type	N Female	F Male
Contact Material	Beryllium Copper	Beryllium Copper
Contact Plating	Gold	Gold
Contact Plating Spec.	MIL-G-45204	MIL-G-45204
Insulation Material	PTFE	PTFE
Outer Contact Material	Brass	
Outer Contact Plating	Nickel	
Outer Contact Plating Spec.	QQ-N-290	
Body Material		Brass
Body Plating		Nickel
Body Plating Spec.		QQ-N-290

Compliance Certifications (see [product page](#) for current document)

Plotted and Other Data

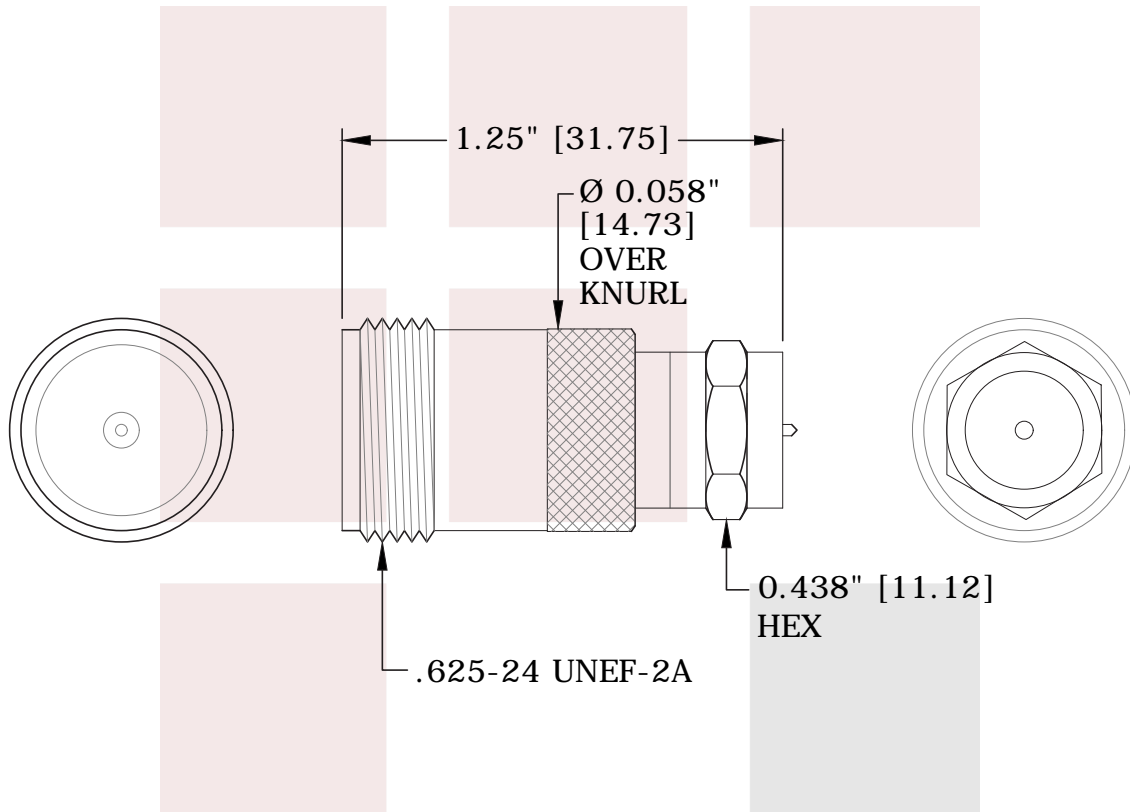
Notes:

50 Ohm N Female to 75 Ohm F Male Adapter from Fairview Microwave is in-stock and available to ship same-day. All of our RF/microwave products are available off-the-shelf from our ISO 9001:2008 certified facilities in Allen, Texas. Fairview Microwave is RF on-demand.

For additional information on this product, please click the following link: [50 Ohm N Female to 75 Ohm F Male Adapter SM4620](#)

URL: <https://www.fairviewmicrowave.com/50-ohm-n-female-75-ohm-f-male-adapter-sm4620-p.aspx>

The information contained in this document is accurate to the best of our knowledge and representative of the part described herein. It may be necessary to make modifications to the part and/or the documentation of the part, in order to implement improvements. Fairview Microwave reserves the right to make such changes as required. Unless otherwise stated, all specifications are nominal. Fairview Microwave does not make any representation or warranty regarding the suitability of the part described herein for any particular purpose, and Fairview Microwave does not assume any liability arising out of the use of any part or documentation.



FAIRVIEW MICROWAVE INC. ALLEN, TX 75013 WWW.FAIRVIEWMICROWAVE.COM		NOTES: 1. UNLESS OTHERWISE SPECIFIED ALL DIMENSIONS ARE NOMINAL. 2. ALL SPECIFICATIONS ARE SUBJECT TO CHANGE WITHOUT NOTICE AT ANY TIME. 3. DIMENSIONS ARE IN INCHES [mm].			
TITLE 50 Ohm N Female to 75 Ohm F Male Adapter		DWG NO SM4620		CAGE CODE 3FKR5	
CAD FILE	100615	SHEET	SCALE	N/A	SIZE A 5568