

## RA N Female to N Female Bulkhead Adapter

RA type N female to type N female bulkhead adapter part number FMAD1241 from Fairview Microwave is in-stock and ships same day. This Fairview type N to type N adapter has a female to female gender configuration. FMAD1241 type N female to type N female adapter operates to 11 GHz. The Fairview Microwave RF adapter provides excellent VSWR of 1.2:1 maximum. This right angle type N adapter allows for easier connections in tight spaces. Our RF type N to type N bulkhead adapter allows designers to create external connections on their product enclosures, and can be used in a variety of other rack mount and panel mount applications.

RF adapters can be used to enable connections between two connector types that would otherwise not mate. Certain RF adapter configurations can also be used to protect connectors on expensive equipment where the number of connect and disconnect cycles is high. An RF, microwave, or millimeter wave adapter is connected to the equipment and the commonly changed connection is made with the adapter which can be easily replaced when it wears out after high usage; such adapters are referred to as connector savers. Fairview Microwave also offers bulkhead, panel mount, hermetically sealed, reverse polarity, and isolated ground adapter varieties to serve all of your RF, microwave and millimeter wave needs.

### Electrical Specifications

Description	Min	Typ	Max	Units
Frequency Range	DC		11	GHz
VSWR			1.2:1	

### Mechanical Specifications

Size	
Length	2.2 in [56.9 mm]
Width	0.866 in [22 mm]
Height	1.22 in [30.99 mm]
Weight	0.22825 lbs [103.53 g]

Description	Connector 1	Connector 2
Type	N Female	N Female
Polarity	Standard	Standard
Mating Cycles	500	500
Hex Size		19



### Configuration:

- N Female Connector 1
- N Female Connector 2
- 50 Ohm
- Right Angle Body Geometry
- Bulkhead Mount Method

### Features:

- VSWR of 1.2:1 max up to 11 GHz
- 80 µin contact plating
- Gold over Nickel Plated Beryllium Copper Contact

### Applications:

- General Purpose Test
- Rack Mounted Equipment

Fairview Microwave  
 301 Leora Ln., Suite 100  
 Lewisville, TX 75056  
 Tel: 1-800-715-4396 / (972) 649-6678  
 Fax: (972) 649-6689  
[www.fairviewmicrowave.com](http://www.fairviewmicrowave.com)  
[sales@fairviewmicrowave.com](mailto:sales@fairviewmicrowave.com)

**Material Specifications**

Description	Connector 1	Connector 2
Type	N Female	N Female
Contact Material	Beryllium Copper	Beryllium Copper
Contact Plating	Gold over Nickel	Gold over Nickel
Contact Plating Spec.	80 µin	80 µin
Insulation Material	PTFE	PTFE
Outer Contact Material	Brass	Brass
Outer Contact Plating	Tri-Metal	Tri-Metal
Outer Contact Plating Spec.	100 µin	100 µin
Body Material	Brass	Brass
Body Plating	Tri-Metal	Tri-Metal
Body Plating Spec.	100 µin	100 µin
Gasket Material		Silicon
Washer Material		Brass
Washer Plating		Tri-Metal
Washer Plating Specification		100 µin
Coupling Nut Material		Brass
Coupling Nut Plating		Tri-Metal
Coupling Nut Plating Spec.		100 µin

**Environmental Specifications**
**Temperature**

Operating Range -65 to +165 deg C

**Compliance Certifications** (see [product page](#) for current document)

**Plotted and Other Data**

Notes:

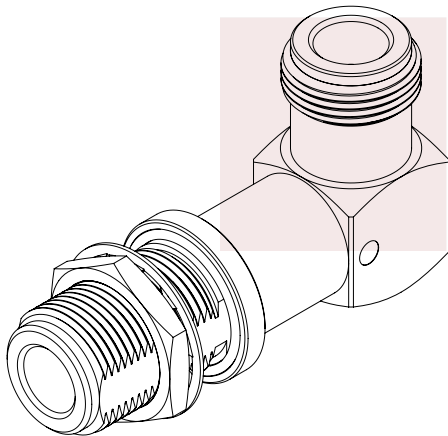
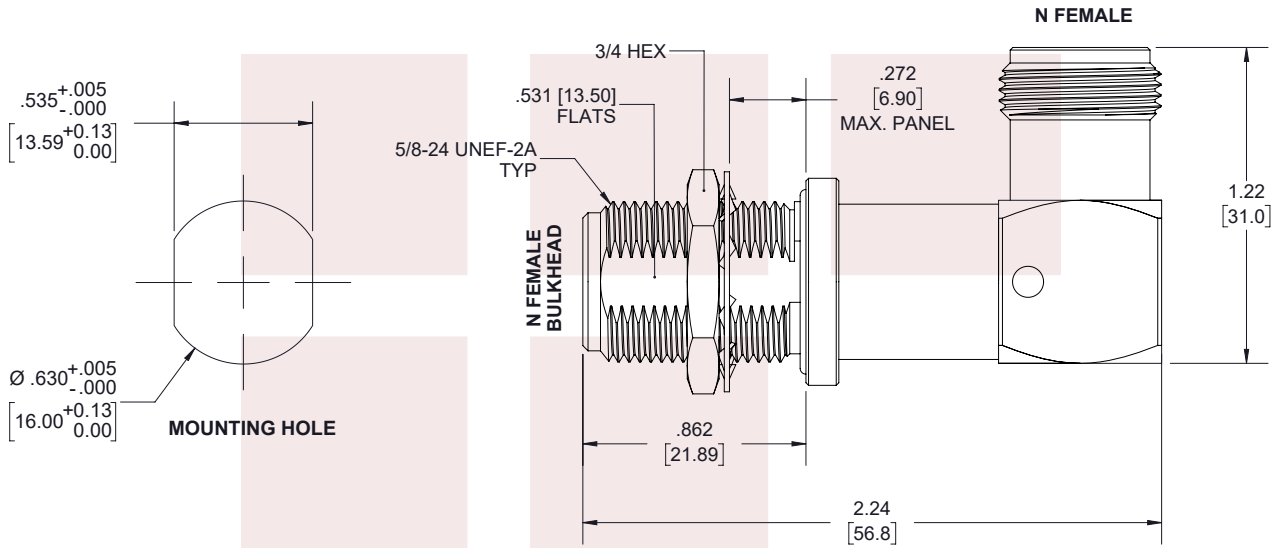
RA N Female to N Female Bulkhead Adapter from Fairview Microwave is in-stock and available to ship same-day. All of our RF/microwave products are available off-the-shelf from our ISO 9001:2008 certified facilities in Lewisville, Texas. Fairview Microwave is RF on-demand.

For additional information on this product, please click the following link: [RA N Female to N Female Bulkhead Adapter FMAD1241](#)

URL: <https://www.fairviewmicrowave.com/ra-n-female-n-female-bulkhead-adapter-fmad1241-p.aspx>

The information contained in this document is accurate to the best of our knowledge and representative of the part described herein. It may be necessary to make modifications to the part and/or the documentation of the part, in order to implement improvements. Fairview Microwave reserves the right to make such changes as required. Unless otherwise stated, all specifications are nominal. Fairview Microwave does not make any representation or warranty regarding the suitability of the part described herein for any particular purpose, and Fairview Microwave does not assume any liability arising out of the use of any part or documentation.

REVISIONS			
REV.	DESCRIPTION	DATE	APPROVED
A	INITIAL RELEASE	12/05/19	S.ELLIS



THESE COMMODITIES, TECHNOLOGY OR SOFTWARE WERE EXPORTED FROM THE UNITED STATES IN ACCORDANCE WITH THE EXPORT ADMINISTRATION REGULATIONS. DIVERSION CONTRARY TO U.S. LAW PROHIBITED.

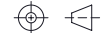
TITLE  
RA N Female to N Female Bulkhead Adapter

UNLESS OTHERWISE SPECIFIED LEADING DIMENSIONS ARE INCHES  
DIMENSIONS IN [ ] ARE MILLIMETERS

TOLERANCES: CABLE LENGTH (L) TOLERANCES:

.X = ±.2 [5.08]	FRACTIONS ± 1/32	L ≤ 12 [305] = +1 [25] / -0
.XX = ±.02 [.51]	ANGLES ± 1°	12 [305] < L ≤ 60 [1524] = +2 [51] / -0
.XXX = ±.005 [.13]		60 [1524] < L ≤ 120 [3048] = +4 [102] / -0
		120 [3048] < L ≤ 300 [7620] = +6 [152] / -0
		300 [7620] < L = +5%L / -0

THIRD-ANGLE PROJECTION



THE INFORMATION AND DESIGN IN THIS DOCUMENT IS THE PROPERTY OF FAIRVIEW MICROWAVE CORPORATION. ALL RIGHTS RESERVED.

SHEET 1 OF 1

ALL DIMENSIONS SHOWN ARE FOR REFERENCE ONLY.

SCALE N/A

SIZE A	CAGE CODE 3FKR5	DRAWN BY K.DANG	PART NUMBER FMAD1241	REV A
-----------	--------------------	--------------------	-------------------------	----------

T-Rev.D