



SMA Female Shorting With 3.5 Inch Chain

Shorts and Caps Technical Data Sheet

PE6251

Mechanical Specifications

Configuration

Connector	SMA Female Shorting
Chain Option	3.5 in Chain
Hex Size	5/16 In.

Description	Material	Plating
Contact	Beryllium Copper	Gold MIL-G-45204
Body	Passivated Stainless Steel	Gold
Coupling Nut	Passivated Stainless Steel	Gold

Size

Length	0.32 in [8.13 mm]
Weight	0.009 lbs [4.08 g]

Environmental Specifications

Temperature

Operating Range	-65 to +165 deg C
-----------------	-------------------

Click the following link (or enter part number in "SEARCH" on website) to obtain additional part information including price, inventory and certifications: [SMA Female Shorting With 3.5 Inch Chain PE6251](#)



SMA Female Shorting With 3.5 Inch Chain

Shorts and Caps Technical Data Sheet

PE6251

Compliance Certifications (see [product page](#) for current document)

Plotted and Other Data

Notes:

SMA Female Shorting With 3.5 Inch Chain from Pasternack Enterprises has same day shipment for domestic and International orders. Our RF, microwave and millimeter wave products maintain a 99.4% availability and are part of the broadest selection in the industry.

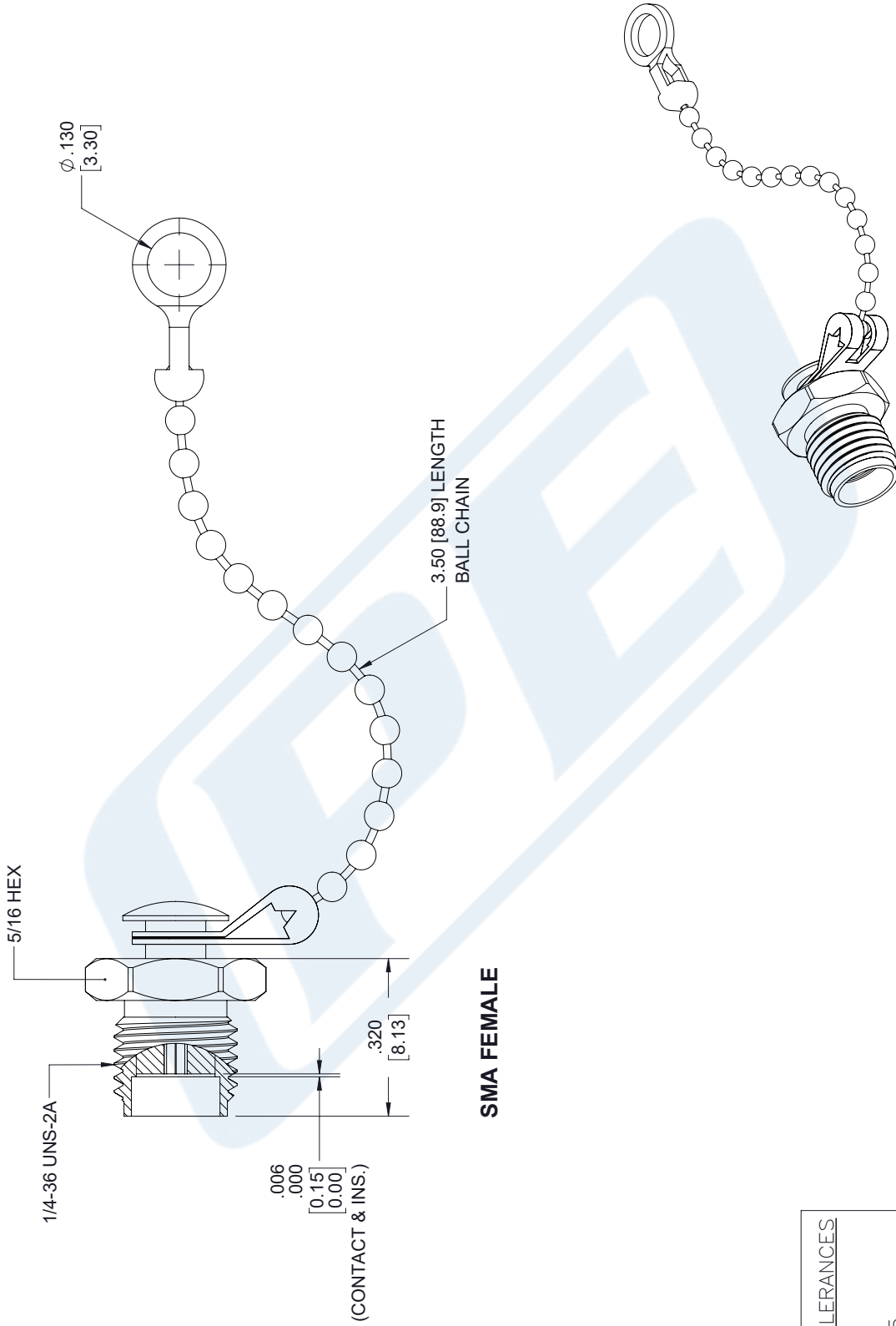
Click the following link (or enter part number in "SEARCH" on website) to obtain additional part information including price, inventory and certifications: [SMA Female Shorting With 3.5 Inch Chain PE6251](#)

URL: <https://www.pasternack.com/shorting-sma-female-with-3.5-inch-chain-pe6251-p.aspx>

The information contained in this document is accurate to the best of our knowledge and representative of the part described herein. It may be necessary to make modifications to the part and/or the documentation of the part, in order to implement improvements. Pasternack reserves the right to make such changes as required. Unless otherwise stated, all specifications are nominal. Pasternack does not make any representation or warranty regarding the suitability of the part described herein for any particular purpose, and Pasternack does not assume any liability arising out of the use of any part or documentation.

PE6251 CAD Drawing

SMA Female Shorting With 3.5 Inch Chain



SMA FEMALE

STANDARD TOLERANCES

.X ±0.2
 .XX ±0.01
 .XXX ±0.005

*STANDARD TOLERANCES APPLY ONLY TO DIMENSIONS IN INCHES



Pasternack Enterprises, Inc.
 P.O. Box 16759 | Irvine | CA | 92623
Phone: (949) 261-1920 | **Fax:** (949) 261-7451
Website: www.pasternack.com | **E-Mail:** sales@pasternack.com

DWG TITLE

PE6251

NOTES:
 1. UNLESS OTHERWISE SPECIFIED ALL DIMENSIONS ARE NOMINAL.
 2. ALL SPECIFICATIONS ARE SUBJECT TO CHANGE WITHOUT NOTICE AT ANY TIME
 3. DIMENSIONS ARE IN INCHES [mm].

CAGE CODE 53919

CAD FILE 021418

SCALE N/A

SIZE A

7361