



Data Sheet

AB1270A-LW100

Features:

- 12mm Piezo Bender with lead wire assembly
- Ideal for high temperature applications

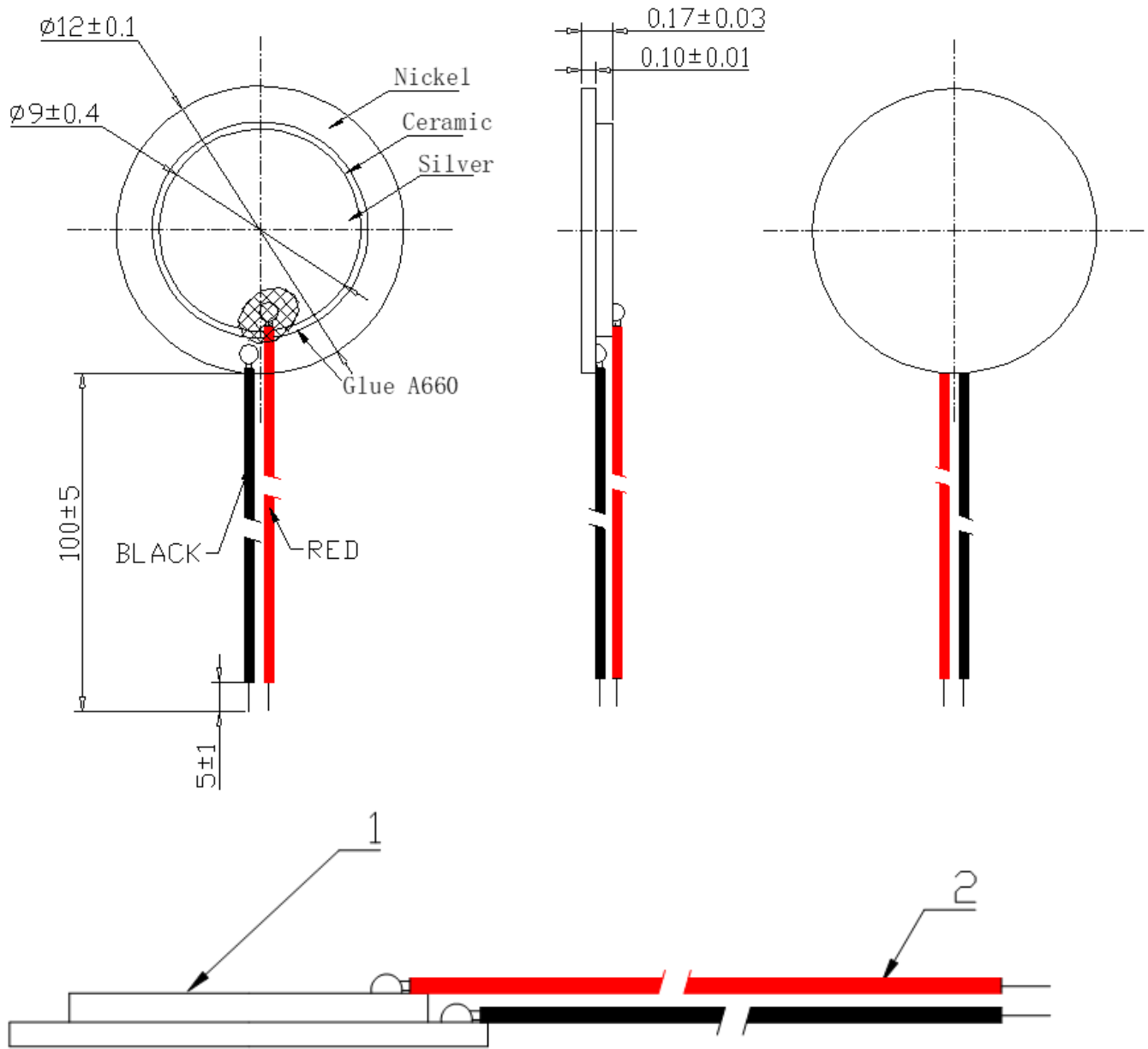
Design:

- RoHS/REACH exempt PZT ceramics
- Actuator dimensions: $\varnothing 12 \times 0.17$ (mm)

Specifications

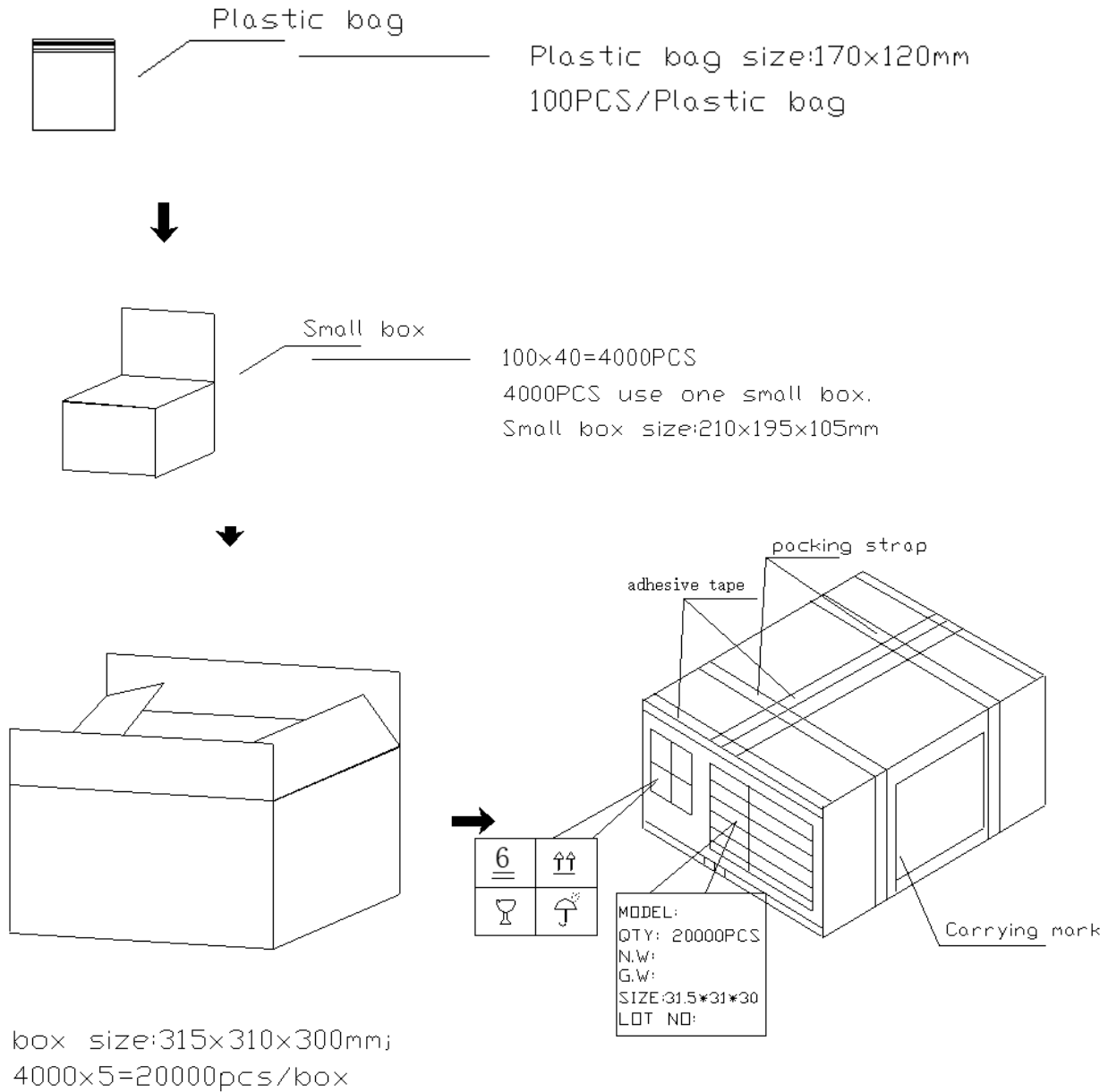
Parameters	Values	Units
Resonant Frequency	7000±500	Hz
Resonant Impedance	600	Ohm
Maximum Input Voltage	30	Vp-p
Capacitance	15,000 ± 30%	pF (at 1V, 100Hz)
Plate Material	Alloy	
Storage Temperature	-30 ~ +80	°C
Operating Temperature	-30 ~ +80	°C
Environmental Compliances	RoHS/REACH	Exempt 7c-1
Lead Wire	UL1571 AWG30	
Weight	0.4	grams

Dimensions (PZT Ceramic (+), Alloy Substrate (-))



Part No.	Part Name	Material
1	Piezo element	Alloy
2	Lead wire	UL1571 AWG30(Red &Black)

Packaging



Specifications Revisions

Revision	Description	Date
A	RELEASED FROM ENGINEERING	8/1/2023

Note:

- Unless otherwise specified:
 - All dimensions are in millimeters.
 - Default tolerances are $\pm 0.5\text{mm}$ and angles are $\pm 3^\circ$.
- Specifications subject to change or withdrawal without notice.