

AEGA047NN0000051A000 ✓ ACTIVE

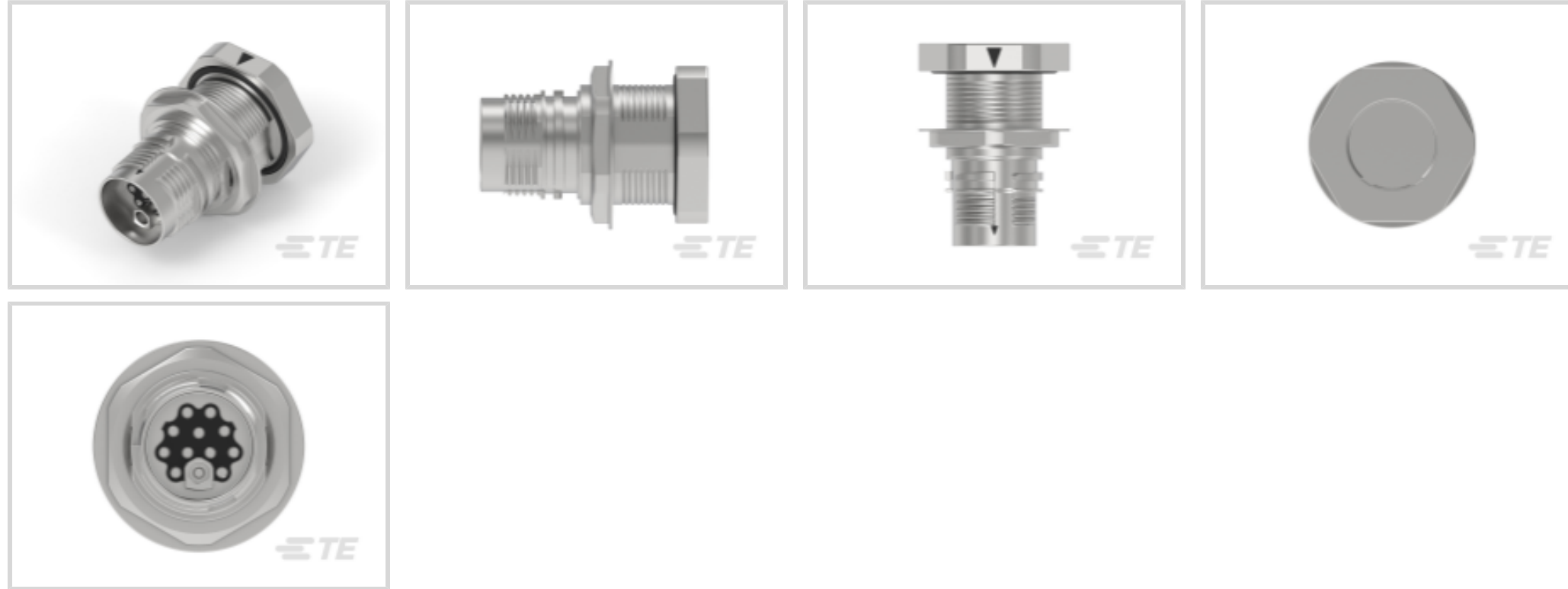
TE Internal #: AEA047N0000051A000

Standard Circular Connectors, Cable-to-Panel, 12 Position, Signal, Panel Mount, Electrodeposited Nickel, Zinc Alloy, PBT GF, 0 Power Positions

[View on TE.com >](#)



Connectors > Circular Connectors > Standard Circular Connectors



Connector System: **Cable-to-Panel**

Connector Mounting Type: **Panel Mount**

Number of Positions: **12**

Sealable: **No**

Circuit Application: **Signal**

Features

Product Type Features

Product Type	Housing Assembly
Connector System	Cable-to-Panel
Sealable	No
Circular Connector Type	Receptacle
Shell Type	Metal

Configuration Features

Number of Positions	12
Number of Power Positions	0
Number of Signal Positions	12
Contacts Preloaded	No

Electrical Characteristics

Operating Voltage	32 VAC
-------------------	--------

Body Features

Environmental Protection Type	Sealed
-------------------------------	--------



Environmental Protection	IP67
Shell Plating Material	Electrodeposited Nickel
Shell Base Material	Zinc Alloy
Circular Connector Insulation Material Type	PBT GF

Mechanical Attachment

Mating Retention Type	Speedtec (Triple Start Threaded)
Mating Alignment	With
Panel Mount Feature	With
Panel Mount Feature Type	Flange with Mounting Holes
Connector Mounting Type	Panel Mount
Mating Retention	With

Housing Features

Circular Connector Shell Size	23
Alignment Keyed	Uncoded

Usage Conditions

IP Water Sealing Level	IP67
Operating Temperature Range	-20 - 130 °C[-4 - 266 °F]

Operation/Application

Durability Rating	500 Cycles
Circuit Application	Signal
Shielded	No

Industry Standards

UL Flammability Rating	UL 94V-0
Compatible With Approved Standards Products	UL

Product Compliance

[For compliance documentation, visit the product page on TE.com>](#)

EU RoHS Directive 2011/65/EU	Compliant with Exemptions
EU ELV Directive 2000/53/EC	Compliant with Exemptions
China RoHS 2 Directive MIIT Order No 32, 2016	Restricted Materials Above Threshold
EU REACH Regulation (EC) No. 1907/2006	Current ECHA Candidate List: JAN 2024 (240)



Candidate List Declared Against: JUNE 2023 (235)
 SVHC > Threshold:
 Pb (3.5% in Component)



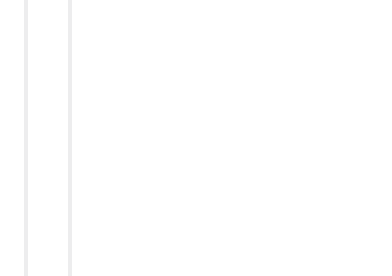
Article Safe Usage Statements:
 Do not eat, drink or smoke when using this product. Wash thoroughly after handling. Recycle if possible and dispose of the article by following all applicable governmental regulations relevant to your geographic location.

Halogen Content	Not Yet Reviewed for halogen content
Solder Process Capability	Not reviewed for solder process capability

Product Compliance Disclaimer

This information is provided based on reasonable inquiry of our suppliers and represents our current actual knowledge based on the information they provided. This information is subject to change. The part numbers that TE has identified as EU RoHS compliant have a maximum concentration of 0.1% by weight in homogenous materials for lead, hexavalent chromium, mercury, PBB, PBDE, DBP, BBP, DEHP, DIBP, and 0.01% for cadmium, or qualify for an exemption to these limits as defined in the Annexes of Directive 2011/65/EU (RoHS2). Finished electrical and electronic equipment products will be CE marked as required by Directive 2011/65/EU. Components may not be CE marked. Additionally, the part numbers that TE has identified as EU ELV compliant have a maximum concentration of 0.1% by weight in homogenous materials for lead, hexavalent chromium, and mercury, and 0.01% for cadmium, or qualify for an exemption to these limits as defined in the Annexes of Directive 2000/53/EC (ELV). Regarding the REACH Regulation, the information TE provides on SVHC in articles for this part number is based on the latest European Chemicals Agency (ECHA) 'Guidance on requirements for substances in articles' posted at this URL: <https://echa.europa.eu/guidance-documents/guidance-on-reach>

Compatible Parts

 <p>TE Part # ASA046N0085050A000 617 PLUG, SPEEDTEC</p>	 <p>TE Part # C0-0101-000-P00 CRIMPING TOOL SMALL WITH POSITIONER</p>	 <p>TE Part # C0-0235-000-P00 DIGITAL CRIMPING TOOL, SMALL</p>
--	--	--

Customers Also Bought

 <p>TE Part # 794191-1 06P MINI UMN2 CAP HSG UL94V0</p>	 <p>TE Part # AKA034N00730255000 623 EXTENSION, SPEEDTEC-READY</p>	 <p>TE Part # AKA035N00730255000 623 EXTENSION, SPEEDTEC-READY</p>	 <p>TE Part # ASA020N00390235000 623 PLUG</p>
--	---	--	--



Documents

CAD Files

[3D PDF](#)

3D

Customer View Model

[ENG_CVM_CVM_AEA047N0000051A000_A.2d_dxf.zip](#)

English

Customer View Model

[ENG_CVM_CVM_AEA047N0000051A000_A.3d_igs.zip](#)

English

Customer View Model

[ENG_CVM_CVM_AEA047N0000051A000_A.3d_stp.zip](#)

English

By downloading the CAD file I accept and agree to the [Terms and Conditions](#) of use.

Datasheets & Catalog Pages

[AEA047N0000051A000](#)

English

[fuer Datenblaetter, die online konfigurierbar sind](#)

German

[617 Einbaudose, speedtec HiWa, 12-polig AEGA047NN0000051A000 DE-EN Kuka](#)

German

Product Specifications

German