

**Style**  
M8 Plug, shielded  
6 pin  
A-coding

**Ratings**  
Voltage: 30 V  
Current: 1 A

**Operating Temperature Range**  
-40~105 °C

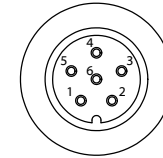
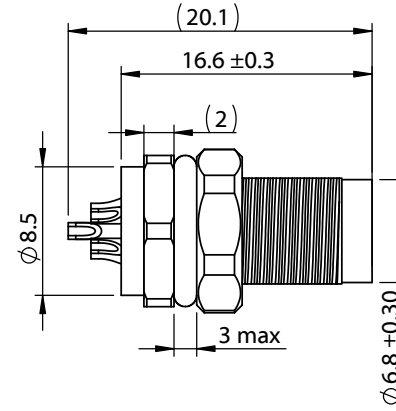
**Materials**  
① Insulator: PA66, UL 94 HB, black  
② Pin: C3604 brass, gold flashing  
③ Nut: C3604 brass, nickel plated  
④ Shell: C3604 brass, nickel plated  
⑤ O-ring: Nitrile rubber, black

**Electrical Requirements**  
Dielectric strength: 1 min @ 500 Vac  
Insulation resistance: 100 MΩ @ 500 Vdc  
Contact resistance: 10 mΩ or less

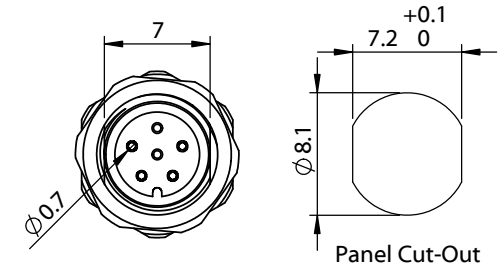
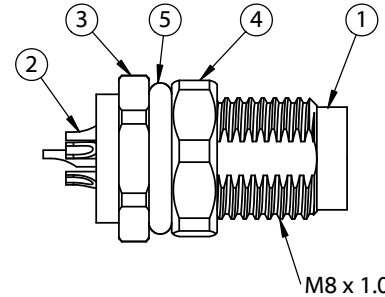
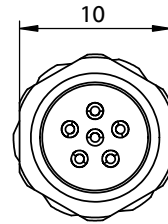
**Mechanical Requirements**  
Life cycle: 1000 mating cycles minimum

**Environmental Requirements**  
Salt spray test: 35 °C, relative humidity 90-95%, 5% NaCl mist for 24 hrs. Wash parts after test. Maintain mechanical requirements and a contact resistance of less than 10 mΩ.  
Waterproof: IP67

**Assembly Info**  
Wire gauge: 26 AWG max



Front View  
Not to Scale



Panel Cut-Out

Revision:	Date:	Description:	Prepared:	Notes:	<b>TENSILITY</b> tel 1.541.323.3228 800 877.670.7118 fax 1.541.323.4202 web tensility.com
A	1/10/2023	Initial release	Verified:	RoHS compliant Function test: no open, no short circuit, no intermittent	
			Dimensions are in millimeters. Tolerances: X: ± 0.3 mm X.X: ± 0.1 mm X.XX: ± 0.05 mm	Description: Connector, 6 pin M8 A-code plug, 8x20.1 mm, gold plated, panel mount, solder cup, IP67	Size: Part number: A 54-00324
					Scale: 2:1  Sheet 1 of 1

5

4

3

2

1