

**Style**

M12 Plug, shielded  
5 pin  
D-coding

**Ratings**

Voltage: 60 V  
Current: 4 A

**Operating Temperature Range**

-40 ~ 105 °C

**Materials**

- ① Insulator: Polyamide 66 (PA66), UL94 HB, black
- ② Pin: C3604 brass, gold plated
- ③ Shell: C3604 brass, nickel plated

**Electrical Requirements**

Dielectric strength: 1 min @ 500 Vac  
Insulation resistance: 100 MΩ @ 500 Vdc  
Contact resistance: 10 mΩ or less

**Mechanical Requirements**

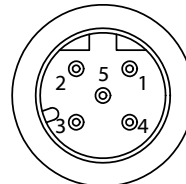
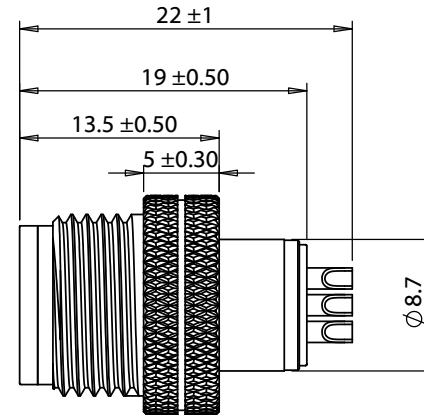
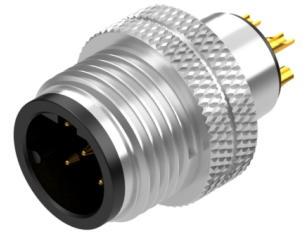
Life cycle: 500 mating cycles minimum

**Environmental Requirements**

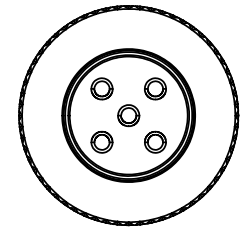
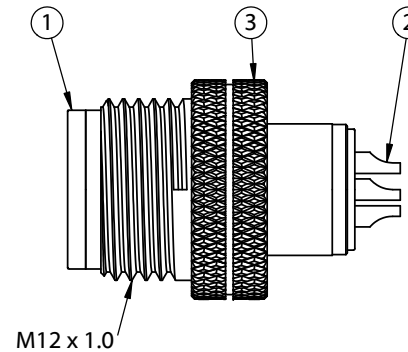
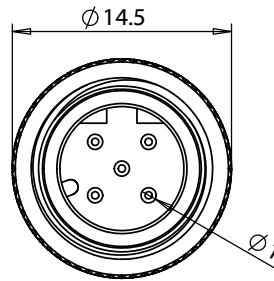
Salt spray test: 35 °C, relative humidity 90-95%, 5% NaCl mist for 48 hrs. Wash parts after test. Maintain mechanical requirements and a contact resistance of less than 10 mΩ.  
Waterproof: IP67

**Assembly Info**

Wire gauge: 22 AWG max



Front View  
Not to Scale



|           |          |                 |  |  |   |
|-----------|----------|-----------------|--|--|---|
| Revision: | Date:    | Description:    | Prepared:  | Notes:   | <b>TENSILITY</b><br>tel 1.541.323.3228 800 877.670.7118<br>fax 1.541.323.4202 web tensility.com |
| A         | 2/7/2023 | Initial release | Verified:  | RoHS compliant<br>Function test: no open, no short circuit, no intermittent  |   |
|           |          |                 | Dimensions are in millimeters.<br>Tolerances:<br>X: ± 0.3 mm<br>X.X: ± 0.1 mm<br>X.XX: ± 0.05 mm | Description:<br>Connector, 5 pin M12 D-code plug, 12xL22mm, gold plated, molding style, solder cup, IP67, shielded | Size: A<br>Part number: 50-01033  |
|           |          |                 |  |  | Scale: 2:1  Sheet 1 of 1  |