

788130-1 ACTIVE

AMP | AMP CPC

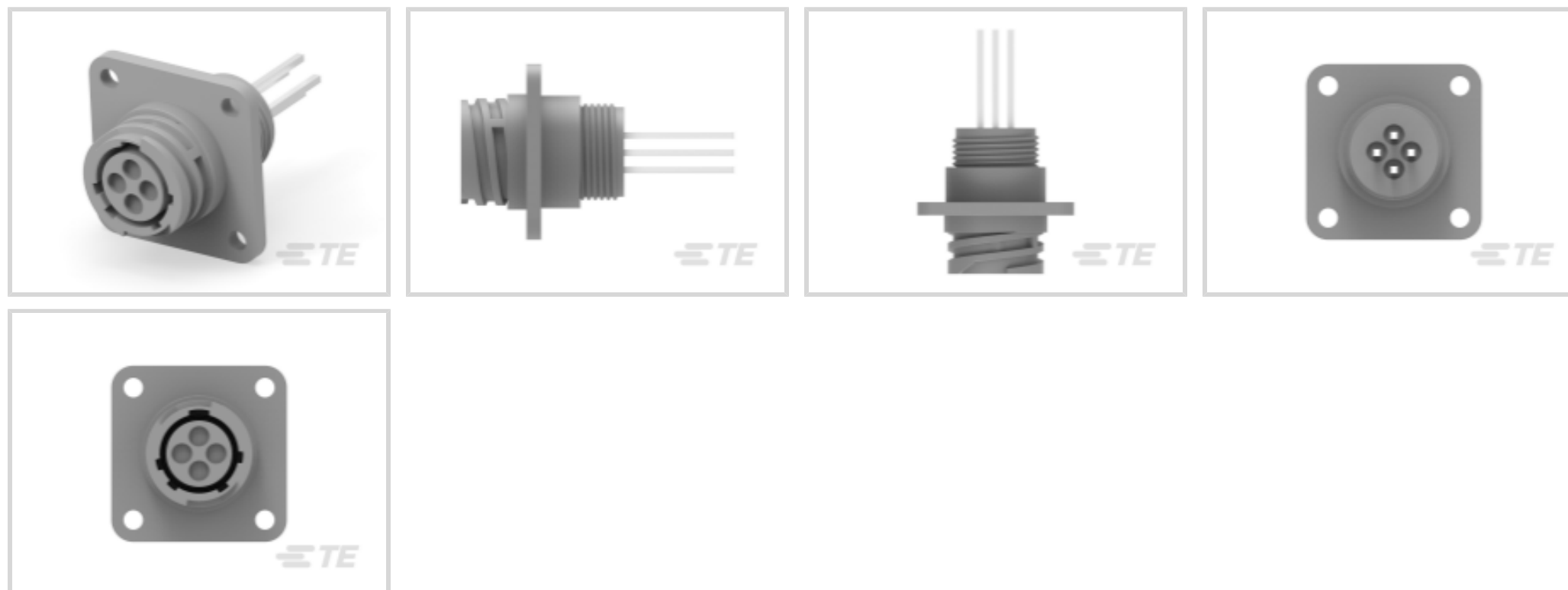
TE Internal #: 788130-1

Circular Power Connectors, Connector Assembly, 250 VDC, Wire-to-Panel / Wire-to-Board, 4 Position, Receptacle, Reverse Gender, Socket, Signal, AMP CPC

[View on TE.com >](#)



Connectors > Power Connectors > Circular Power > Circular Power Connectors



Connector Product Type: **Connector Assembly**

Operating Voltage: **250 VDC**

Connector System: **Wire-to-Board, Wire-to-Panel**

Number of Positions: **4**

Sealable: **No**

Features

Product Type Features

Connector Product Type	Connector Assembly
Connector System	Wire-to-Board, Wire-to-Panel
Sealable	No
Connector & Housing Type	Receptacle
Circular Connector Shell Type	All Plastic

Configuration Features

Number of Positions	4
Number of Power Positions	0
Number of Signal Positions	4

Electrical Characteristics

Operating Voltage	250 VAC
-------------------	---------

Contact Features

Reverse Gender	Yes
Contact Type	Socket



Termination Features

Termination Method to Printed Circuit Board	Through Hole - Solder
---	-----------------------

Mechanical Attachment

Mating Alignment Type	Keyed
Mating Alignment	With
Panel Mount Feature Type	Flange with Mounting Holes
Mating Retention Type	Threaded Coupling
Polarization Code	A
Connector Mounting Type	Panel Mount
Mating Retention	With
Panel Mount Feature	With

Housing Features

Housing Color	Gray
Housing Material	PA 6.6
Circular Connector Shell Size	11

Dimensions

Assembly Length	44.68 mm[1.759 in]
-----------------	--------------------

Usage Conditions

Operating Temperature Range	-55 - 105 °C[-67 - 221 °F]
Fluid Resistance	None

Operation/Application

Circuit Application	Signal
Shielded	No

Industry Standards

UL Flammability Rating	UL 94V-0
------------------------	----------

Packaging Features

Packaging Quantity	40
Packaging Method	Tray

Product Compliance

[For compliance documentation, visit the product page on TE.com>](#)

EU RoHS Directive 2011/65/EU	Not Compliant
EU ELV Directive 2000/53/EC	Not Compliant
China RoHS 2 Directive MIIT Order No 32, 2016	Restricted Materials Above Threshold
EU REACH Regulation (EC) No. 1907/2006	<p>Current ECHA Candidate List: JAN 2024 (240)</p> <p>Candidate List Declared Against: JAN 2024 (240)</p> <p>SVHC > Threshold: Pb (13% in Component Part)</p> <p>Article Safe Usage Statements: Do not eat, drink or smoke when using this product. Wash thoroughly after handling. Recycle if possible and dispose of the article by following all applicable governmental regulations relevant to your geographic location.</p>
Halogen Content	Not Low Halogen - contains Br or Cl > 900 ppm.
Solder Process Capability	Wave solder capable to 265°C

Product Compliance Disclaimer

This information is provided based on reasonable inquiry of our suppliers and represents our current actual knowledge based on the information they provided. This information is subject to change. The part numbers that TE has identified as EU RoHS compliant have a maximum concentration of 0.1% by weight in homogenous materials for lead, hexavalent chromium, mercury, PBB, PBDE, DBP, BBP, DEHP, DIBP, and 0.01% for cadmium, or qualify for an exemption to these limits as defined in the Annexes of Directive 2011/65/EU (RoHS2). Finished electrical and electronic equipment products will be CE marked as required by Directive 2011/65/EU. Components may not be CE marked. Additionally, the part numbers that TE has identified as EU ELV compliant have a maximum concentration of 0.1% by weight in homogenous materials for lead, hexavalent chromium, and mercury, and 0.01% for cadmium, or qualify for an exemption to these limits as defined in the Annexes of Directive 2000/53/EC (ELV). Regarding the REACH Regulation, the information TE provides on SVHC in articles for this part number is based on the latest European Chemicals Agency (ECHA) 'Guidance on requirements for substances in articles' posted at this URL: <https://echa.europa.eu/guidance-documents/guidance-on-reach>

Compatible Parts



Also in the Series | **AMP CPC**



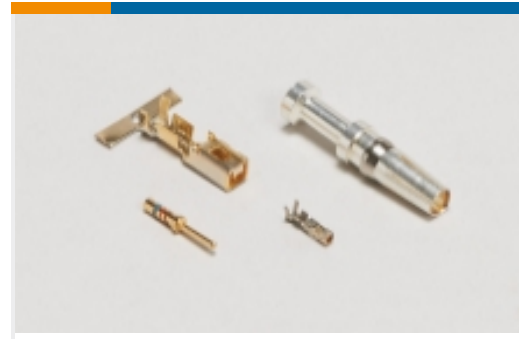
Circular Power Connectors(458)



Connector Backshells(1)



Connector Caps & Covers(19)



Connector Contacts(6)



Connector Hardware(12)



Connector Seals & Cavity Plugs(36)



Connector Strain Relief(60)

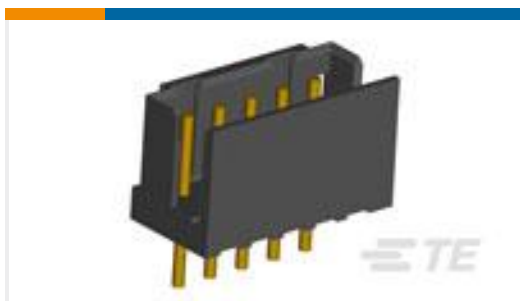


Insertion & Extraction Tools(1)



Sealing Sleeves(2)

Customers Also Bought



TE Part # 292133-8
CT P/HDR ASSY BOX V 8P W/O KIN



TE Part # 8-35112-1
TERMINAL,PIDG R 12-10 3/8



TE Part # 1-1623726-0
SBCH 6 1R0 5%



TE Part # 7-1879336-3
CPF 0603 1K3 1% 50PPM 1K RL



TE Part # 1-1879211-7
CPF 0402 2K49 0.1% 25PPM 5K RL



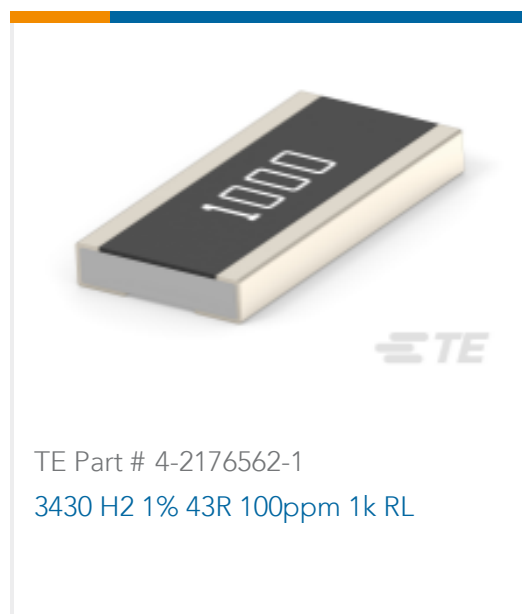
TE Part # 3-2176307-6
RP 1E 0.1W 28K7 0.1% 25PPM 5K RL



TE Part # EC0216-000
05811903



TE Part # 1SNK508421R0000
ZS10-SF-R1



Documents

Product Drawings

[CPC RCPT,POSTED,SZ 11-4](#)

English

CAD Files

Customer View Model

[ENG_CVM_788130-1_A.2d_dxf.zip](#)

English

Customer View Model

[ENG_CVM_788130-1_A.3d_igs.zip](#)

English

Customer View Model

[ENG_CVM_788130-1_A.3d_stp.zip](#)

English

[3D PDF](#)

English

[3D PDF](#)

3D

Customer View Model

[ENG_CVM_CVM_788130-1_C.2d_dxf.zip](#)

English

Customer View Model

[ENG_CVM_CVM_788130-1_C.3d_igs.zip](#)

English

Customer View Model

[ENG_CVM_CVM_788130-1_C.3d_stp.zip](#)

English

By downloading the CAD file I accept and agree to the [Terms and Conditions](#) of use.

Product Specifications

[Application Specification](#)

English