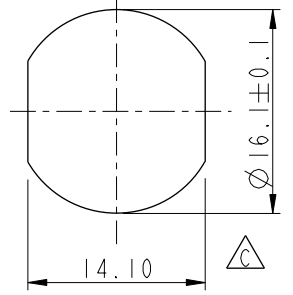
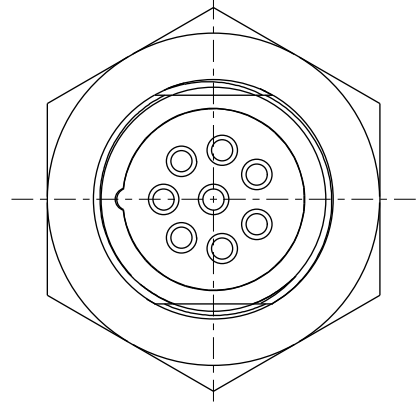
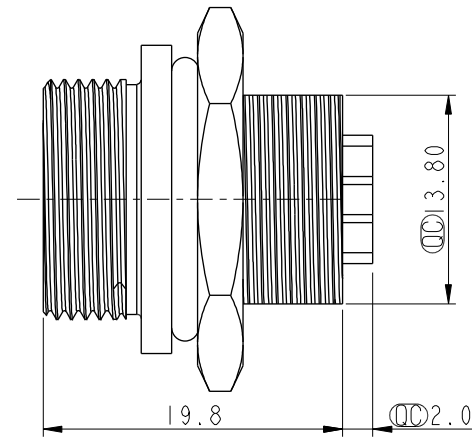
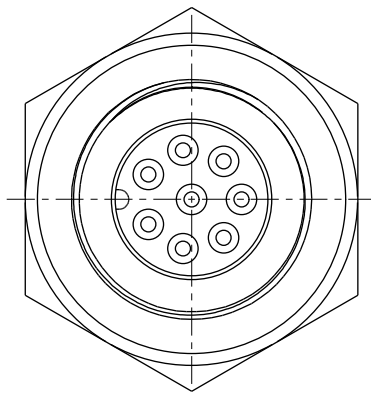


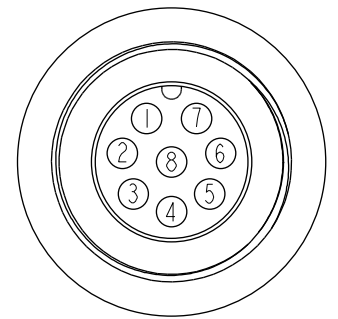
THIS DOCUMENT IS SUBJECT TO CHANGE WITHOUT NOTICE. IT IS CONFIDENTIAL AND A PROPERTY OF Amphenol LTW. DISCLOSURE TO THIRD PARTY HAS TO BE AUTHORIZED BY Amphenol LTW.

REV.	ECN NO.	DATE	SIGN	DESCRIPTION
B	LEN17C0080	2017-11-22	Brady	Change Liquid Glue Color
C	LEN1830025	2018-02-28	Wen	Correct Panel Cut
D	CI90269	2019/03/06	Ruru	Modify Note

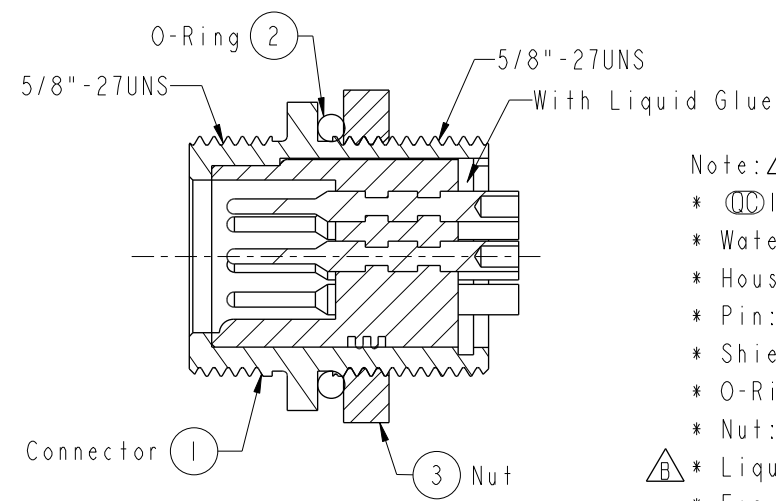
**ALTW**  
**CONFIDENTIAL**  
 2019-03-06  
**R&D DEPT.**



Recommended Panel Cut-Out



Pin Assignments  
Front View 前視圖



- Note:  $\triangle$
- \*  $\text{DD}$  Important Dimension
  - \* Waterproof Rate: IP67, Unmated
  - \* Housing: Thermoplastic, Black
  - \* Pin: Copper Alloy, Gold Plated
  - \* Shielded: Metal, Nickel Plated
  - \* O-Ring: Rubber, Black
  - \* Nut: Metal, Nickel Plated
  - \*  $\triangle$  Liquid Glue: Transparent
  - \* For Panel Thickness Max 7.0mm
  - \* Nut are packed separately in PE bags.

UNIT:mm		
TOLERANCE	.X ±0.25	
.XX	±0.1	
.XXX	±0.05	
ANGLES	±1°	

TITLE Circular, Panel Screw 8Pin Male Connector Male Pin(5A)			
SCALE	SIZE	SHEET	OF
2:1	A4	1	1
REV.	WC-REV.	$\text{CC}$ : Inspection item	
D	A.2		

**Amphenol LTW**  
**安費諾亮泰企業股份有限公司**

ITEM NO	BSD-08RMMS-SC7001	DRAWN BY	Ruru	DATE	2019-03-06
DWG NO	BSD-08RMMS-SC7001	CHECKED BY	Rita	DATE	2019-03-06
CUSTOMER	ALTW	APPROVED BY	Max	DATE	2019-03-06