

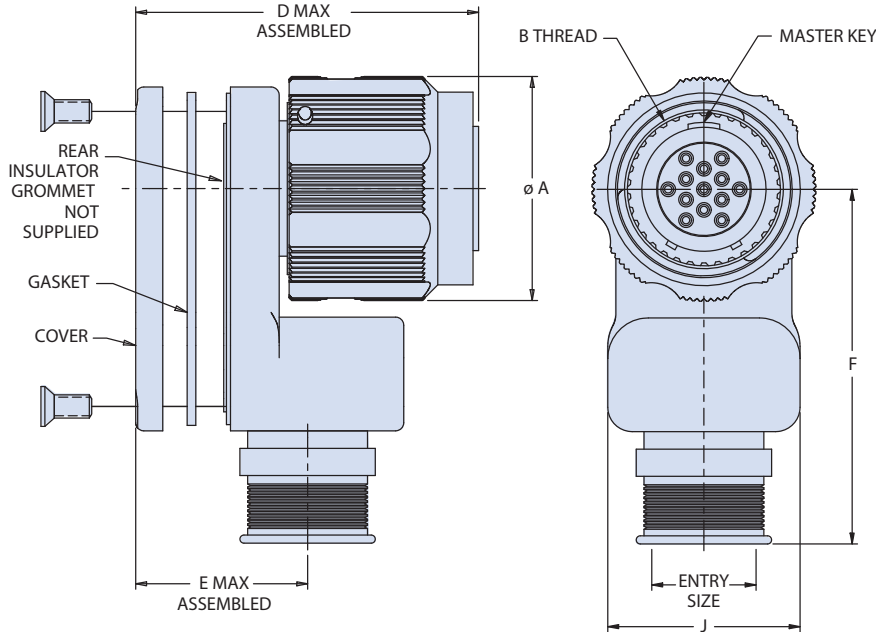
Series 805 Mighty Triple-Start ACME Thread Right Angle Plug with Integral Shell and Crimp Contacts

805-061 Dimensions



Series 805

Low profile Cobra™ right angle plug with integral backshell



NOTES

1. Contacts are size 23
2. Consult factory for additional contact arrangements and or shell orientations
3. Crimp barrel accommodate 22, 24, 26 and 28 gage wire
4. Crimp tool data:
5. Hand crimp tool: Glenair P/N 809-015
6. Positioner for hand tool: Genair P/N 809-005
7. Insertion/extraction tool: Glenair P/N 809-088
8. This connector mates with all quick coupling high density plug connectors with same polarization and opposite contact gender 805-003, 805-004
9. Rear insulator grommet not supplied
10. See Table IV for wire bend radius restrictions

Dimensions									
Shell Size	Ø A	B Thread	D	E	F	G	H	J	Max Entry
8	.65 (15.7)	.5000-.1P-.3L-TS-2B	1.02 (25.9)	.34 (8.6)	1.24 (31.5)	1.76 (44.7)	1.62 (41.1)	.560 (14.22)	04
9	.79 (20.1)	.5625-.1P-.3L-TS-2B	1.03 (26.2)	.39 (9.9)	1.28 (32.5)	1.77 (45.0)	1.63 (41.4)	.650 (16.51)	05
10	.83 (21.1)	.6250-.1P-.3L-TS-2B	1.05 (26.7)	.42 (10.7)	1.31 (33.3)	1.79 (45.5)	1.65 (41.9)	.710 (18.03)	06
11	.92 (23.4)	.6875-.1P-.3L-TS-2B	1.08 (27.4)	.45 (11.4)	1.34 (34.0)	1.82 (46.2)	1.68 (42.7)	.770 (19.56)	07
12	.98 (24.9)	.7500-.1P-.3L-TS-2B	1.11 (28.2)	.48 (12.2)	1.37 (34.8)	1.85 (47.0)	1.71 (43.4)	.835 (21.21)	08
13	1.05 (26.7)	.8125-.1P-.3L-TS-2B	1.14 (29.0)	.50 (12.7)	1.43 (36.3)	1.88 (47.8)	1.74 (44.2)	.900 (22.86)	09
15	1.10 (27.9)	.9375-.1P-.3L-TS-2B	1.17 (29.7)	.52 (13.2)	1.48 (37.6)	1.91 (48.5)	1.77 (45.0)	.950 (24.13)	10
18	1.29 (32.8)	1.1250-.1P-.3L-TS-2B	1.25 (31.8)	.58 (14.7)	1.64 (41.7)	1.99 (50.5)	1.85 (47.0)	1.070 (27.18)	12
19	1.31 (33.3)	1.1875-.1P-.3L-TS-2B	1.32 (33.5)	.63 (16.0)	1.78 (45.2)	2.06 (52.3)	1.92 (48.8)	1.180 (29.97)	13
21	1.45 (36.8)	1.3125-.1P-.3L-TS-2B	1.44 (36.6)	.70 (17.8)	1.89 (48.0)	2.18 (55.4)	2.04 (51.8)	1.300 (33.02)	15
23	1.56 (39.6)	1.4375-.1P-.3L-TS-2B	1.55 (39.4)	.76 (19.3)	1.98 (50.3)	2.30 (58.4)	2.16 (54.9)	1.410 (35.81)	17

Material and Finish

- Plug barrel, coupling nut, housing, cover: aluminum alloy or SST / see how to order table
- Insulator: LCP / N.A.
- Interfacial seal, gasket: fluorosilicone / N.A.
- Contact: copper alloy / gold plate per ASTM B 488, Type II, Code C, Class 1.25, over suitable underplate
- Contact retention clip: beryllium copper alloy / N.A.
- Hardware: stainless steel / passivate or black oxide
- Retaining wire: torlon / N.A.
- Detent spring, rivet: stainless steel / N.A.
- EMI ground spring: beryllium copper / electroless nickel

Dimensions in Inches (millimeters) are subject to change without notice.

Low profile Cobra™ right angle plug mating space requirements

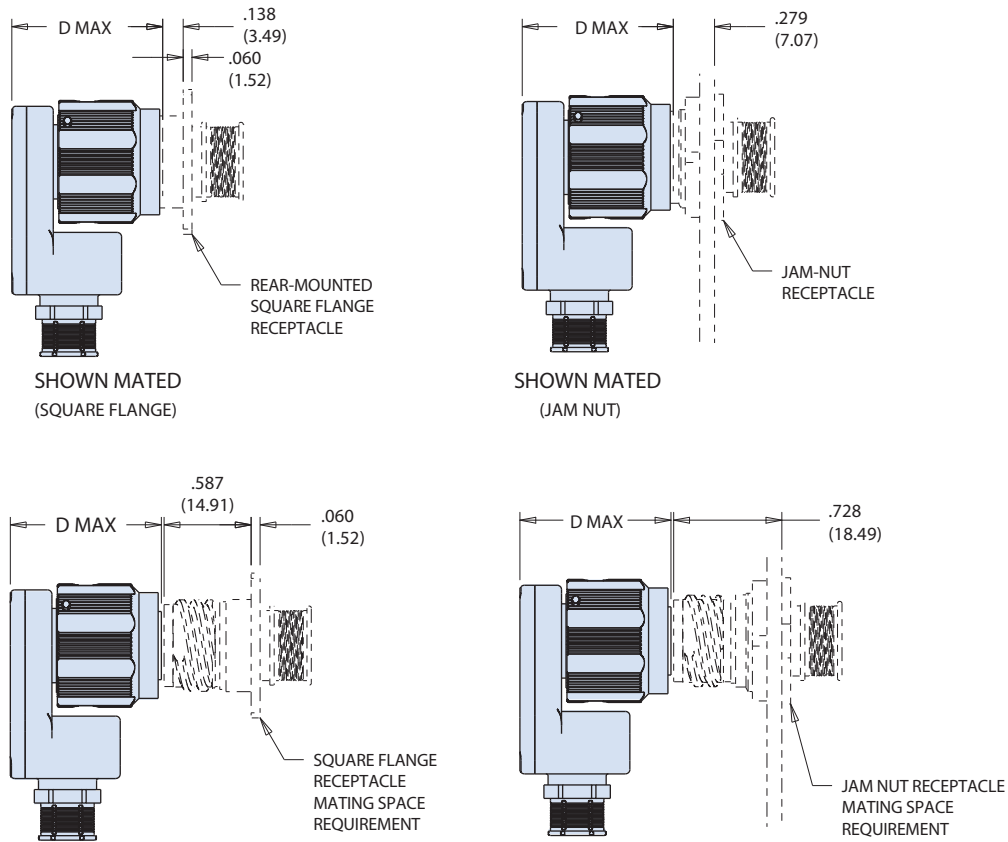


Table IV: Wire Bend Radius

Wire Size	Bend Radius
30 AWG	10x max
28 AWG	10x max
26 AWG	10x max
24 AWG	10x max
22 AWG	8x max
20 AWG	7x max
18 AWG	6x max
16 AWG	5x max
14 AWG	4x max
12 AWG	4x max

Dimensions in Inches (millimeters) are subject to change without notice.