

CUSTOMER PRINT

PART NUMBER: W8382-XSG-P-3XX

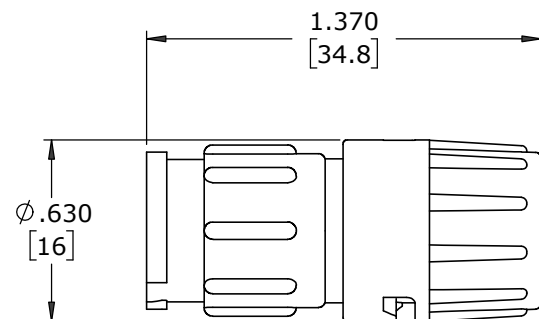
- NOTES:
1. ALL PARTS TO BE BULK PACKED
 2. CONTACTS ASSEMBLED INTO CONNECTOR
 3. ALL DIMENSIONS ARE REFERENCE EXCEPT THOSE WITH A TOLERANCE

ASS'Y P/N	CABLE O.D.
W8382-XSG-P-3DC	DAISY CHAIN
W8382-XSG-P-311	.09-.14 [2.3-3.5]
W8382-XSG-P-315	.15-.17 [3.8-4.3]
W8382-XSG-P-318	.18-.20 [4.6-5.1]
W8382-XSG-P-321	.21-.23 [5.3-5.8]

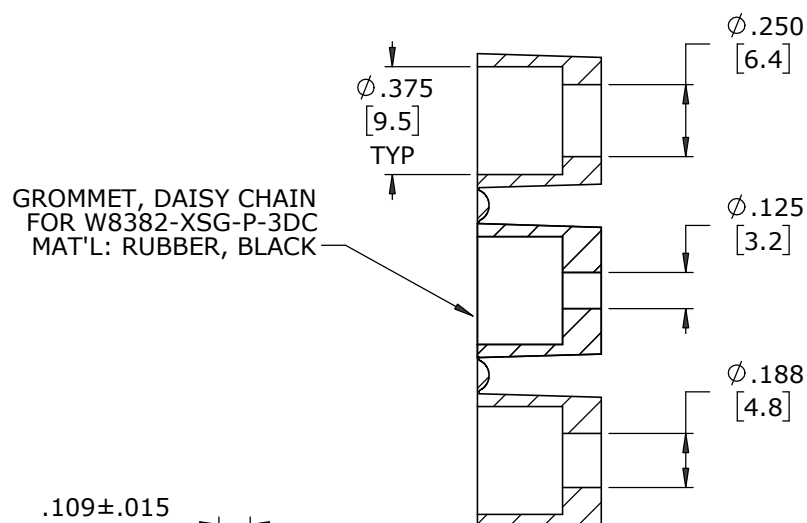
ASS'Y P/N	NO. OF CONTACTS
W8382-2SG-P-3XX	(2) #16
W8382-3SG-P-3XX	(3) #16
W8382-4SG-P-3XX	(4) #16
W8382-XSG-P-3XX	

GROMMET SIZE

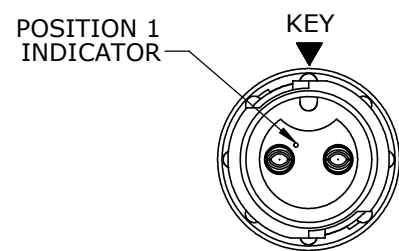
NUMBER OF CONTACTS



SHOWN ASSEMBLED
FOR CUSTOMER REFERENCE ONLY

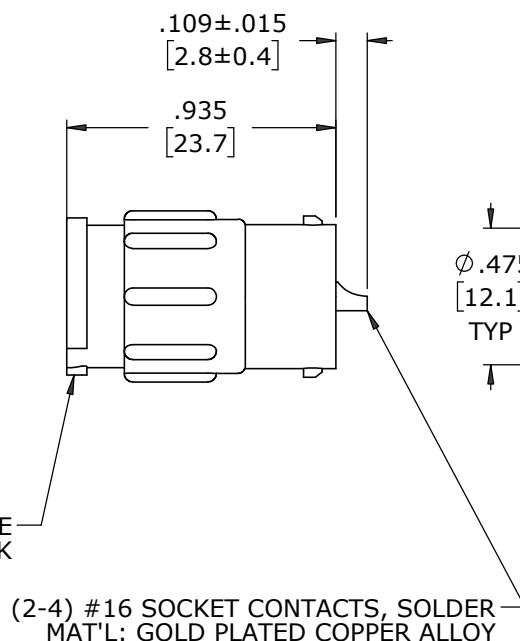


GROMMET, DAISY CHAIN
FOR W8382-XSG-P-3DC
MAT'L: RUBBER, BLACK



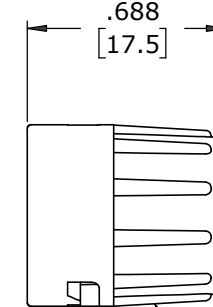
FACE VIEW
W8382-2SG-P-3XX

IN-LINE CONNECTOR, FEMALE
MAT'L: UV PBT, BLACK

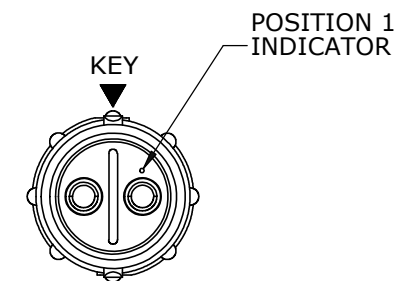


0.475 [12.1] TYP

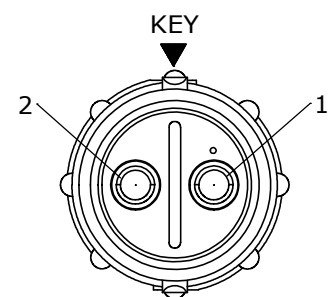
GROMMET
MAT'L: SANTOPRENE, BLACK



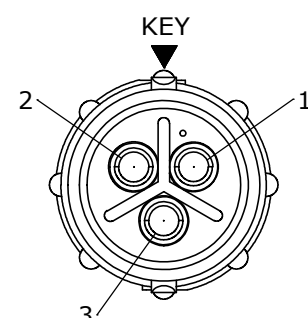
BACKSHELL
MAT'L: UV PBT, BLACK



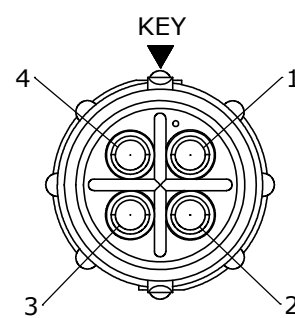
WIRE VIEW
W8382-2SG-P-3XX



WIRE VIEW
W8382-2SG-P-3XX



WIRE VIEW
W8382-3SG-P-3XX



WIRE VIEW
W8382-4SG-P-3XX

DIMENSIONS IN BRACKETS [] ARE IN MILLIMETERS UNLESS INDICATED

CUSTOMER APPROVAL

THIS DOCUMENT CONTAINS CONFIDENTIAL INFORMATION PROPRIETARY TO CONXALL CORPORATION. ANY REPRODUCTION, DISCLOSURE, OR USE OF THIS DOCUMENT /INFORMATION IS EXPRESSLY PROHIBITED UNLESS AUTHORIZED IN WRITING BY CONXALL CORPORATION.

APPROVED BY: _____
DATE: _____

RoHS COMPLIANT

A	MA	07-14-20	DRAWING CREATED PER PDR 16014-10
REV.	INIT.	DATE	DESCRIPTION
	MA	07-14-20	ORIG. DRAWN BY: DATE: MA 07-14-20
ALL INFORMATION ILLUSTRATED IS THE PROPERTY OF "CONXALL CORPORATION". UNAUTHORIZED DUPLICATION OR DISTRIBUTION OF THIS DOCUMENT IS PROHIBITED.			<p>601 E. WILDWOOD VILLA PARK, IL 60181</p>
ALL UNITS ARE IN FEET, INCHES, FRACTION OF INCHES AND DECIMALS.			
APPROVED BY:		TITLE:	
SCALE: NTS		IN-LINE CONNECTOR ASS'Y (2-4) #16 SOCKET CONTACTS, SOLDER INSTA-CLICK™ MINI-CON-X STANDARD PRODUCT	
FILE: W8382-XSG-P-3XX	DIRECTORY: SLW	PART NUMBER: W8382-XSG-P-3XX	REV A