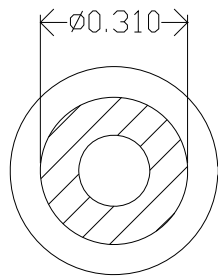
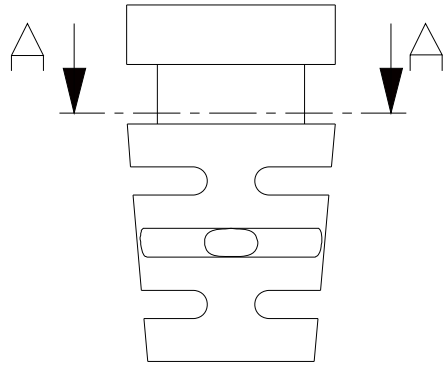
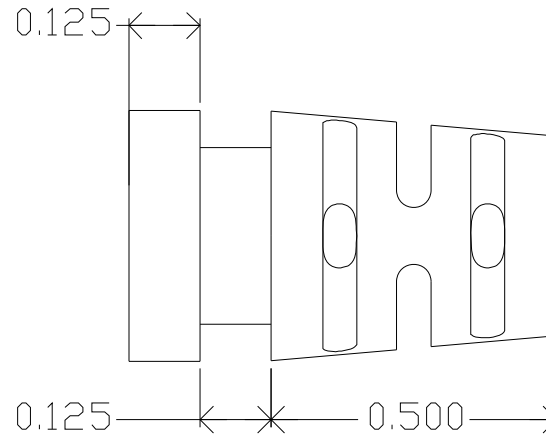
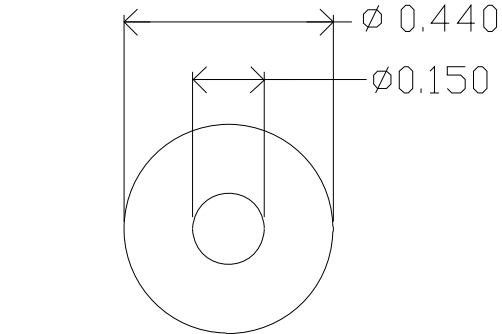
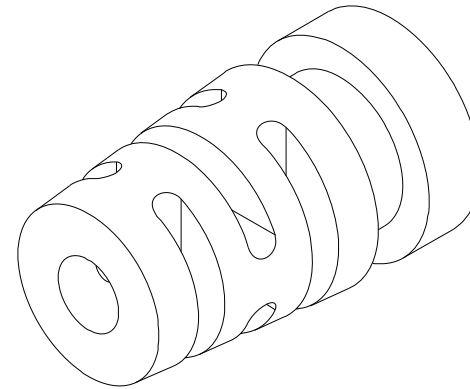


ZONE		REVISIONS	DATE	APPROVED
REV.	DESCRIPTION			



A-A



MOLD MATERIAL: ISC P/N: 5000214, PVC,M1472, BLK, ROHS

Dimensions are subject to change.  
 PROPRIETARY AND CONFIDENTIAL  
 THE INFORMATION CONTAINED IN THIS DRAWING IS THE SOLE PROPERTY OF ISC ENGINEERING. ANY REPRODUCTION IN PART OR AS A WHOLE WITHOUT THE WRITTEN PERMISSION OF ISC ENGINEERING IS PROHIBITED.

		DIMENSIONS ARE IN INCHES		NAME	DATE	ISC Engineering 4351 Schaefer Ave, Chino, CA 91710 Ph: 909-596-3315 Fax: 909-596-3335 www.iscengineering.com
		TOLERANCES:		DRAWN	11/21/03	
		FRACTIONAL $\pm$		CHECKED		www.overmoldtooling.com
		ANGULAR: MACH $\pm$ BEND $\pm$		ENG APPR		
		TWO PLACE DECIMAL $\pm$		MFG APPR		1461080-150-E-310-440-0
		THREE PLACE DECIMAL $\pm$		Q.A.		
		MATERIAL --		COMMENTS:		SIZE DWG. NO. 1467097 REV. A
		FINISH --				
		NEXT ASSY USED ON				SCALE:5:1 WEIGHT: SHEET 1 OF 1
		APPLICATION		DO NOT SCALE DRAWING		