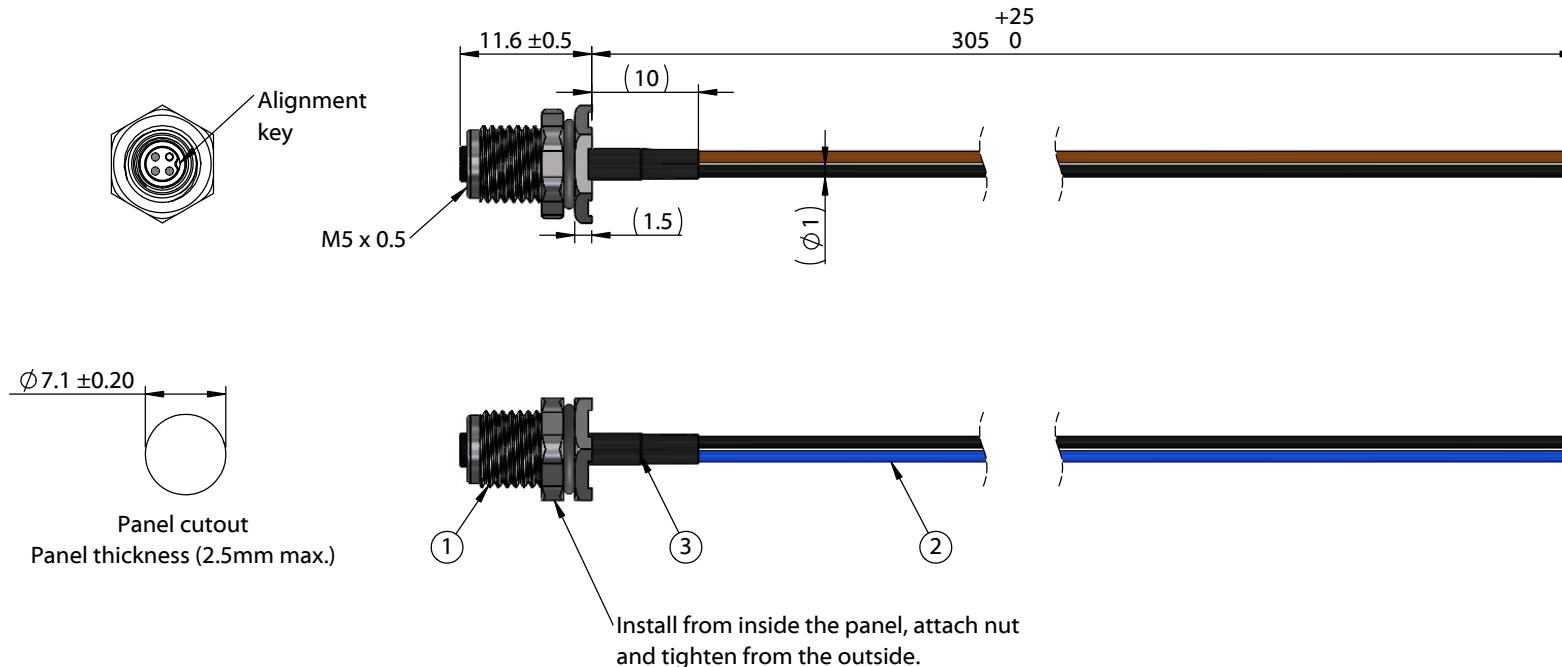


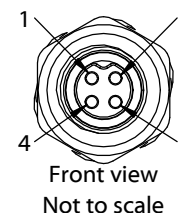
ITEM NO.	PART NUMBER	DESCRIPTION	QTY.	COMPONENT NOTES
1	54-00107	Connector, 4 pin M5 socket, 5xL13.7mm, gold plated, panel mount, solder cup, IP67	1	nut and o-ring included
2	Wire	Wire, hook-up, TS, 26 AWG, UL 11028, 600V, 105C, 1 mm, mPPE	4	color: brown, white, blue, black
3	Heat shrink	Heat shrink, UL, black	4	covers solder joints



Notes:
 Cable rated for 60 V, 1 A
 Temperature: -40 ~ 85 °C

IP67 waterproof rating when mated with corresponding (IP67) connector and installed properly in panel

Cables individually packaged in PE bag
 Functionally equivalent components may be substituted



Wiring Diagram	
54-00107	wire color (P/N)
1	brown (30-01781)
2	white (30-01774)
3	blue (30-01776)
4	black (30-01773)

Revision:	Date:	Description:	Prepared:	Notes: RoHS compliant Function test: no open, no short circuit, no intermittent
A	11/14/2022	Initial release	Verified:	
			Dimensions are in millimeters. Tolerances: X: ± 0.5 mm X.X: ± 0.3 mm X.XX: ± 0.05 mm	Description: Cable, 305 mm, M5 4C socket panel mount 54-00107 to blunt cut, 26 AWG, UL 11028 hook-up wire

TENSILITY

tel 1.541.323.3228 800 877.670.7118
 fax 1.541.323.4202 web tensility.com

Size: A Part number: 10-05280

Scale: 1.5:1 Sheet 1 of 1