

2387118-2 ✓ ACTIVE

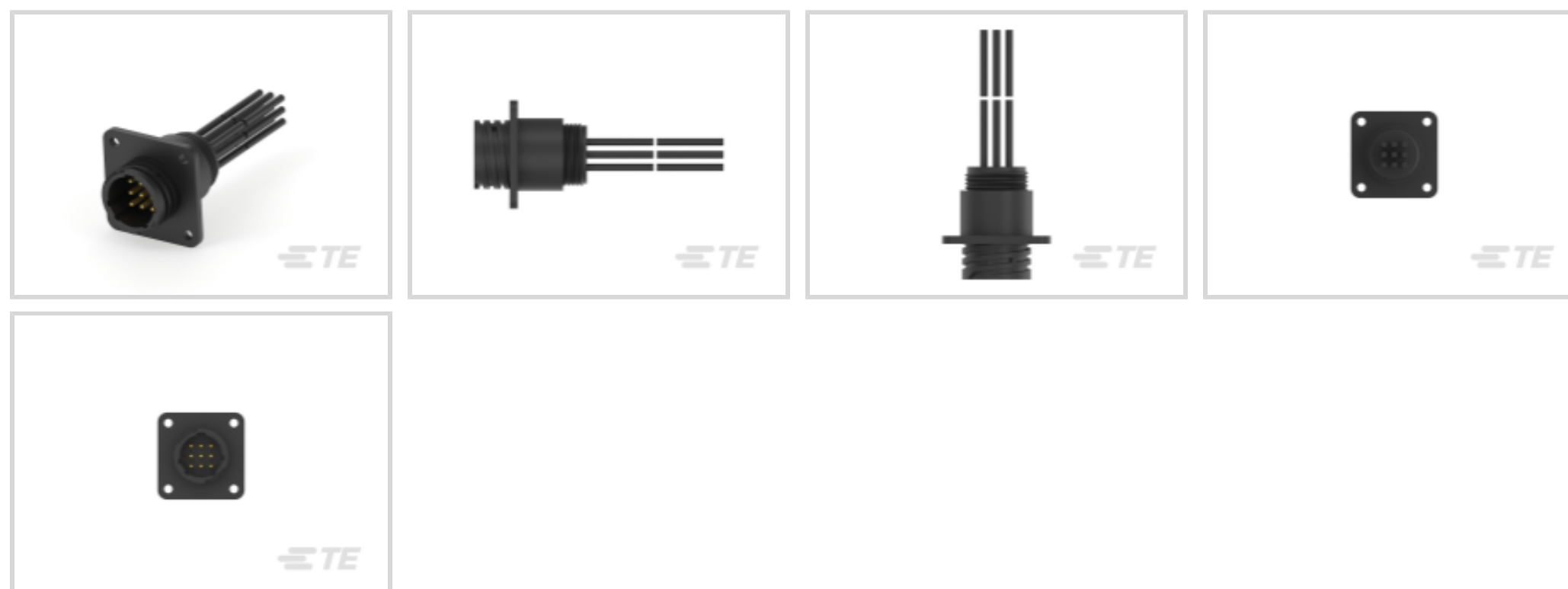
TE Internal #: 2387118-2

CPC Pigtail Cable Assembly, 1 m, 18 AWG, CPC Receptacle,
Industry Standard, 9 Power Positions, 9 Signal Positions

[View on TE.com >](#)



Cable Assemblies > Copper Cable Assemblies > Internal I/O Cable Assemblies



Cable Assembly Type: **CPC Pigtail**

Connector Type (End A): **CPC Receptacle**

Cable Assembly Category: **Industry Standard**

Number of Power Positions: **9**

Number of Signal Positions: **9**

Features

Product Type Features

Cable Assembly Type	CPC Pigtail
Connector Type (End A)	CPC Receptacle
Cable Assembly Category	Industry Standard

Configuration Features

Number of Power Positions	9
Number of Signal Positions	9

Dimensions

Wire Size	18 AWG
-----------	--------

Other

Cable Assembly Configuration	Single Ended
Cable Assembly Length	1 m

Product Compliance

[For compliance documentation, visit the product page on TE.com>](#)

EU RoHS Directive 2011/65/EU	Compliant
------------------------------	-----------



EU ELV Directive 2000/53/EC	Compliant
China RoHS 2 Directive MIIT Order No 32, 2016	No Restricted Materials Above Threshold
EU REACH Regulation (EC) No. 1907/2006	Current ECHA Candidate List: JAN 2024 (240) Candidate List Declared Against: JAN 2022 (223) Does not contain REACH SVHC
Halogen Content	Not Low Halogen - contains Br or Cl > 900 ppm.
Solder Process Capability	Not reviewed for solder process capability

Product Compliance Disclaimer

This information is provided based on reasonable inquiry of our suppliers and represents our current actual knowledge based on the information they provided. This information is subject to change. The part numbers that TE has identified as EU RoHS compliant have a maximum concentration of 0.1% by weight in homogenous materials for lead, hexavalent chromium, mercury, PBB, PBDE, DBP, BBP, DEHP, DIBP, and 0.01% for cadmium, or qualify for an exemption to these limits as defined in the Annexes of Directive 2011/65/EU (RoHS2). Finished electrical and electronic equipment products will be CE marked as required by Directive 2011/65/EU. Components may not be CE marked. Additionally, the part numbers that TE has identified as EU ELV compliant have a maximum concentration of 0.1% by weight in homogenous materials for lead, hexavalent chromium, and mercury, and 0.01% for cadmium, or qualify for an exemption to these limits as defined in the Annexes of Directive 2000/53/EC (ELV). Regarding the REACH Regulation, the information TE provides on SVHC in articles for this part number is based on the latest European Chemicals Agency (ECHA) 'Guidance on requirements for substances in articles' posted at this URL: <https://echa.europa.eu/guidance-documents/guidance-on-reach>

Compatible Parts



TE Part # 206708-1
CPC PLUG ASSEMBLY SIZE 13-9

Customers Also Bought



TE Part #206708-1
CPC PLUG ASSEMBLY SIZE 13-9



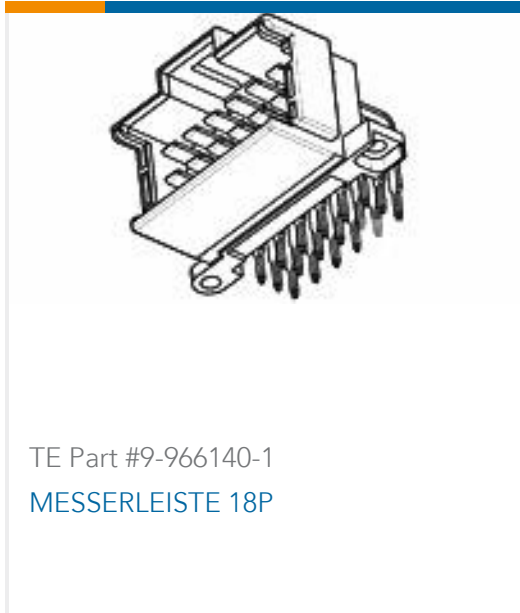
TE Part #1-1622820-8
3520 1R0 5%



TE Part #86557-6
FFC PIN ROUND WIRE PLATED



TE Part #2-487406-3
FFC,RCPT CONTACT,STD PRESSURE



Documents

Product Drawings

[FL RPT CONN CA,STD,SER 1,SZ 13-9,LG 1M](#)

English

CAD Files

Customer View Model

[ENG_CVM_CVM_2387118-2_B.3d_igs.zip](#)

English

Customer View Model

[ENG_CVM_CVM_2387118-2_B.3d_stp.zip](#)

English

Customer View Model

[ENG_CVM_CVM_2387118-2_B.2d_dxf.zip](#)

English

3D PDF

3D

By downloading the CAD file I accept and agree to the [Terms and Conditions](#) of use.

Datasheets & Catalog Pages

[Circular Plastic Connectors Standard Cable Assemblies](#)

English

Agency Approvals

[UL Report](#)

English