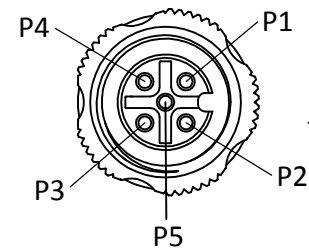
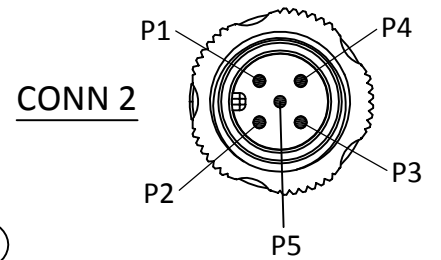
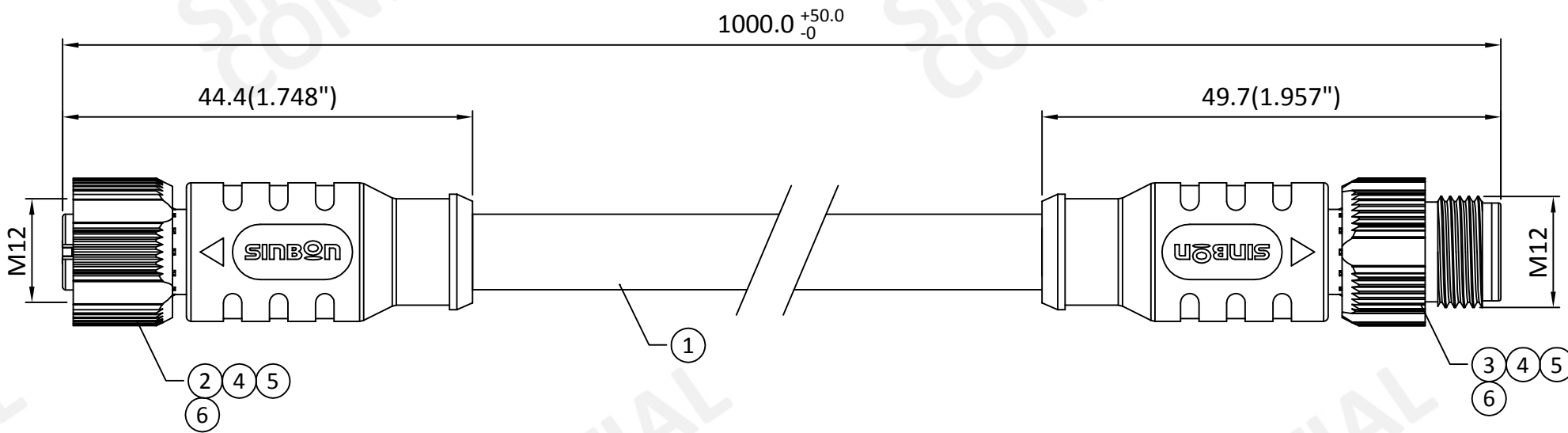


1	2	3	4	5	6	7	8
MOLD TYPE	MOLD NO.	ITEM		REV.	ECN NO.	DATE	DESCRIPTION
CONN. OVERMOLD	CPO0220	4,5		01		Sep/03/2020	RELEASED
CONN. COVER	PPO0239	6					

1	2	3	4	5	6	7	8
MOLD TYPE	MOLD NO.	ITEM		REV.	ECN NO.	DATE	DESCRIPTION
CONN. OVERMOLD	CPO0220	4,5		01		Sep/03/2020	RELEASED
CONN. COVER	PPO0239	6					



CONN 1



CONN 2

WIRE RUN LIST			
AWG	CONN 1	COLOR	CONN 2
24	1	BROWN	1
	2	WHITE	2
	3	BLUE	3
	4	BLACK	4
	5	GRAY	5

NOTES:

- TESTING SPEC.:
COND. RESISTANCE: 3Ω MAX.
INSUL. RESISTANCE: 10MΩ MIN.
TESTING VOLTAGE: 300V DC
- IP67 WHEN MATED.
- FOLLOW IPC620 CLASS II STANDARD TO ASSEMBLY AND INSPECTION.
- RoHS COMPLIANCE.

6.	A/R	PE,TRANS-CLEAR,PE101(A50800001002SD)
5.	A/R	TPU, SHORE A 78, NATURAL, HF (A51100057001SD)
4.	A/R	PLASTIC MASTERBATCH,BLACK,FOR TPU(A51700027001SD)
3.	1	I/O CONN., MALE, 5P (A30510637001SD)
2.	1	I/O CONN., FEMALE, 5P (A30510638001SD)
1.	A/R	CABLE, UL20549, #24*5C+AEB, OD=5.2 (HT1702266)
ITEM	QTY	DESCRIPTION

THIS DRAWING CONTAINS CONFIDENTIAL INFORMATION AND IS THE PROPERTY OF SINBON ELECTRONICS CO., LTD. IT MAY NOT BE USED OR ITS CONTENTS COPIED OR DISCLOSED TO A THIRD PARTY WITHOUT PRIOR WRITTEN CONSENT AND IS TO BE RETURNED PROMPTLY UPON REQUEST BY SINBON ELECTRONICS CO., LTD.

CUSTOMER : DigiKey		SINBON SINBON Electronics Co., Ltd.	
CUSTOMER P/N : N/A		REV. : N/A	DESCRIPTION : 5P female-male anti-vibe IP67, 1M
UNLESS OTHERWISE SPECIFIED TOLERANCE :		DRA. : Aine Li Sep/03/2020	PART NUMBER : M12A-05CFSMS-UL24N10
1 ~ 10 : ±1		CHK. : Kevin Qiu Sep/03/2020	REV. : 01
11 ~ 30 : ±2		APR. : Kevin Qiu Sep/03/2020	SIZE : A3
31 ~ 50 : ±3			UNIT : mm
51 ~ 200 : ±5			SCALE : NONE
201 ~ 400 : ±7			SHEET : 1 of 1
> 401 : ±10			
ANGLES : ±1°			