

SAC-5P-M12MSL/0,3-280/FSL FE - Power cable



1425009

<https://www.phoenixcontact.com/us/products/1425009>

Please be informed that the data shown in this PDF document is generated from our online catalog. Please find the complete data in the user documentation. Our general terms of use for downloads are valid.



Power cable, 5-position, PUR halogen-free, gray RAL 7001, Plug straight M12, coding: L, on Socket straight M12, coding: L, cable length: 0.3 m, for direct current up to 16 A/63 V

Your advantages

- Easy and safe: 100 % electrically tested plug-in components
- Protection against mismatching, thanks to special L-coding
- Our standard: robust halogen-free PUR cable

Commercial data

Item number	1425009
Packing unit	1 pc
Minimum order quantity	1 pc
Sales key	BF05
Product key	BF1CDP
Catalog page	Page 294 (C-2-2019)
GTIN	4055626382869
Weight per piece (including packing)	99 g
Weight per piece (excluding packing)	99 g
Customs tariff number	85444290
Country of origin	US

1425009

<https://www.phoenixcontact.com/us/products/1425009>

Technical data

Product properties

Product type	Power cable
Application	Power supply
Number of positions	5
No. of cable outlets	1
Shielded	no
Coding	L

Insulation characteristics

Overvoltage category	III
Degree of pollution	3

Material specifications

Flammability rating according to UL 94	V0
Material of grip body	PP
Contact material	CuZn
Contact surface material	Ni/Au
Contact carrier material	PA
Material for screw connection	Zinc die-cast, nickel-plated

Electrical properties

Insulation resistance	$\geq 100 \text{ M}\Omega$
Nominal voltage U_N	63 V DC
Nominal current I_N	16 A

Mechanical properties

Mechanical data

Insertion/withdrawal cycles	≥ 100
-----------------------------	------------

Connector

Connection 1

Type	Plug straight M12
Coding type	L (Power)

Connection 2

Type	Socket straight M12
Coding type	L (Power)

Cable/line

Cable length	0.3 m
--------------	-------


PUR halogen-free gray [280]

SAC-5P-M12MSL/0,3-280/FSL FE - Power cable



1425009

<https://www.phoenixcontact.com/us/products/1425009>

Dimensional drawing	
Cable weight	185 kg/km
UL AWM Style	20233 / 10493 (80°C/300 V)
Number of positions	5
Shielded	no
Cable type	PUR halogen-free gray [280]
Conductor cross section	5x 2.5 mm ²
Wire diameter incl. insulation	2.85 mm ±0.1 mm
External cable diameter	9.65 mm ±0.25 mm
Outer sheath, material	PUR
External sheath, color	gray RAL 7001
Conductor material	Bare Cu litz wires
Material wire insulation	PP
Single wire, color	brown, white, blue, black, pink
Thickness, insulation	≥ 0.31 mm
Thickness, outer sheath	approx. 0.76 mm
Max. conductor resistance	≤ 8 Ω/km (at 20 °C)
Insulation resistance	≥ 1 GΩ*km (at 20 °C)
Nominal voltage, cable	≤ 300 V AC
Test voltage	≥ 3000 V AC (Spark test)
Minimum bending radius, fixed installation	5 x D
Minimum bending radius, flexible installation	10 x D
Smallest bending radius, fixed installation	49 mm
Smallest bending radius, movable installation	97 mm
Max. bending cycles	5000000
Halogen-free	in accordance with DIN VDE 0472 part 815 in accordance with DIN EN 50267-2-1
Flame resistance	According to UL 758/1581 (Cable Flame) according to UL 758/1581 FT1 According to DIN EN 60332-1-2
Resistance to oil	according to DIN EN 60811-404, 168 h at 100 °C
Other resistance	Hydrolysis and microbe resistant as per VDE 0282 section 10 Low adhesion abrasion-resistant Resistant to salt water
Ambient temperature (operation)	-50 °C ... 80 °C (cable, fixed installation) -30 °C ... 80 °C (Cable, flexible installation)

SAC-5P-M12MSL/0,3-280/FSL FE - Power cable



1425009

<https://www.phoenixcontact.com/us/products/1425009>

Environmental and real-life conditions

Ambient conditions

Degree of protection	IP65
	IP67
Ambient temperature (operation)	-25 °C ... 85 °C (Plug / socket)

Standards and regulations

Standard designation	M12 connector
Standards/specifications	IEC 61076-2-111

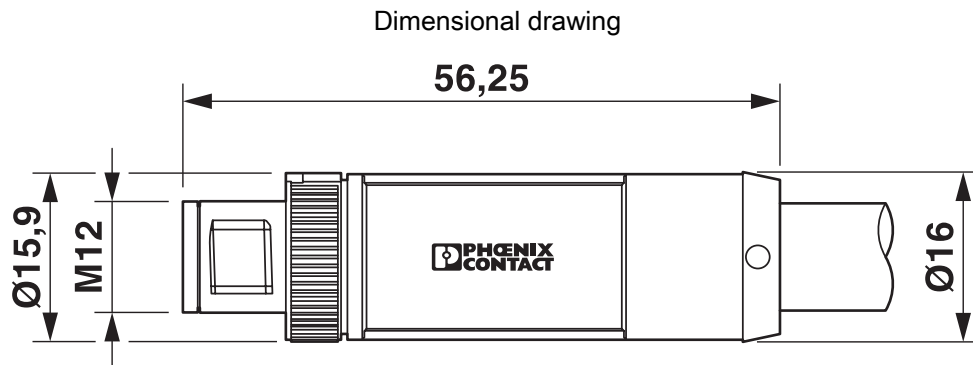
SAC-5P-M12MSL/0,3-280/FSL FE - Power cable



1425009

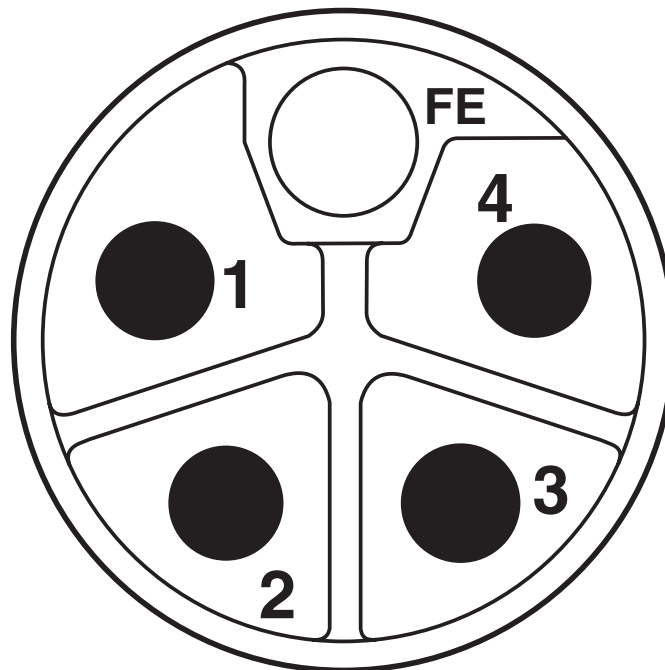
<https://www.phoenixcontact.com/us/products/1425009>

Drawings



Plug, M12 x 1, straight, shielded

Schematic diagram



Pin assignment of M12 connector, 5-pos., L-coded, pin side view

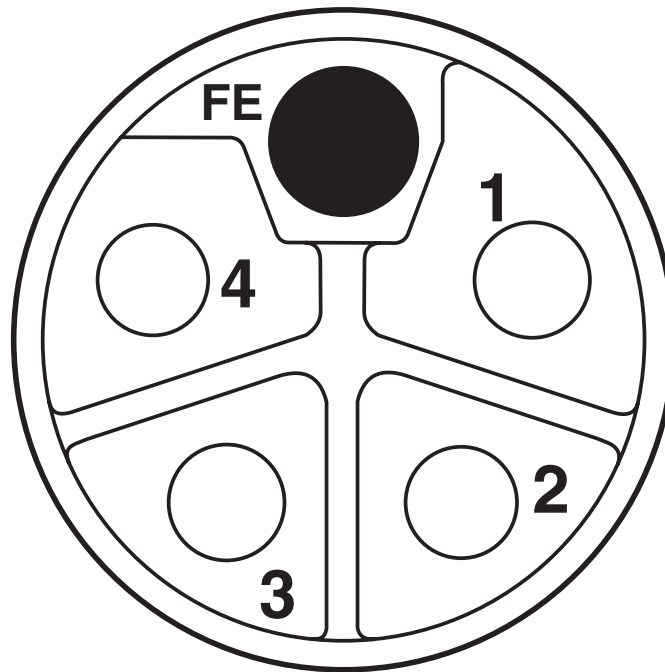
SAC-5P-M12MSL/0,3-280/FSL FE - Power cable



1425009

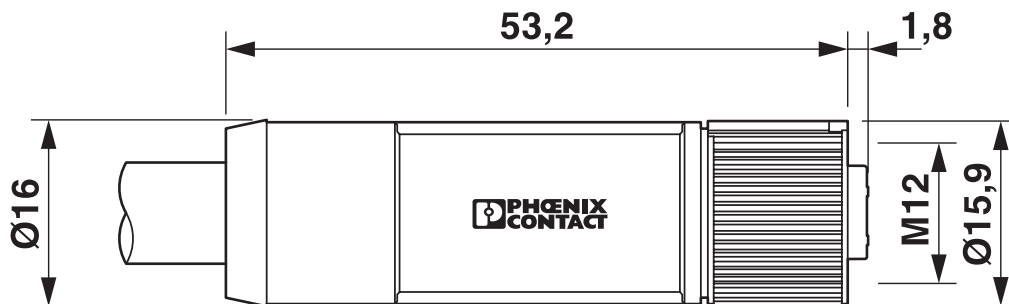
<https://www.phoenixcontact.com/us/products/1425009>

Schematic diagram



Pin assignment of M12 socket, 5-pos., L-coded, socket side view

Dimensional drawing

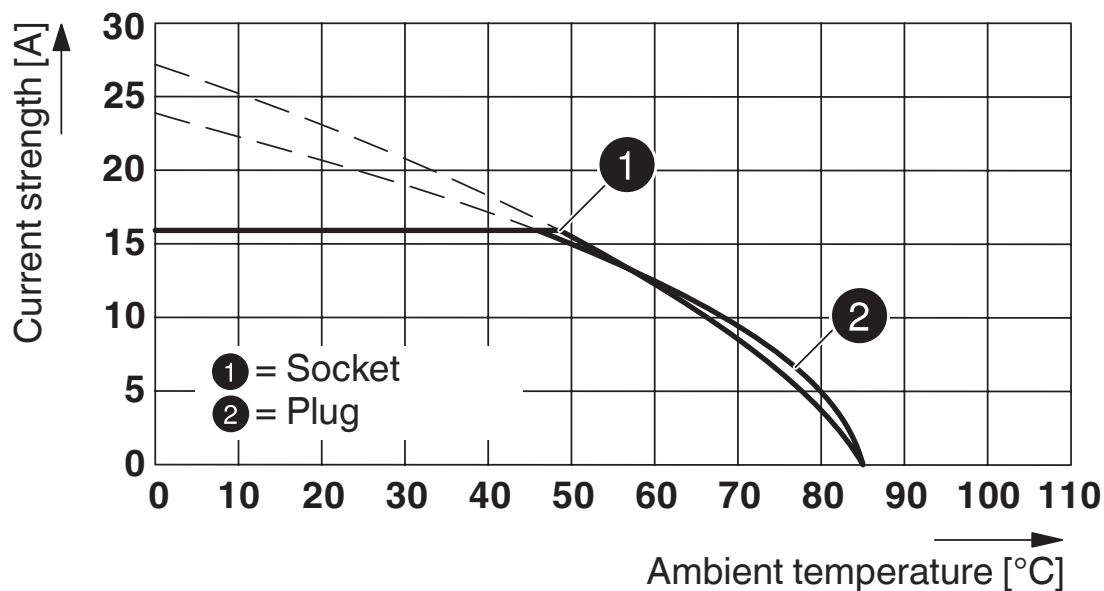


M12 x 1 socket, straight

1425009

<https://www.phoenixcontact.com/us/products/1425009>

Diagram



Base curve

Circuit diagram



SAC-5P-M12MSL/0,3-280/FSL FE - Power cable



1425009

<https://www.phoenixcontact.com/us/products/1425009>

Approvals

To download certificates, visit the product detail page: <https://www.phoenixcontact.com/us/products/1425009>



UL Listed

Approval ID: E468743



cUL Listed

Approval ID: E468743



EAC-RoHS

Approval ID: RU D-DE.HB35.B.00387

cULus Listed

SAC-5P-M12MSL/0,3-280/FSL FE - Power cable



1425009

<https://www.phoenixcontact.com/us/products/1425009>

Classifications

ECLASS

ECLASS-11.0	27060311
ECLASS-12.0	27060311
ECLASS-13.0	27060327

ETIM

ETIM 9.0	EC001855
----------	----------

UNSPSC

UNSPSC 21.0	26121600
-------------	----------

SAC-5P-M12MSL/0,3-280/FSL FE - Power cable



1425009

<https://www.phoenixcontact.com/us/products/1425009>

Environmental product compliance

EU RoHS

Fulfills EU RoHS substance requirements	Yes, No exemptions
---	--------------------

China RoHS

Environment friendly use period (EFUP)	EFUP-E
	No hazardous substances above the limits

EU REACH SVHC

REACH candidate substance (CAS No.)	No substance above 0.1 wt%
-------------------------------------	----------------------------

SAC-5P-M12MSL/0,3-280/FSL FE - Power cable



1425009

<https://www.phoenixcontact.com/us/products/1425009>

Accessories

PROT M12 MS PWR - Screw plug

1092802

<https://www.phoenixcontact.com/us/products/1092802>



An M12 screw plug for the unoccupied M12 females of the M12 POWER connectors, boxes, and flush-type connectors

UCT-WMT (23X4) - Conductor marker

0801453

<https://www.phoenixcontact.com/us/products/0801453>



Conductor marker, Sheet, white, unlabeled, can be labeled with: TOPMARK NEO, TOPMARK LASER, BLUEMARK ID COLOR, BLUEMARK ID, BLUEMARK CLED, THERMOMARK PRIME, THERMOMARK CARD 2.0, THERMOMARK CARD, mounting type: insert, cable diameter range: 1.5 ... 35 mm, lettering field size: 23 x 4 mm, Number of individual labels: 30

SAC-5P-M12MSL/0,3-280/FSL FE - Power cable



1425009

<https://www.phoenixcontact.com/us/products/1425009>

UC-WMT (23X4) - Conductor marker

0819411

<https://www.phoenixcontact.com/us/products/0819411>



Conductor marker, Sheet, white, unlabeled, can be labeled with: BLUEMARK ID COLOR, BLUEMARK ID, BLUEMARK CLED, PLOTMARK, CMS-P1-PLOTTER, mounting type: insert, cable diameter range: 1.5 ... 35 mm, lettering field size: 23 x 4 mm, Number of individual labels: 24

US-WMT (23X4) - Cable marker

0828769

<https://www.phoenixcontact.com/us/products/0828769>



Cable marker, Card, white, unlabeled, can be labeled with: BLUEMARK ID COLOR, BLUEMARK ID, THERMOMARK PRIME, THERMOMARK CARD 2.0, THERMOMARK CARD, mounting type: slide-on, cable diameter range: 1.5 ... 35 mm, lettering field size: 23 x 4 mm, Number of individual labels: 56

SAC-5P-M12MSL/0,3-280/FSL FE - Power cable



1425009

<https://www.phoenixcontact.com/us/products/1425009>

WMTW (23X4)R - Cable marker

0831004

<https://www.phoenixcontact.com/us/products/0831004>



Cable marker, Roll, white, unlabeled, can be labeled with: THERMOMARK E.300 (D)/600 (D), THERMOMARK ROLL 2.0, THERMOMARK ROLL, THERMOMARK ROLL X1, THERMOMARK ROLLMASTER 300/600, THERMOMARK X1.2, mounting type: insert, cable diameter range: 1.5 ... 35 mm, lettering field size: 23 x 4 mm, Number of individual labels: 3000

PROT-M12 FS-PA-CHAIN - Sealing cap

1430873

<https://www.phoenixcontact.com/us/products/1430873>



M12 sealing cap made of plastic with fixing band, for sensor cables, for free M12 plugs

SAC-5P-M12MSL/0,3-280/FSL FE - Power cable



1425009

<https://www.phoenixcontact.com/us/products/1425009>

PROT-M12 FS - Sealing cap

1560251

<https://www.phoenixcontact.com/us/products/1560251>



M12 sealing cap for unoccupied M12 plugs of the sensor/actuator cable, flush-type plugs and I/O devices in the field

SAC BIT M12-D16 - Tool

1200305

<https://www.phoenixcontact.com/us/products/1200305>



Nut for assembling sensor/actuator cables with M12 connector and M12 connectors for assembly, knurl diameter: 16 mm, for 4 mm hexagonal drive

SAC-5P-M12MSL/0,3-280/FSL FE - Power cable



1425009

<https://www.phoenixcontact.com/us/products/1425009>

TSD 04 SAC - Torque screwdriver

1208429

<https://www.phoenixcontact.com/us/products/1208429>



Torque screwdriver, with preset torque of 0.4 Nm and 4 mm hexagonal drive for M12 connectors

TSD-M 1,2NM - Torque screwdriver

1212224

<https://www.phoenixcontact.com/us/products/1212224>



Torque screw driver, accuracy as per EN ISO 6789 standard, adjustable from 0.3 - 1.2 Nm

SAC-5P-M12MSL/0,3-280/FSL FE - Power cable

1425009

<https://www.phoenixcontact.com/us/products/1425009>



TSD-M SAC-BIT ADAPTER - Adapter insert

1212600

<https://www.phoenixcontact.com/us/products/1212600>



Adapter bit for TSD-M...torque tools, E6.3-1/4" drive with 4 mm hexagon to accommodate SAC bits

B-STIFT - Marker pen

1051993

<https://www.phoenixcontact.com/us/products/1051993>



Marker pen, for manual labeling of unprinted Zack strips, smear-proof and waterproof, line thickness 0.5 mm

Phoenix Contact 2024 © - all rights reserved
<https://www.phoenixcontact.com>

Phoenix Contact USA
586 Fulling Mill Road
Middletown, PA 17057, United States
(+717) 944-1300
info@phoenixcon.com