

SAC-4P-M12MRT/ 0,5-PUR/FRT SH - Power cable



1102085

<https://www.phoenixcontact.com/us/products/1102085>

Please be informed that the data shown in this PDF document is generated from our online catalog. Please find the complete data in the user documentation. Our general terms of use for downloads are valid.



Power cable, 4-position, PUR halogen-free, black RAL 9005, shielded (Tinned copper-braided shield, approx. 85% covering), Advanced Shielding Technology, Plug angled M12, coding: T, on Socket angled M12, coding: T, cable length: 0.5 m, For direct current up to 12 A/63 V

Your advantages

- Easy and safe: 100 % electrically tested plug-in components
- Protection against incorrect connection using special T-coding
- Shield power reliably – 360° shielding to reduce electromagnetic loads
- Our standard: robust halogen-free PUR cable

Commercial data

Item number	1102085
Packing unit	1 pc
Minimum order quantity	1 pc
Note	Made to order (non-returnable)
Sales key	BF05
Product key	BF1CCQ
GTIN	4055626962344
Weight per piece (including packing)	22.22 g
Weight per piece (excluding packing)	22.22 g
Customs tariff number	85444290
Country of origin	US

Technical data

Product properties

Product type	Power cable
Application	Power supply
Number of positions	4
No. of cable outlets	1
Shielded	yes
Coding	T

Insulation characteristics

Overvoltage category	III
Degree of pollution	3

Material specifications

Flammability rating according to UL 94	V0
Material of grip body	PP
Contact material	CuZn
Contact surface material	Ni/Au
Contact carrier material	PA
Material for screw connection	Zinc die-cast, nickel-plated

Electrical properties

Insulation resistance	$\geq 100 \text{ M}\Omega$
Nominal voltage U_N	63 V DC
Nominal current I_N	12 A

Mechanical properties

Mechanical data

Insertion/withdrawal cycles	> 100
-----------------------------	-------

Connector

Connection 1

Type	Plug angled M12
Coding type	T (Power)

Connection 2

Type	Socket angled M12
Coding type	T (Power)

Cable/line

Cable length	0.5 m
--------------	-------

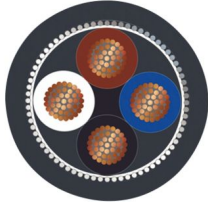
PUR halogen-free black [PUR]

SAC-4P-M12MRT/ 0,5-PUR/FRT SH - Power cable



1102085

<https://www.phoenixcontact.com/us/products/1102085>

Dimensional drawing	
Cable weight	133 kg/km
UL AWM Style	20233 / 10493 (80°C/300 V)
Number of positions	4
Shielded	yes
Cable type	PUR halogen-free black [PUR]
Conductor cross section	4x 1.5 mm ²
Wire diameter incl. insulation	2.4 mm
External cable diameter	9.70 mm ±0.3 mm
Outer sheath, material	PUR
External sheath, color	black RAL 9005
Conductor material	Bare Cu litz wires
Material wire insulation	PP
Single wire, color	brown, white, blue, black
Thickness, insulation	1.20 mm (Outer cable sheath)
Overall twist	4 wires optimally twisted
Max. conductor resistance	≤ 13.3 Ω/km (at 20 °C)
Insulation resistance	≥ 10 MΩ*km (at 20 °C)
Nominal voltage, cable	300 V AC
Test voltage	1500 V AC (5 min.)
Smallest bending radius, fixed installation	49 mm
Smallest bending radius, movable installation	73 mm
Max. bending cycles	4000000
Torsion force	± 25 °/m
Halogen-free	in accordance with DIN VDE 0472 part 815 according to IEC 60754-1
Flame resistance	in accordance with EN 60332-1-2 in acc. to UL 1581 VW1
Resistance to oil	in accordance with DIN EN 60811-2-1 According to DIN EN 50363-10-2
Ambient temperature (operation)	-40 °C ... 90 °C (cable, fixed installation) -30 °C ... 90 °C (Cable, flexible installation)

Environmental and real-life conditions

Ambient conditions

Degree of protection	IP65
----------------------	------

SAC-4P-M12MRT/ 0,5-PUR/FRT SH - Power cable



1102085

<https://www.phoenixcontact.com/us/products/1102085>

	IP67
Ambient temperature (operation)	-25 °C ... 85 °C (Plug / socket)

Standards and regulations

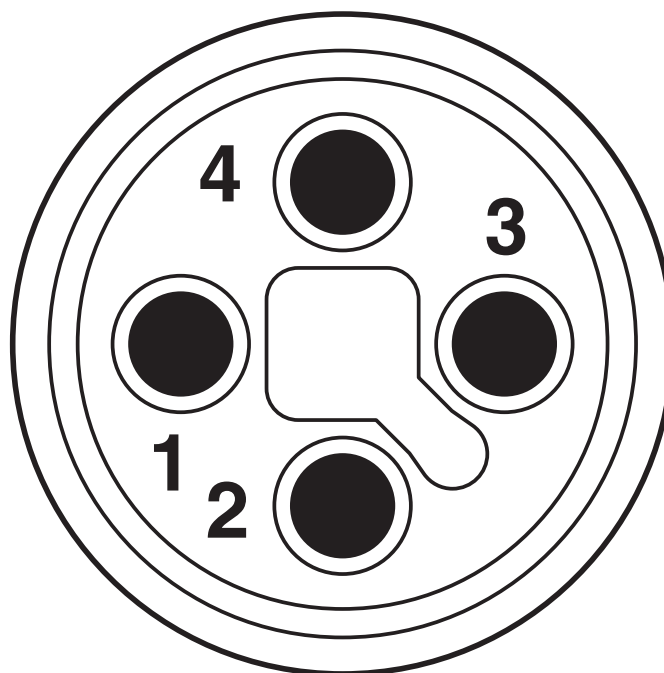
Standard designation	M12 connector
Standards/specifications	IEC 61076-2-111

1102085

<https://www.phoenixcontact.com/us/products/1102085>

Drawings

Schematic diagram



Pin assignment for M12 plug, 4-pos., T-coded, view of plug side

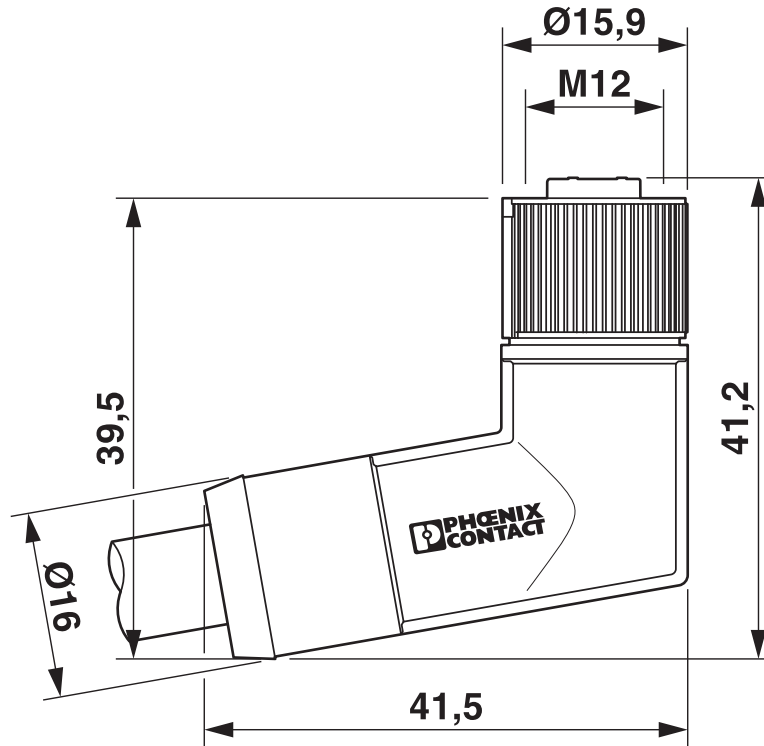
SAC-4P-M12MRT/ 0,5-PUR/FRT SH - Power cable



1102085

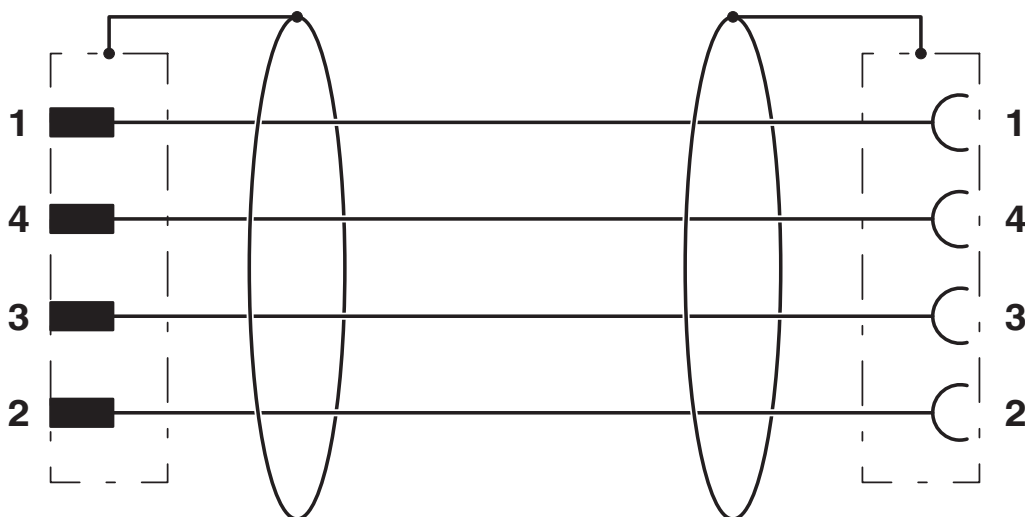
<https://www.phoenixcontact.com/us/products/1102085>

Dimensional drawing



M12 x 1 socket, angled

Circuit diagram



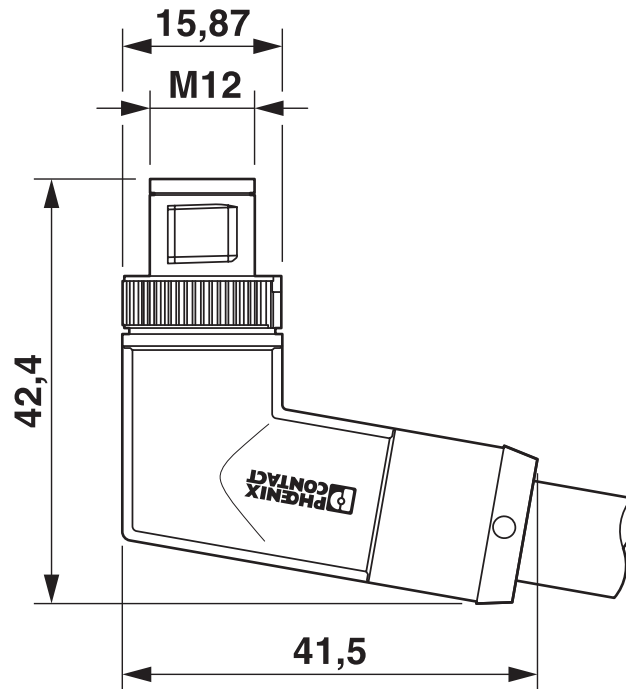
SAC-4P-M12MRT/ 0,5-PUR/FRT SH - Power cable

1102085

<https://www.phoenixcontact.com/us/products/1102085>

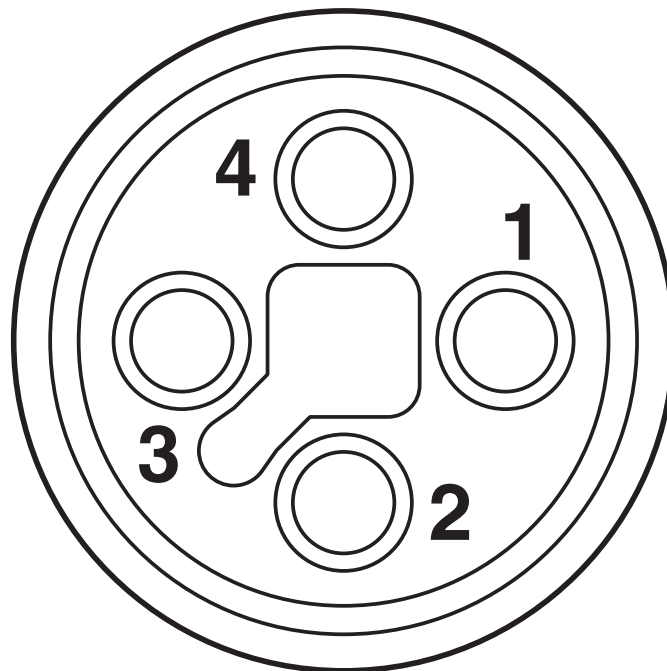


Dimensional drawing



M12 x 1 male plug, angled

Schematic diagram



Pin assignment of M12 socket, 4-pos., T-coded, socket side view

SAC-4P-M12MRT/ 0,5-PUR/FRT SH - Power cable



1102085

<https://www.phoenixcontact.com/us/products/1102085>

Classifications

ECLASS

ECLASS-11.0	27060311
ECLASS-12.0	27060311
ECLASS-13.0	27060327

ETIM

ETIM 8.0	EC001855
----------	----------

UNSPSC

UNSPSC 21.0	26121600
-------------	----------

SAC-4P-M12MRT/ 0,5-PUR/FRT SH - Power cable



1102085

<https://www.phoenixcontact.com/us/products/1102085>

Environmental product compliance

EU RoHS

Fulfills EU RoHS substance requirements	Yes, No exemptions
---	--------------------

China RoHS

Environment friendly use period (EFUP)	EFUP-E
	No hazardous substances above the limits

EU REACH SVHC

REACH candidate substance (CAS No.)	No substance above 0.1 wt%
-------------------------------------	----------------------------

SAC-4P-M12MRT/ 0,5-PUR/FRT SH - Power cable



1102085

<https://www.phoenixcontact.com/us/products/1102085>

Accessories

PROT-M12 MS-PA-CHAIN - Screw plug

1430899

<https://www.phoenixcontact.com/us/products/1430899>

M12 sealing cap with fixing band, for sensor cables, for free M12 sockets



UCT-WMT (23X4) - Conductor marker

0801453

<https://www.phoenixcontact.com/us/products/0801453>

Conductor marker, Sheet, white, unlabeled, can be labeled with: TOPMARK NEO, TOPMARK LASER, BLUEMARK ID COLOR, BLUEMARK ID, BLUEMARK CLED, THERMOMARK PRIME, THERMOMARK CARD 2.0, THERMOMARK CARD, mounting type: insert, cable diameter range: 1.5 ... 35 mm, lettering field size: 23 x 4 mm, Number of individual labels: 30



SAC-4P-M12MRT/ 0,5-PUR/FRT SH - Power cable



1102085

<https://www.phoenixcontact.com/us/products/1102085>

UC-WMT (23X4) - Conductor marker

0819411

<https://www.phoenixcontact.com/us/products/0819411>



Conductor marker, Sheet, white, unlabeled, can be labeled with: BLUEMARK ID COLOR, BLUEMARK ID, BLUEMARK CLED, PLOTMARK, CMS-P1-PLOTTER, mounting type: insert, cable diameter range: 1.5 ... 35 mm, lettering field size: 23 x 4 mm, Number of individual labels: 24

US-WMT (23X4) - Cable marker

0828769

<https://www.phoenixcontact.com/us/products/0828769>



Cable marker, Card, white, unlabeled, can be labeled with: BLUEMARK ID COLOR, BLUEMARK ID, THERMOMARK PRIME, THERMOMARK CARD 2.0, THERMOMARK CARD, mounting type: slide-on, cable diameter range: 1.5 ... 35 mm, lettering field size: 23 x 4 mm, Number of individual labels: 56

SAC-4P-M12MRT/ 0,5-PUR/FRT SH - Power cable



1102085

<https://www.phoenixcontact.com/us/products/1102085>

WMTW (23X4)R - Cable marker

0831004

<https://www.phoenixcontact.com/us/products/0831004>



Cable marker, Roll, white, unlabeled, can be labeled with: THERMOMARK E.300 (D)/600 (D), THERMOMARK ROLL 2.0, THERMOMARK ROLL, THERMOMARK ROLL X1, THERMOMARK ROLLMASTER 300/600, THERMOMARK X1.2, mounting type: insert, cable diameter range: 1.5 ... 35 mm, lettering field size: 23 x 4 mm, Number of individual labels: 3000

PROT-M12 FS-PA-CHAIN - Sealing cap

1430873

<https://www.phoenixcontact.com/us/products/1430873>



M12 sealing cap made of plastic with fixing band, for sensor cables, for free M12 plugs

SAC-4P-M12MRT/ 0,5-PUR/FRT SH - Power cable



1102085

<https://www.phoenixcontact.com/us/products/1102085>

PROT-M12 FS - Sealing cap

1560251

<https://www.phoenixcontact.com/us/products/1560251>



M12 sealing cap for unoccupied M12 plugs of the sensor/actuator cable, flush-type plugs and I/O devices in the field

SAC BIT M12-D16 - Tool

1200305

<https://www.phoenixcontact.com/us/products/1200305>



Nut for assembling sensor/actuator cables with M12 connector and M12 connectors for assembly, knurl diameter: 16 mm, for 4 mm hexagonal drive

SAC-4P-M12MRT/ 0,5-PUR/FRT SH - Power cable



1102085

<https://www.phoenixcontact.com/us/products/1102085>

TSD 04 SAC - Torque screwdriver

1208429

<https://www.phoenixcontact.com/us/products/1208429>



Torque screwdriver, with preset torque of 0.4 Nm and 4 mm hexagonal drive for M12 connectors

TSD-M 1,2NM - Torque screwdriver

1212224

<https://www.phoenixcontact.com/us/products/1212224>



Torque screw driver, accuracy as per EN ISO 6789 standard, adjustable from 0.3 - 1.2 Nm

SAC-4P-M12MRT/ 0,5-PUR/FRT SH - Power cable



1102085

<https://www.phoenixcontact.com/us/products/1102085>

TSD-M SAC-BIT ADAPTER - Adapter insert

1212600

<https://www.phoenixcontact.com/us/products/1212600>



Adapter bit for TSD-M...torque tools, E6.3-1/4" drive with 4 mm hexagon to accommodate SAC bits

B-STIFT - Marker pen

1051993

<https://www.phoenixcontact.com/us/products/1051993>



Marker pen, for manual labeling of unprinted Zack strips, smear-proof and waterproof, line thickness 0.5 mm

Phoenix Contact 2024 © - all rights reserved
<https://www.phoenixcontact.com>

Phoenix Contact USA
586 Fulling Mill Road
Middletown, PA 17057, United States
(+717) 944-1300
info@phoenixcon.com